



Catalog Number: 4448-GHC1-NK  
Item Description: N1 HINGE CVR GUTTER NK  
UPC Code: 784572106574

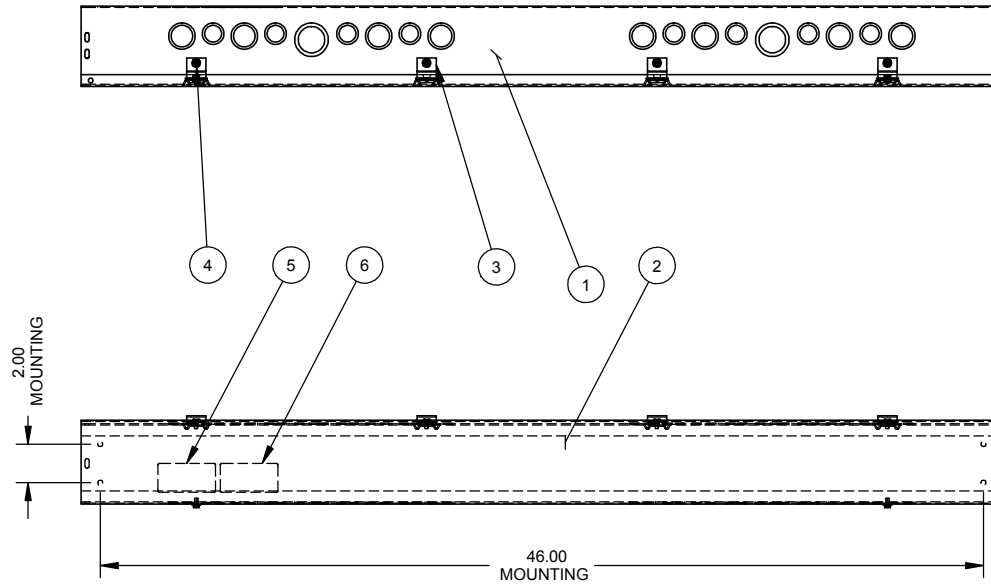
Brand Name: Milbank  
Type: Lay In Wireway  
Application: Wireway  
Standard: UL Listed, Type 1  
Cover Type: Hinge Cover  
Enclosure: Indoor Enclosure  
Nominal Cross Section: 4x4  
Straight Section Length: 48  
Material: Steel with Powder Coat Finish  
Finish: ANSI 61 Gray  
Knockouts: False



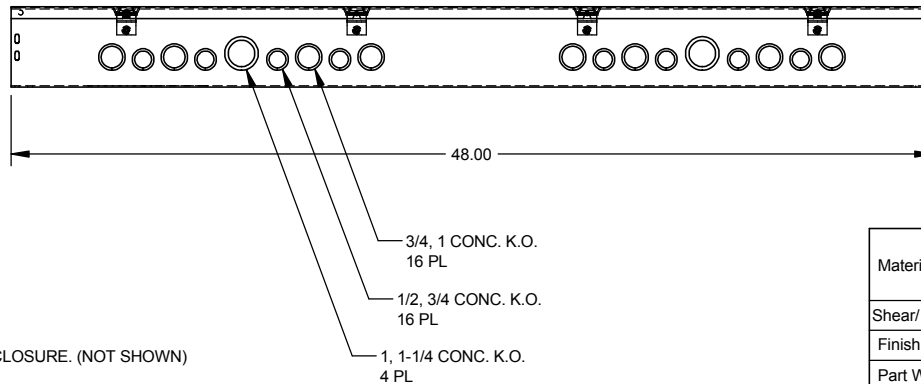
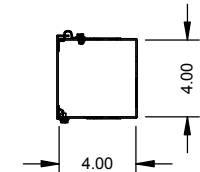
*Utility requirements may vary. Always consult the serving utility for their requirements prior to ordering or installing this equipment. This product must always be installed by a licensed electrician. Installation of this equipment may require local electrical inspector approval.*

CATALOG#	LABEL#
4448-GHC1(-)	1002943
RC-4448-GHC1(-)	1125051
SPH-444(-)	1132575

NO	QTY.	PART NO.	DESCRIPTION
1	1	(SEE CHART)	BACK
2	1	(SEE CHART)	TOP
3	4	1003198	HINGE
4	6	1001290	SCREW, 10-32 X 5/16
5	1	(SEE CHART)	UL LABEL, WIREWAY
6	1	1002900	LABEL, WIREWAY FITTING
7	2	1002880	BAG ASSY (NOT SHOWN)
8	1	1003085	PAD (NOT SHOWN)


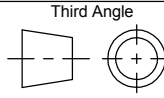


SUFFIX	BACK #	COVER #
-SU	1092091	1092092
-SUC	1128794	1128776
-SO	1094545	1094546
-SUNK	1105660	1092092
-NK	1128795	1094546
-SUNKC	1128796	1128776



SUFFIX	FINISH
NONE	PAINTED
-NP	NOT PAINTED

NOTE:  
1. PLACE BAG ASSY INSIDE ENCLOSURE. (NOT SHOWN)

Material: 16 GA. - SEE CHART		 General Offices: Kansas City, MO
Shear/ Die#:		
Finish:	SEE CHART	Title: HINGE COVER WIREWAY 4 x 4 x 48, TYPE 1 NEMA ENCLOSURE
Part Wt.:		Catalog No.: (SEE CHART)
Tolerances: Unless Specified Otherwise X.X ±.1 X.XX ±.03 X.XXX ±.015 X* ±2*		Customer: MILBANK STANDARD
Third Angle 		Drawing No.: 1004259-11
Scale: NTS	Checked By:	Date: 05/09/02
Drawn By: DY	Approved By:	Sheet 1 of 1

REV.	DATE	DESCRIPTION	BY
F	2/17/14	UPDATED DWG TO M2K NUMBER WAS 354-11 eECR2718	AJS
D1	4/9/08	ADDED CHART & REMOVED NOTE #2 (ECO.17139)	JLT
E	1/24/2014	Reduced qty of line 7 from 3 to 2 eECR2692	AJS



Catalog Number: 4448-GHC1-NK  
Item Description: N1 HINGE CVR GUTTER NK  
UPC Code: 784572106574

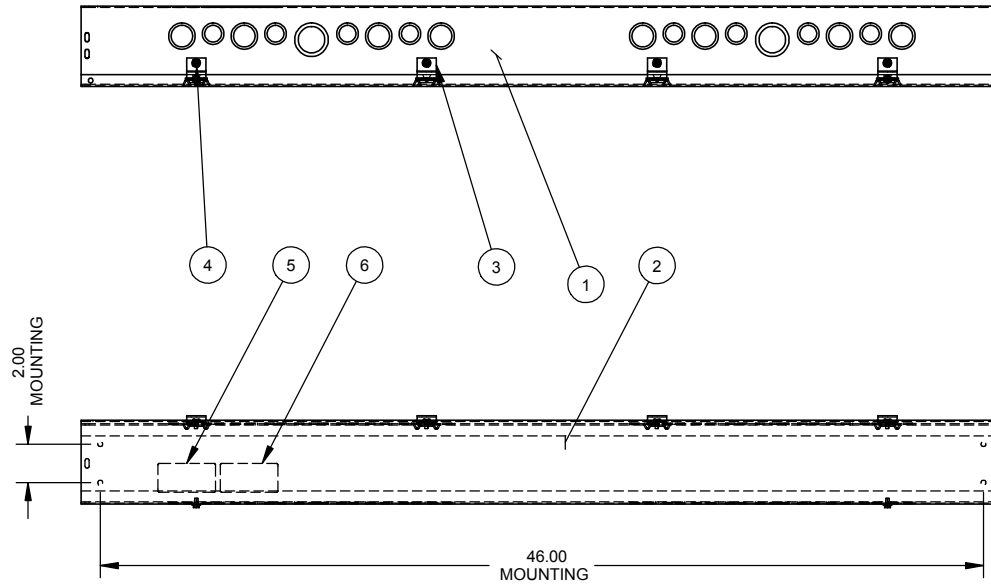
Brand Name: Milbank  
Type: Lay In Wireway  
Application: Wireway  
Standard: UL Listed, Type 1  
Cover Type: Hinge Cover  
Enclosure: Indoor Enclosure  
Nominal Cross Section: 4x4  
Straight Section Length: 48  
Material: Steel with Powder Coat Finish  
Finish: ANSI 61 Gray  
Knockouts: False



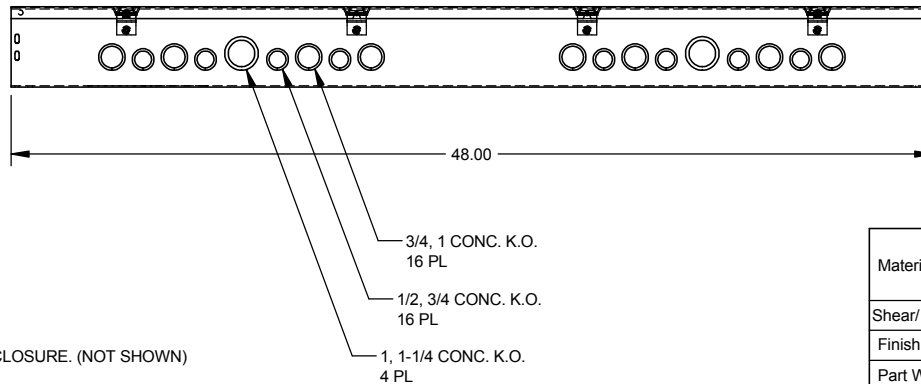
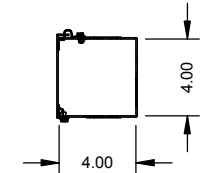
*Utility requirements may vary. Always consult the serving utility for their requirements prior to ordering or installing this equipment. This product must always be installed by a licensed electrician. Installation of this equipment may require local electrical inspector approval.*

CATALOG#	LABEL#
4448-GHC1(-)	1002943
RC-4448-GHC1(-)	1125051
SPH-444(-)	1132575

NO	QTY.	PART NO.	DESCRIPTION
1	1	(SEE CHART)	BACK
2	1	(SEE CHART)	TOP
3	4	1003198	HINGE
4	6	1001290	SCREW, 10-32 X 5/16
5	1	(SEE CHART)	UL LABEL, WIREWAY
6	1	1002900	LABEL, WIREWAY FITTING
7	2	1002880	BAG ASSY (NOT SHOWN)
8	1	1003085	PAD (NOT SHOWN)


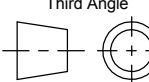


SUFFIX	BACK #	COVER #
-SU	1092091	1092092
-SUC	1128794	1128776
-SO	1094545	1094546
-SUNK	1105660	1092092
-NK	1128795	1094546
-SUNKC	1128796	1128776



NOTE:  
1. PLACE BAG ASSY INSIDE ENCLOSURE. (NOT SHOWN)

SUFFIX	FINISH
NONE	PAINTED
-NP	NOT PAINTED

Material:	16 GA. - SEE CHART		 General Offices: Kansas City, MO	
Shear/ Die#:				
Finish:	SEE CHART			
Part Wt.:				
Tolerances: Unless Specified Otherwise X.X ±.1 X.XX ±.03 X.XXX ±.015 X* ±2*		Third Angle 		
Title:	HINGE COVER WIREWAY 4 x 4 x 48, TYPE 1 NEMA ENCLOSURE		Catalog No.:	(SEE CHART)
Customer:	MILBANK STANDARD		Drawing No.:	1004259-11
Date:	05/09/02	Sheet	1 of 1	

REV.	DATE	DESCRIPTION	BY
F	2/17/14	UPDATED DWG TO M2K NUMBER WAS 354-11 eECR2718	AJS
D1	4/9/08	ADDED CHART & REMOVED NOTE #2 (ECO.17139)	JLT
E	1/24/2014	Reduced qty of line 7 from 3 to 2 eECR2692	AJS