



Catalog Number: 4436-GSC3R-NK
Item Description: N3R SCREW CVR GUTTER NK
UPC Code: 784572106499

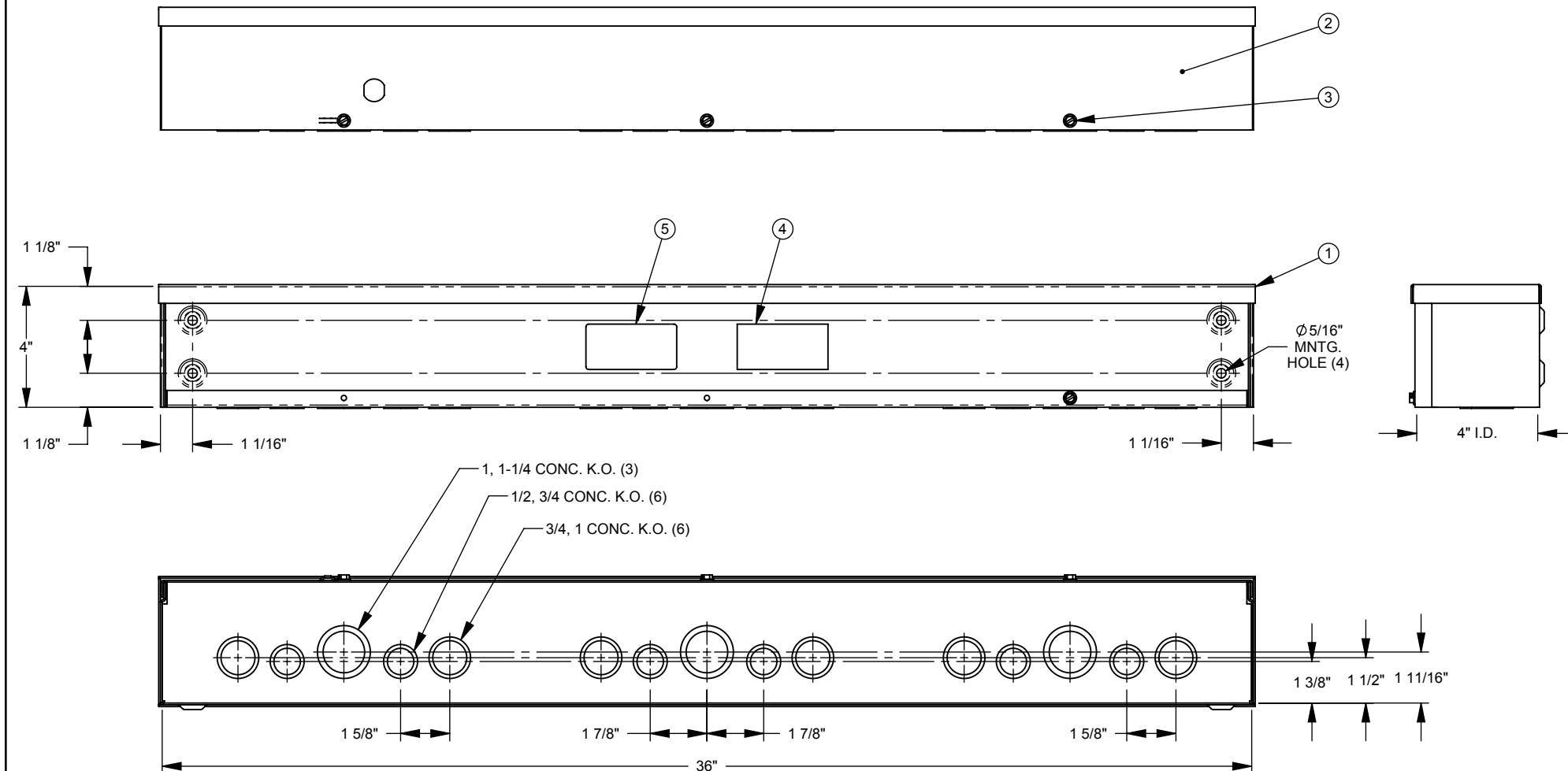
Brand Name: Milbank
Type: Wiring Trough
Special Features: Key Locking Cylinder Latch Provision,
Sealing Eye Lance
Application: Wireway
Standard: UL Listed, Type 3R
Cover Type: Screw Cover
Enclosure: Outdoor Enclosure
Nominal Cross Section: 4x4
Straight Section Length: 36
Material: Steel with Powder Coat Finish
Finish: ANSI 61 Gray
Knockouts: False


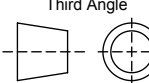


Utility requirements may vary. Always consult the serving utility for their requirements prior to ordering or installing this equipment. This product must always be installed by a licensed electrician. Installation of this equipment may require local electrical inspector approval.

CAT. NO.	U/L LABEL
4436-GSC3R	1002943
RC-4436-GSC3R	1125051
SPRSCG-4436	1132575

ITEM	QTY.	PART NUMBER	DESCRIPTION
1	1	1153003	BACK WELDMENT
2	1	1004405	FRONT
3	3	1001290	SCREW, 10-32 X 5/16
4	1	1002898	LABEL, RATING 4x4 GSC3R
5	1	(SEE CHART)	UL LABEL, WIREWAY
6	1	1003085	PAD (NOT SHOWN)



Material:		16 GA. GALV. STEEL		 General Offices: Kansas City, MO	
Shear/ Die#:					
Finish:		MILBANK LIGHT GRAY		Title: SCREW COVER WIREWAY NEMA TYPE 3R	
Part Wt.:				Catalog No.: (SEE CHART)	
Tolerances:		Third Angle		Customer:	
Unless Specified Otherwise				Drawing No.: 270	
X.X ±.1				Date: 5/6/11	
X.XX ±.03				Sheet 1 of 1	
X.XXX ±.015					
X* ±2*					
Scale: NTS		Checked By:			
Drawn By: D.F.		Approved By:			
REV.	DATE	DESCRIPTION		BY	
B	5/6/11	REDRAW INTO SOLIDWORKS; UPDATE K.O. PATTERN; 1004405 WAS 1010725 (ECO #20576)		D.F.	
C	8/12/11	ADD #1003085 PAD WITH SLIT (mECO#21106)		JLT	



Catalog Number: 4436-GSC3R-NK
Item Description: N3R SCREW CVR GUTTER NK
UPC Code: 784572106499

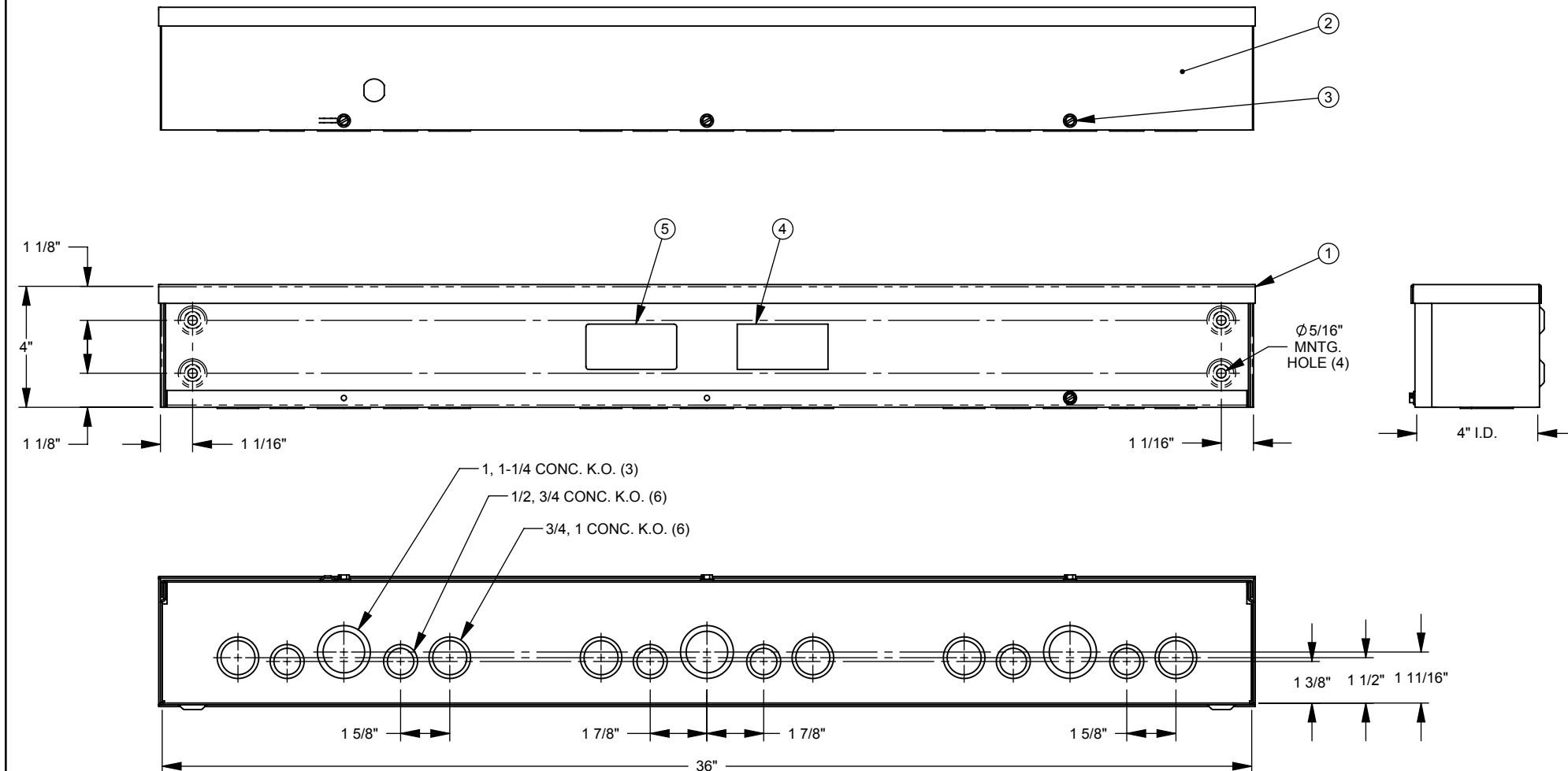
Brand Name: Milbank
Type: Wiring Trough
Special Features: Key Locking Cylinder Latch Provision,
Sealing Eye Lance
Application: Wireway
Standard: UL Listed, Type 3R
Cover Type: Screw Cover
Enclosure: Outdoor Enclosure
Nominal Cross Section: 4x4
Straight Section Length: 36
Material: Steel with Powder Coat Finish
Finish: ANSI 61 Gray
Knockouts: False




Utility requirements may vary. Always consult the serving utility for their requirements prior to ordering or installing this equipment. This product must always be installed by a licensed electrician. Installation of this equipment may require local electrical inspector approval.

CAT. NO.	U/L LABEL
4436-GSC3R	1002943
RC-4436-GSC3R	1125051
SPRSCG-4436	1132575

ITEM	QTY.	PART NUMBER	DESCRIPTION
1	1	1153003	BACK WELDMENT
2	1	1004405	FRONT
3	3	1001290	SCREW, 10-32 X 5/16
4	1	1002898	LABEL, RATING 4x4 GSC3R
5	1	(SEE CHART)	UL LABEL, WIREWAY
6	1	1003085	PAD (NOT SHOWN)



REV.	DATE	DESCRIPTION	BY
B	5/6/11	REDRAW INTO SOLIDWORKS; UPDATE K.O. PATTERN; 1004405 WAS 1010725 (ECO #20576)	D.F.
C	8/12/11	ADD #1003085 PAD WITH SLIT (mECO#21106)	JLT

Material:	16 GA. GALV. STEEL	 General Offices: Kansas City, MO
Shear/ Die#:		
Finish:	MILBANK LIGHT GRAY	
Part Wt.:		
Tolerances: Unless Specified Otherwise X.X ±.1 X.XX ±.03 X.XXX ±.015 X* ±2*		Title: SCREW COVER WIREWAY NEMA TYPE 3R Catalog No.: (SEE CHART) Customer:
Scale: NTS Drawn By: D.F.		Checked By: Approved By:
		Drawing No.: 270 Date: 5/6/11 Sheet 1 of 1