



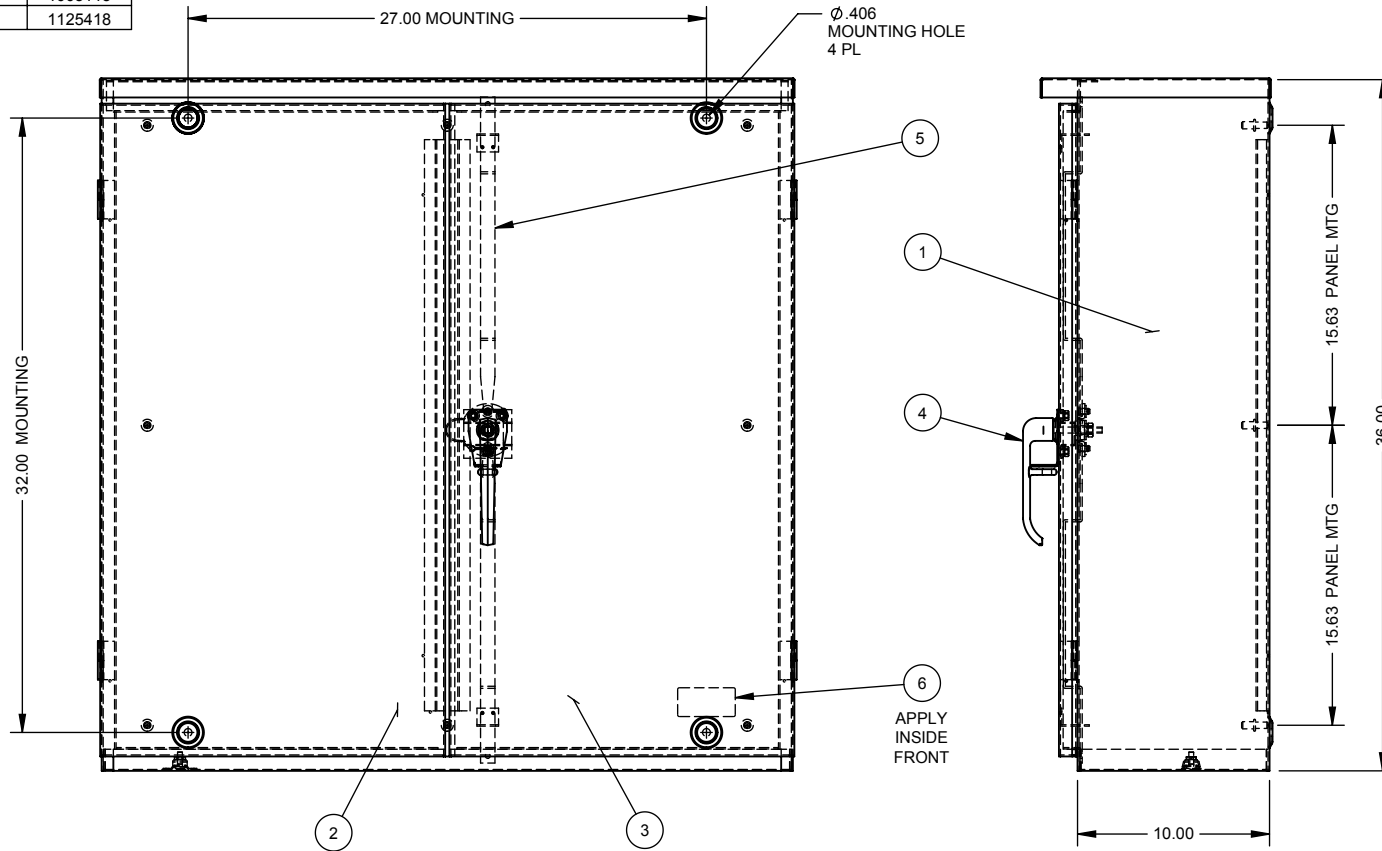
Catalog Number: 363610-CT3R  
Item Description: CT3R HINGED PADLCKBL ENCL  
UPC Code: 784572173682

Brand Name: Milbank  
Type: Hinge Cover  
Special Features: Double Door  
Application: Current Transformer Enclosure  
Standard: UL Listed  
Material: Steel with Powder Coat Finish  
Cable Entry: No Knockouts  
Mounting: Pad Mount, Wall Mount  
NEMA Rating: Type 3R



*Utility requirements may vary. Always consult the serving utility for their requirements prior to ordering or installing this equipment. This product must always be installed by a licensed electrician. Installation of this equipment may require local electrical inspector approval.*

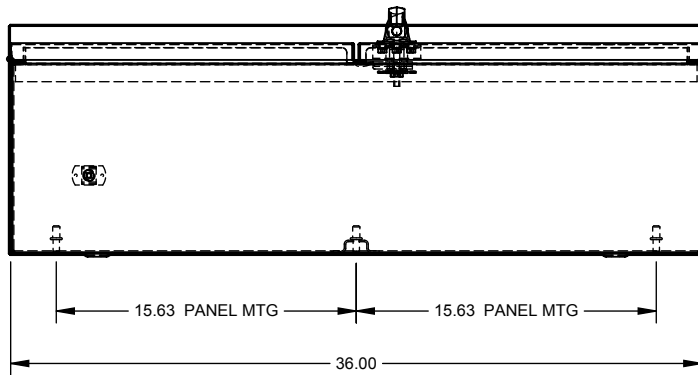
PREFIX	LABEL NO.
NONE	1003115
RC-	1125418



NO.	QTY.	PART NO.	DESCRIPTION
1	1	1155725	BACK WELDMENT
2	1	1004553	FRONT WELDMENT, LEFT
3	1	1004554	FRONT WELDMENT, RIGHT
4	1	1004575	ASSY, 3PT LATCH, PADLCKBL
5	2	814460	LATCH SLIDE
6	1	(SEE CHART)	LABEL (UL)
7	2	1002169	BAG ASSY (NOT SHOWN)

NOTES:

- 1) PACK INSIDE ENCLOSURE (NOT SHOWN).
- 2. FOR CATALOG NUMBERS WITH -PI SUFFIX INSTALL PANEL #1096550 USING BAG ASSEMBLY IN B.O.M.
- 3. FOR CATALOG NUMBERS WITH -WB SUFFIX INSTALL PANEL #1002359 USING BAG ASSEMBLY IN B.O.M.
- 4. USE CARTON #1002995 FOR SHIPPING.



NEMA DWG.: #847

Material:	GALV. STEEL		General Offices: Kansas City, MO												
Finish:	MILBANK LIGHT GRAY														
Tolerances: Unless Specified Otherwise X.X ±.1 X.XX ±.03 X.XXX ±.015 X° ±2°		Third Angle 	Title:	36 x 36 x 10, 2 DOOR TYPE 3R, FREE STANDING											
			Catalog No.:	363610-CT3R-( )											
			Customer:	MILBANK STANDARD											
			Drawing No.:	<b>1004194</b>											
C	12-12-02	REDESIGNED - PDR 2948	DR	C2	10/4/11	UPDATE TO M2K (ECO #21396)	D.F.	Scale:	NTS	Checked By:		Date:	12-12-02	Sheet	1 of 1
C1	9-19-06	mECO #15183, ADDED NOTE #5.	CMW					Drawn By:	DR	Approved By:					



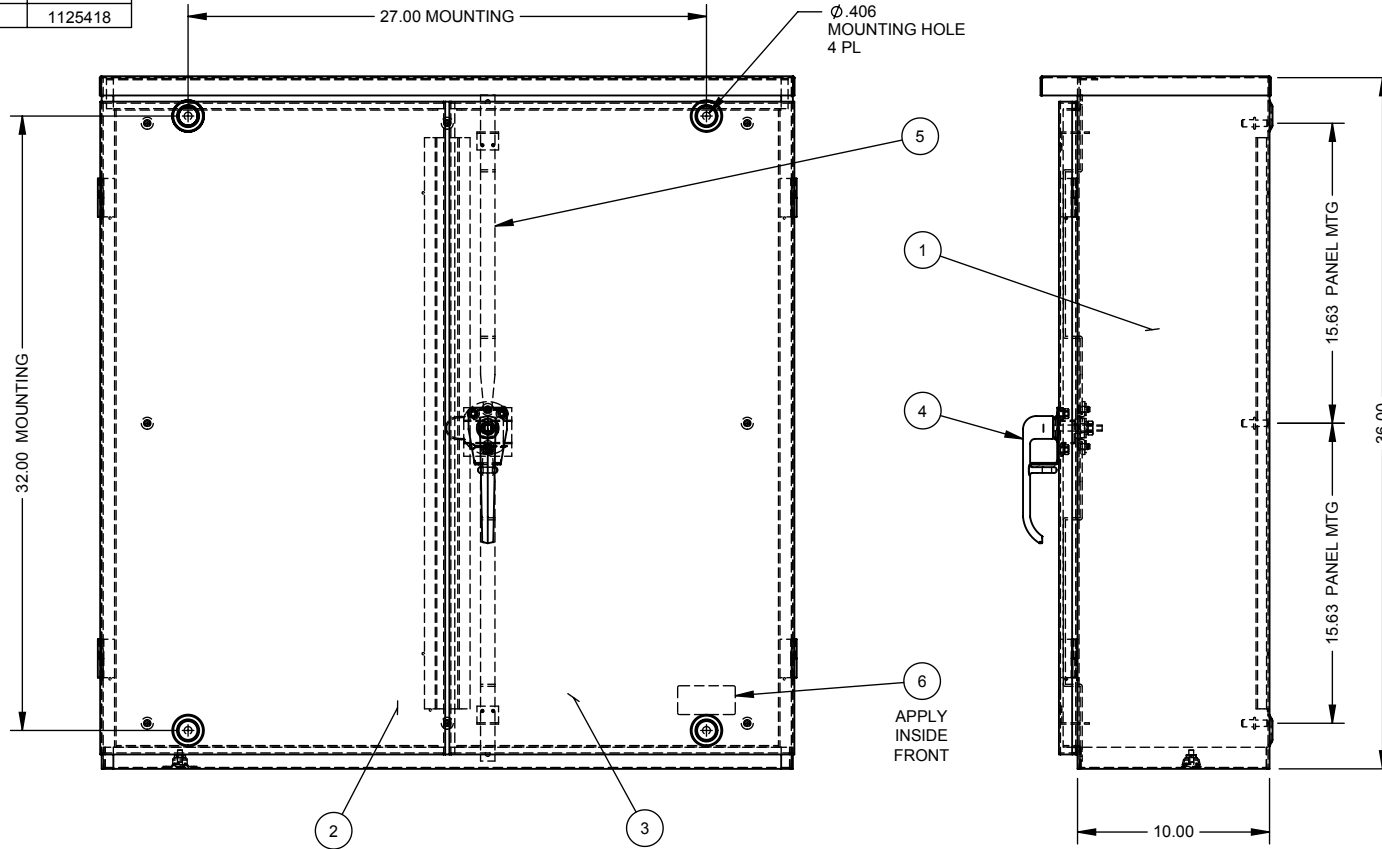
Catalog Number: 363610-CT3R  
Item Description: CT3R HINGED PADLCKBL ENCL  
UPC Code: 784572173682

Brand Name: Milbank  
Type: Hinge Cover  
Special Features: Double Door  
Application: Current Transformer Enclosure  
Standard: UL Listed  
Material: Steel with Powder Coat Finish  
Cable Entry: No Knockouts  
Mounting: Pad Mount, Wall Mount  
NEMA Rating: Type 3R



*Utility requirements may vary. Always consult the serving utility for their requirements prior to ordering or installing this equipment. This product must always be installed by a licensed electrician. Installation of this equipment may require local electrical inspector approval.*

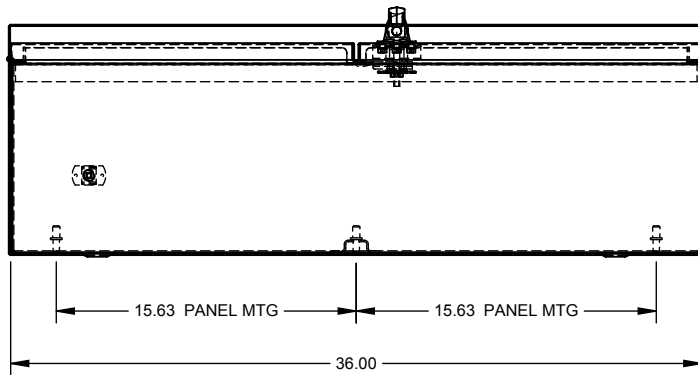
PREFIX	LABEL NO.
NONE	1003115
RC-	1125418



NO.	QTY.	PART NO.	DESCRIPTION
1	1	1155725	BACK WELDMENT
2	1	1004553	FRONT WELDMENT, LEFT
3	1	1004554	FRONT WELDMENT, RIGHT
4	1	1004575	ASSY, 3PT LATCH, PADLCKBL
5	2	814460	LATCH SLIDE
6	1	(SEE CHART)	LABEL (UL)
7	2	1002169	BAG ASSY (NOT SHOWN)

NOTES:

- 1) PACK INSIDE ENCLOSURE (NOT SHOWN).
- 2. FOR CATALOG NUMBERS WITH -PI SUFFIX INSTALL PANEL #1096550 USING BAG ASSEMBLY IN B.O.M.
- 3. FOR CATALOG NUMBERS WITH -WB SUFFIX INSTALL PANEL #1002359 USING BAG ASSEMBLY IN B.O.M.
- 4. USE CARTON #1002995 FOR SHIPPING.



NEMA DWG.: #847

Material:	GALV. STEEL		General Offices: Kansas City, MO												
Finish:	MILBANK LIGHT GRAY														
Tolerances: Unless Specified Otherwise X.X ±.1 X.XX ±.03 X.XXX ±.015 X° ±2°		Third Angle 	Title:	36 x 36 x 10, 2 DOOR TYPE 3R, FREE STANDING											
			Catalog No.:	363610-CT3R-( )											
			Customer:	MILBANK STANDARD											
			Drawing No.:	<b>1004194</b>											
C	12-12-02	REDESIGNED - PDR 2948	DR	C2	10/4/11	UPDATE TO M2K (ECO #21396)	D.F.	Scale:	NTS	Checked By:		Date:	12-12-02	Sheet	1 of 1
C1	9-19-06	mECO #15183, ADDED NOTE #5.	CMW					Drawn By:	DR	Approved By:					