

Buzzers

Vibrating

340A Series



Edwards 340A Series vibrating buzzers are heavy duty buzzers that mount directly on a solid surface or electrical box.

Features and Specifications

- AC models are volume adjustable
- Vibrating armature
- Convenient plug-in connection
- Corrosion resistant heat flowed epoxy finish
- UL and FM Approved (**AC buzzers only**)

Ordering Information

| Description | Cat. No. | Operating Voltage ¹ | Current | VA | dB at 1m/10ft. | DC Coil Res (Ohms) |
|-------------|----------|--------------------------------|---------|-----|----------------|--------------------|
| AC | 340A-G5 | 24V AC | 0.250 A | 6.0 | 80/70 | 28 |
| | 340A-N5 | 120V AC | 0.050 A | 6.0 | 80/70 | 725 |
| | 340A-R5 | 240V AC | 0.025 A | 6.0 | 80/70 | 2900 |
| DC | 343A-E1 | 12V DC | 0.330 A | 4.0 | 72/62 | 9.4 |
| | 343A-G1 | 24V DC | 0.150 A | 3.6 | 72/62 | 28 |
| | 343A-M1 | 75V DC | 0.065 A | 4.9 | 72/62 | 360 |
| | 343A-P1 | 125V DC | 0.070 A | 8.8 | 72/62 | 1000 |

¹AC voltage frequency is 50/60 Hz.

Weights and Dimensions

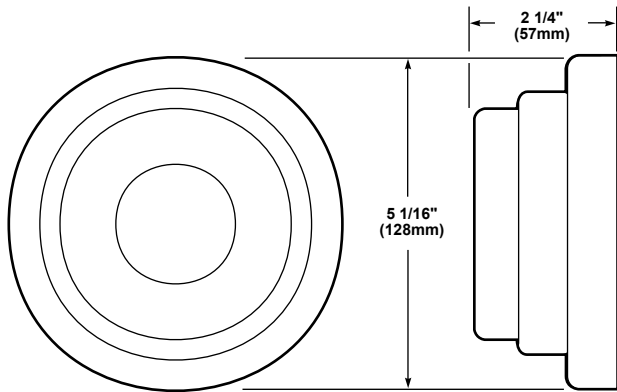
| Cat. No. | Approx. Net Weight (lb.) | Approx. Shipping Weight (lb.) | Dimensions | | | | |
|----------|--------------------------|-------------------------------|------------|-------|-------------|--------|--------|
| | | | Diameter | Depth | Width | Height | Length |
| 340A-G5 | 1.64 | 1.80 | | | See Drawing | | |
| 340A-N5 | 1.64 | 1.80 | | | See Drawing | | |
| 340A-R5 | 1.64 | 1.80 | | | See Drawing | | |
| 343A-E1 | 1.64 | 1.80 | | | See Drawing | | |
| 343A-G1 | 1.64 | 1.80 | | | See Drawing | | |
| 343A-M1 | 1.64 | 1.80 | | | See Drawing | | |
| 343A-P1 | 1.64 | 1.80 | | | See Drawing | | |



Buzzers

Vibrating

340A Series



NOTE: Mounts directly on any single-gang box, 3 1/4" (83mm), 3 1/2" (89mm), or 4" (102mm) octagon box. Buzzer plugs into receptacle on mounting plate.