

---

 TECHNICAL DATA SHEET

# Extension ring, universal 2-gang

## Weatherproof

### Red Dot®



Rugged extension ring to accept wiring devices, switches, electronic components, and terminal blocks.

#### Certifications / Standards:




---

#### Applications:

- Dry-Tite™ extension ring provides additional wiring space for weatherproof boxes

---

#### Features:

- Two-gang design
- 18.3 Cu.In internal volume
- Die-cast construction
- Suitable for wet locations when used with appropriate cover
- Clean cover edges provide good gasket sealing
- Gasket and screws are included

---

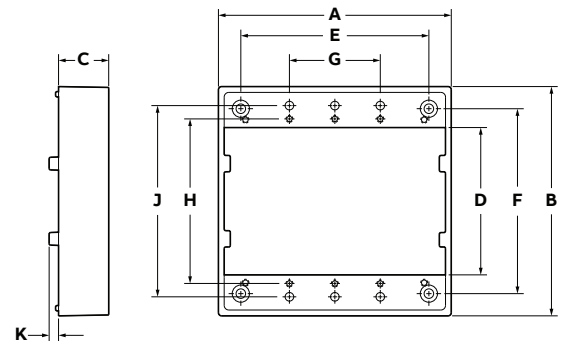
#### Materials:

- Aluminum alloy A380
- Powder-coated finish

---

#### Compliances:

- NEMA 3R rated




---

#### Product selection

| Part no.   | A     | B     | C     | D     | E     | F     | G     | H     | J     | K     |
|------------|-------|-------|-------|-------|-------|-------|-------|-------|-------|-------|
| 2IHE/S450E | 4.64" | 4.57" | 1.00" | 2.94" | 3.75" | 3.69" | 1.81" | 3.28" | 3.81" | 0.19" |

Note: Product must be installed in accordance with applicable national and local electrical codes.

---

 TECHNICAL DATA SHEET

# Extension ring, universal 2-gang

## Weatherproof

### Red Dot®



Rugged extension ring to accept wiring devices, switches, electronic components, and terminal blocks.

#### Certifications / Standards:




---

#### Applications:

- Dry-Tite™ extension ring provides additional wiring space for weatherproof boxes

---

#### Features:

- Two-gang design
- 18.3 Cu.In internal volume
- Die-cast construction
- Suitable for wet locations when used with appropriate cover
- Clean cover edges provide good gasket sealing
- Gasket and screws are included

---

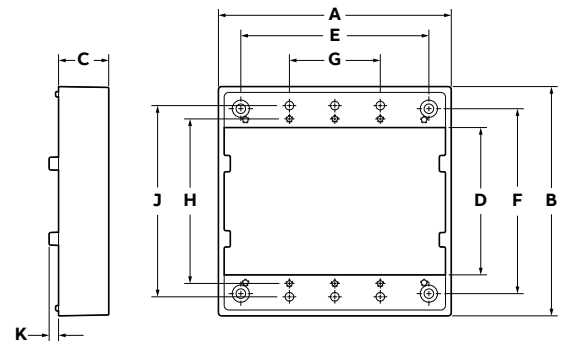
#### Materials:

- Aluminum alloy A380
- Powder-coated finish

---

#### Compliances:

- NEMA 3R rated




---

#### Product selection

| Part no.   | A     | B     | C     | D     | E     | F     | G     | H     | J     | K     |
|------------|-------|-------|-------|-------|-------|-------|-------|-------|-------|-------|
| 2IHE/S450E | 4.64" | 4.57" | 1.00" | 2.94" | 3.75" | 3.69" | 1.81" | 3.28" | 3.81" | 0.19" |

Note: Product must be installed in accordance with applicable national and local electrical codes.