

# Weatherproof metallic boxes

## Universal boxes and covers

### Single-gang

	Cat. No.	Hub size (in.)	Color	Std. ctn.
<b>Three outlets</b>				
 <b>IH3-1</b>	IH3-1	1/2	Silver	50
	IH3-2	3/4	Silver	50
	IH3-1-LM•	1/2	Silver	50
	IH3-2-LM•	3/4	Silver	50
	D-PAK			
	DIH3-1-LM•	1/2	Silver	10
	DIH3-1-LM-BR•	1/2	Bronze	10
	DIH3-1-LM-WH•	1/2	White	10
	DIH3-2-LM•	3/4	Silver	10
	B13030G	1	Silver	10
<b>Four outlets</b>				
 <b>IH4-1</b>	IH4-1	1/2	Silver	50
	IH4-2	3/4	Silver	50
	IH4-1-LM•	1/2	Silver	50
	IH4-2-LM•	3/4	Silver	50
	D-PAK			
	DIH4-1-LM•	1/2	Silver	10
	DIH4-1-LM-BR•	1/2	Bronze	10
	DIH4-1-LM-WH•	1/2	White	10
DIH4-2-LM•	3/4	Silver	10	
<b>Five outlets</b>				
 <b>IH5-1</b>	IH5-1	1/2	Silver	25
	IH5-2	3/4	Silver	25
	IH5-1-LM•	1/2	Silver	25
	IH5-2-LM•	3/4	Silver	25
	D-PAK			
	DIH5-1-LM•	1/2	Silver	10
	DIH5-2-LM•	3/4	Silver	10
<b>Five outlets (2-side)</b>				
 <b>B1501SGR</b>	B1501SGR	1/2	Silver	16
	B1502SG	3/4	Silver	25
<b>Six outlets (3-side)</b>				
 <b>IH6S2-1</b>	IH6S2-1•	1/2	Silver	25
	IH6S2-2•	3/4	Silver	25

Note: Raintight when used with appropriate Red•Dot® covers. Boxes supplied with 2 closure plugs and ground screw.  
• With mounting lugs

### Two-gang






	Cat. No.	Hub Size (in.)	Color	Std. ctn.
<b>Three outlets</b>				
 <b>2IH3-1</b>	2IH3-1•	1/2	Silver	10
	2IH3-2•	3/4	Silver	10
	D-PAK			
	D2IH3-1	1/2	Silver	6
<b>Four outlets</b>				
 <b>2IH4-1</b>	2IH4-1•	1/2	Silver	10
	2IH4-2•	3/4	Silver	10
<b>Five outlets</b>				
 <b>2IH5-1</b>	2IH5-1•	1/2	Silver	10
	2IH5-2•	3/4	Silver	10
<b>Five outlets (2-side)</b>				
 <b>2IH5S2-1</b>	2IH5S2-1•	1/2	Silver	10
	2IH5S2-2•	3/4	Silver	10
	B25D30G	1	Silver	10
<b>Seven outlets</b>				
 <b>2IH7-1</b>	2IH7-1•	1/2	Silver	10
	2IH7-2•	3/4	Silver	10
<b>Seven outlets (2-side)</b>				
 <b>2IH7S2-1</b>	2IH7S2-1•	1/2	Silver	10
	2IH7S2-2•	3/4	Silver	10

Note: Raintight when used with appropriate Red•Dot® covers. Boxes supplied with 2 closure plugs and ground screw.  
• With mounting lugs


# Weatherproof metallic boxes

## Universal boxes and covers


### Deep boxes—single- and multi-gang

	Cat. No.	Hub Size (in.)	Color	Std. ctn.
<b>Three outlets</b>				
	IHD3-1•	½	Silver	10
	IHD3-2•	¾	Silver	10
	IHD3-3•	1	Silver	10
<b>Four outlets</b>				
	IHD4-1•	½	Silver	10
	IHD4-2•	¾	Silver	10
<b>Two-gang five outlets</b>				
	2IHD5-1•	½	Silver	5
	2IHD5-2•	¾	Silver	5
	2IHD5-3•	1	Silver	5
<b>Two-gang seven outlets</b>				
	2IHD7S2-3	1	Silver	36
<b>B37D20G</b>				
	B37D20G	¾	Silver	5
	B37D30G	1	Silver	5





### Close-up plugs—zinc

	Cat. No.	Hub Size (in.)	Color	Material	Std. ctn.
	PLG-1-RD	½	Silver	Zinc	100
	PLG-2-RD	¾	Silver	Zinc	100
	PLG-3-RD	1	Silver	Zinc	100


### D-PAK®

	Cat. No.	Hub Size (in.)	Color	Material	Std. ctn.
	DPLG-1	½	Silver	Zinc	30
	DPLG-1-BR	½	Bronze	Non-metallic	75
	DPLG-1-WH	½	White	Non-metallic	75
	DPLG-2	¾	Silver	Zinc	30


### Extensions—single-gang

	Cat. No.	Hub size (in.)	Description	Color	Std. ctn.
<b>No outlets—1" deep</b>					
	IHE	N/A	Extension ring for one-gang box with gasket and screws	Silver	10
<b>Four outlets—1½" deep</b>					
	S121E-R	½	4-hole extension ring for one-gang box with 4 plugs, gasket and screws	Silver	6
<b>Two outlets, flanged—1⅞" deep add on</b>					
	IHEF2-1	½	2-hole flanged box extension adapter with 1 plug gasket and screws	Silver	5
	IHEF2-2	¾			
<b>Six outlets, flanged—1⅞" deep add on</b>					
	IHEF6S2-1	½	6-hole flanged box extension adapter with 4 plugs, gasket and screws	Silver	5
	IHEF6S2-2	¾			


### Extensions—Two-gang

	Cat. No.	Hub size (in.)	No. of Hubs	Description	Color	Std. ctn.
<b>Deep</b>						
	2IHE	N/A	0	Extension ring for two-gang boxes with gasket and screws	Silver	10

### Extensions—Round

	Cat. No.	Hub size (in.)	No. of Hubs	Description	Color	Std. ctn.
<b>Four outlets—1½" deep</b>						
	S130E	½	4	Round extension with gasket and screws	Silver	8
	SE-48	¾	4		Silver	5

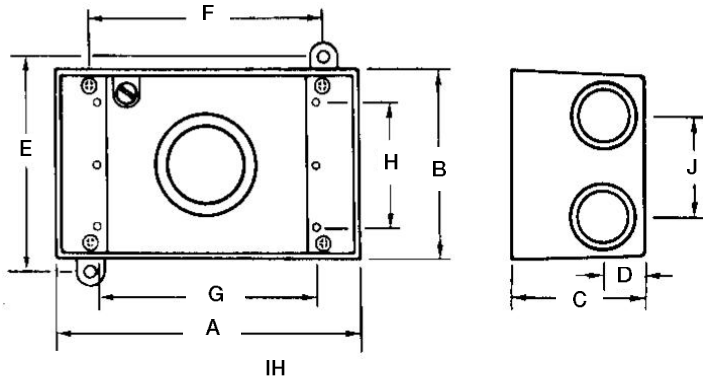
### Mounting lugs

	Cat. No.	Description	Color	Std. ctn.
	LM	2 Mounting lugs with self-tapping screws, for LM boxes only	Silver	100

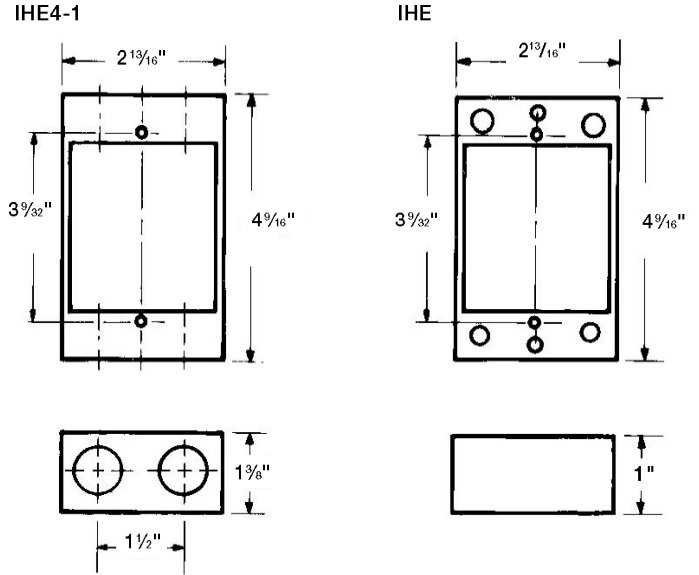
# Weatherproof metallic boxes

## Universal boxes and covers

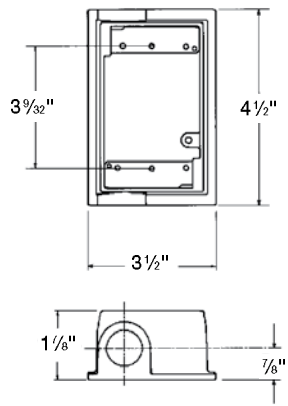
### Single-gang boxes



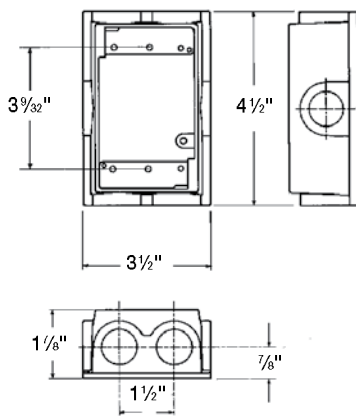
### Single-gang extension rings



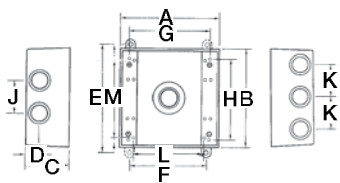
### Two-hole flanged box extension adapter IHEF2 (Add-On)



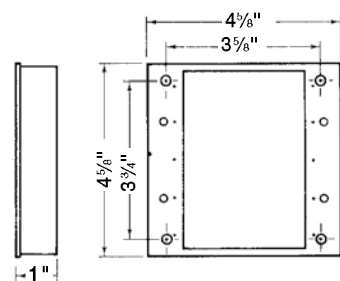
### Six-hole flanged box extension adapter IHEF6S2 (Add-On)



### Two- and three-gang boxes 2IH & 3IH



### Two-gang extension ring 2IHE



Cat. No.	Hub Size	Dimensions (in.)									
		A	B	C	D	E	F	G	H	J	CI
IH-1	$\frac{1}{2}$	$4\frac{1}{16}$	$2\frac{1}{16}$	2	$\frac{3}{8}$	—	—	$3\frac{3}{4}$	$1\frac{1}{8}$	$1\frac{1}{2}$	17.3
IH-2	$\frac{3}{4}$	$4\frac{1}{16}$	$2\frac{1}{16}$	2	$\frac{3}{8}$	—	—	$3\frac{3}{4}$	$1\frac{1}{8}$	$1\frac{1}{2}$	17.0
IH-LM-1	$\frac{1}{2}$	$4\frac{1}{16}$	$2\frac{1}{16}$	2	$\frac{3}{8}$	$3\frac{3}{16}$	$3\frac{1}{2}$	$3\frac{3}{4}$	$1\frac{1}{8}$	$1\frac{1}{2}$	17.3
IH-LM-2	$\frac{3}{4}$	$4\frac{1}{16}$	$2\frac{1}{16}$	2	$\frac{3}{8}$	$3\frac{3}{16}$	$3\frac{1}{2}$	$3\frac{3}{4}$	$1\frac{1}{8}$	$1\frac{1}{2}$	17.0
IH-S-1	$\frac{1}{2}$	$4\frac{1}{16}$	$2\frac{1}{16}$	2	$\frac{3}{8}$	$3\frac{3}{16}$	$3\frac{1}{2}$	$3\frac{3}{4}$	$1\frac{1}{8}$	$1\frac{1}{2}$	17.0
IH-S-2	$\frac{3}{4}$	$4\frac{1}{16}$	$2\frac{1}{16}$	2	$\frac{3}{8}$	$3\frac{3}{16}$	$3\frac{1}{2}$	$3\frac{3}{4}$	$1\frac{1}{8}$	$1\frac{1}{2}$	17.0
IHD3-1	$\frac{1}{2}$	$4\frac{1}{16}$	$2\frac{1}{16}$	$2\frac{5}{8}$	$\frac{5}{8}$	$3\frac{3}{16}$	$3\frac{1}{2}$	$3\frac{3}{4}$	$1\frac{1}{8}$	$1\frac{1}{2}$	24.8
IHD3-2	$\frac{3}{4}$	$4\frac{1}{16}$	$2\frac{1}{16}$	$2\frac{5}{8}$	$\frac{5}{8}$	$3\frac{3}{16}$	$3\frac{1}{2}$	$3\frac{3}{4}$	$1\frac{1}{8}$	$1\frac{1}{2}$	24.8
IHD3-3	1	$4\frac{1}{16}$	$2\frac{1}{16}$	$2\frac{5}{8}$	$\frac{3}{4}$	$3\frac{3}{16}$	$3\frac{1}{2}$	$3\frac{3}{4}$	$1\frac{1}{8}$	$1\frac{1}{2}$	23.5

Cat. No.	Dimensions (in.)												
	A	B	C	D	E	F	G	H	J	K	L	M	CI
2IH3	$4\frac{1}{16}$	$4\frac{1}{16}$	$2\frac{1}{16}$	$\frac{3}{8}$	5	$3\frac{1}{2}$	$3\frac{1}{32}$	$3\frac{3}{4}$	—	—	$3\frac{3}{4}$	$3\frac{3}{16}$	31.8
2IH4	$4\frac{1}{16}$	$4\frac{1}{16}$	$2\frac{1}{16}$	$\frac{3}{8}$	5	$3\frac{1}{2}$	$3\frac{1}{32}$	$3\frac{3}{4}$	$1\frac{1}{2}$	—	$3\frac{3}{4}$	$3\frac{3}{16}$	31.8
2IH5	$4\frac{1}{16}$	$4\frac{1}{16}$	$2\frac{1}{16}$	$\frac{3}{8}$	5	$3\frac{1}{2}$	$3\frac{1}{32}$	$3\frac{3}{4}$	$1\frac{1}{2}$	—	$3\frac{3}{4}$	$3\frac{3}{16}$	31.8
2IH5S2	$4\frac{1}{16}$	$4\frac{1}{16}$	$2\frac{1}{16}$	$\frac{3}{8}$	5	$3\frac{1}{2}$	$3\frac{1}{32}$	$3\frac{3}{4}$	—	—	$3\frac{3}{4}$	$3\frac{3}{16}$	31.8
2IH7	$4\frac{1}{16}$	$4\frac{1}{16}$	$2\frac{1}{16}$	$\frac{3}{8}$	5	$3\frac{1}{2}$	$3\frac{1}{32}$	$3\frac{3}{4}$	—	$1\frac{1}{2}$	$3\frac{3}{4}$	$3\frac{3}{16}$	30.3
2IH7S2	$4\frac{1}{16}$	$4\frac{1}{16}$	$2\frac{1}{16}$	$\frac{3}{8}$	5	$3\frac{1}{2}$	$3\frac{1}{32}$	$3\frac{3}{4}$	$1\frac{1}{2}$	—	$3\frac{3}{4}$	$3\frac{3}{16}$	32.0
2IHD5	$4\frac{1}{16}$	$4\frac{1}{16}$	$2\frac{1}{16}$	$\frac{3}{4}$	5	$3\frac{1}{2}$	$3\frac{1}{32}$	$3\frac{3}{4}$	$1\frac{1}{16}$	—	$3\frac{3}{4}$	$3\frac{3}{16}$	40.3
3IHD7	$4\frac{1}{16}$	$6\frac{1}{16}$	$2\frac{1}{32}$	$1\frac{1}{16}$	$6\frac{3}{16}$	$3\frac{1}{2}$	$3\frac{3}{4}$	5 $\frac{1}{8}$	—	$1\frac{3}{16}$	$3\frac{3}{4}$	$3\frac{3}{16}$	54.8

# Weatherproof metallic boxes

## Universal boxes and covers

### Single-gang

	Cat. No.	Hub size (in.)	Color	Std. ctn.
<b>Three outlets</b>				
 <b>IH3-1</b>	IH3-1	1/2	Silver	50
	IH3-2	3/4	Silver	50
	IH3-1-LM•	1/2	Silver	50
	IH3-2-LM•	3/4	Silver	50
	D-PAK			
	DIH3-1-LM•	1/2	Silver	10
	DIH3-1-LM-BR•	1/2	Bronze	10
	DIH3-1-LM-WH•	1/2	White	10
	DIH3-2-LM•	3/4	Silver	10
	B13030G	1	Silver	10
<b>Four outlets</b>				
 <b>IH4-1</b>	IH4-1	1/2	Silver	50
	IH4-2	3/4	Silver	50
	IH4-1-LM•	1/2	Silver	50
	IH4-2-LM•	3/4	Silver	50
	D-PAK			
	DIH4-1-LM•	1/2	Silver	10
	DIH4-1-LM-BR•	1/2	Bronze	10
	DIH4-1-LM-WH•	1/2	White	10
DIH4-2-LM•	3/4	Silver	10	
<b>Five outlets</b>				
 <b>IH5-1</b>	IH5-1	1/2	Silver	25
	IH5-2	3/4	Silver	25
	IH5-1-LM•	1/2	Silver	25
	IH5-2-LM•	3/4	Silver	25
	D-PAK			
	DIH5-1-LM•	1/2	Silver	10
	DIH5-2-LM•	3/4	Silver	10
<b>Five outlets (2-side)</b>				
 <b>B1501SGR</b>	B1501SGR	1/2	Silver	16
	B1502SG	3/4	Silver	25
<b>Six outlets (3-side)</b>				
 <b>IH6S2-1</b>	IH6S2-1•	1/2	Silver	25
	IH6S2-2•	3/4	Silver	25

Note: Raintight when used with appropriate Red•Dot® covers. Boxes supplied with 2 closure plugs and ground screw.  
• With mounting lugs

### Two-gang






	Cat. No.	Hub Size (in.)	Color	Std. ctn.
<b>Three outlets</b>				
 <b>2IH3-1</b>	2IH3-1•	1/2	Silver	10
	2IH3-2•	3/4	Silver	10
	D-PAK			
	D2IH3-1	1/2	Silver	6
<b>Four outlets</b>				
 <b>2IH4-1</b>	2IH4-1•	1/2	Silver	10
	2IH4-2•	3/4	Silver	10
<b>Five outlets</b>				
 <b>2IH5-1</b>	2IH5-1•	1/2	Silver	10
	2IH5-2•	3/4	Silver	10
<b>Five outlets (2-side)</b>				
 <b>2IH5S2-1</b>	2IH5S2-1•	1/2	Silver	10
	2IH5S2-2•	3/4	Silver	10
	B25D30G	1	Silver	10
<b>Seven outlets</b>				
 <b>2IH7-1</b>	2IH7-1•	1/2	Silver	10
	2IH7-2•	3/4	Silver	10
<b>Seven outlets (2-side)</b>				
 <b>2IH7S2-1</b>	2IH7S2-1•	1/2	Silver	10
	2IH7S2-2•	3/4	Silver	10

Note: Raintight when used with appropriate Red•Dot® covers. Boxes supplied with 2 closure plugs and ground screw.  
• With mounting lugs


# Weatherproof metallic boxes

## Universal boxes and covers


### Deep boxes—single- and multi-gang

	Cat. No.	Hub Size (in.)	Color	Std. ctn.
<b>Three outlets</b>				
	IHD3-1•	½	Silver	10
	IHD3-2•	¾	Silver	10
	IHD3-3•	1	Silver	10
<b>Four outlets</b>				
	IHD4-1•	½	Silver	10
	IHD4-2•	¾	Silver	10
<b>Two-gang five outlets</b>				
	2IHD5-1•	½	Silver	5
	2IHD5-2•	¾	Silver	5
	2IHD5-3•	1	Silver	5
<b>Two-gang seven outlets</b>				
	2IHD7S2-3	1	Silver	36
<b>B37D20G</b>				
	B37D20G	¾	Silver	5
	B37D30G	1	Silver	5





### Close-up plugs—zinc

	Cat. No.	Hub Size (in.)	Color	Material	Std. ctn.
	PLG-1-RD	½	Silver	Zinc	100
	PLG-2-RD	¾	Silver	Zinc	100
	PLG-3-RD	1	Silver	Zinc	100


### D-PAK®

	Cat. No.	Hub Size (in.)	Color	Material	Std. ctn.
	DPLG-1	½	Silver	Zinc	30
	DPLG-1-BR	½	Bronze	Non-metallic	75
	DPLG-1-WH	½	White	Non-metallic	75
	DPLG-2	¾	Silver	Zinc	30


### Extensions—single-gang

	Cat. No.	Hub size (in.)	Description	Color	Std. ctn.
<b>No outlets—1" deep</b>					
	IHE	N/A	Extension ring for one-gang box with gasket and screws	Silver	10
<b>Four outlets—1½" deep</b>					
	S121E-R	½	4-hole extension ring for one-gang box with 4 plugs, gasket and screws	Silver	6
<b>Two outlets, flanged—1⅞" deep add on</b>					
	IHEF2-1	½	2-hole flanged box extension adapter with 1 plug gasket and screws	Silver	5
	IHEF2-2	¾			
<b>Six outlets, flanged—1⅞" deep add on</b>					
	IHEF6S2-1	½	6-hole flanged box extension adapter with 4 plugs, gasket and screws	Silver	5
	IHEF6S2-2	¾			


### Extensions—Two-gang

	Cat. No.	Hub size (in.)	No. of Hubs	Description	Color	Std. ctn.
<b>Deep</b>						
	2IHE	N/A	0	Extension ring for two-gang boxes with gasket and screws	Silver	10

### Extensions—Round

	Cat. No.	Hub size (in.)	No. of Hubs	Description	Color	Std. ctn.
<b>Four outlets—1½" deep</b>						
	S130E	½	4	Round extension with gasket and screws	Silver	8
	SE-48	¾	4		Silver	5

### Mounting lugs

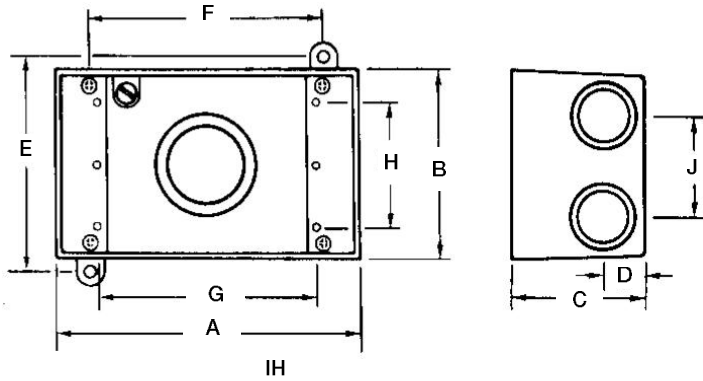
	Cat. No.	Description	Color	Std. ctn.
	LM	2 Mounting lugs with self-tapping screws, for LM boxes only	Silver	100



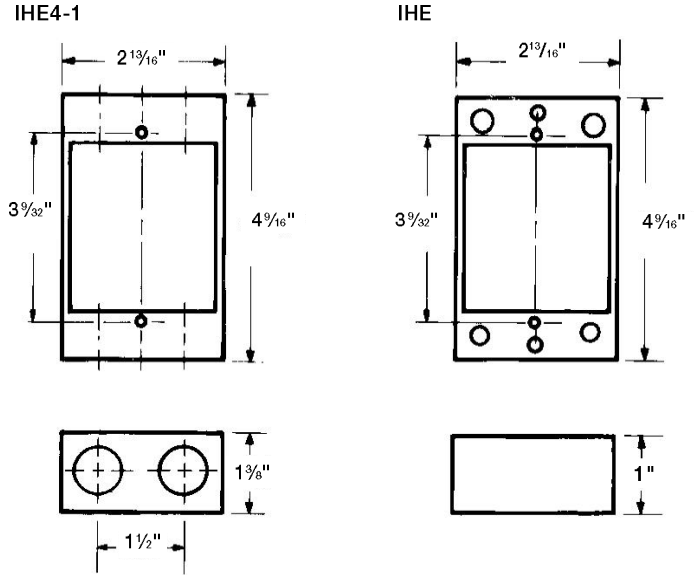
# Weatherproof metallic boxes

## Universal boxes and covers

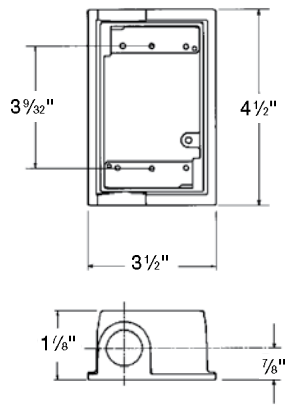
### Single-gang boxes



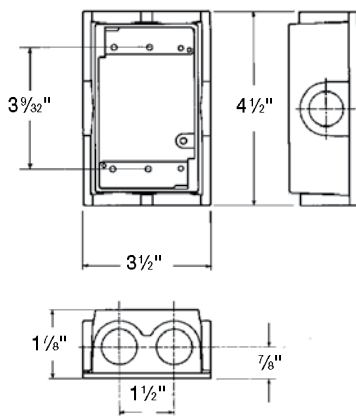
### Single-gang extension rings



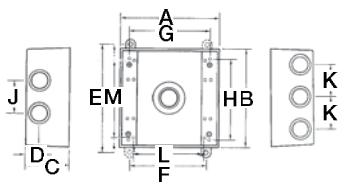
### Two-hole flanged box extension adapter IHEF2 (Add-On)



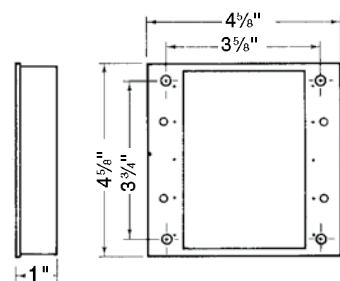
### Six-hole flanged box extension adapter IHEF6S2 (Add-On)



### Two- and three-gang boxes 2IH & 3IH



### Two-gang extension ring 2IHE



Cat. No.	Hub Size	Dimensions (in.)									
		A	B	C	D	E	F	G	H	J	CI
IH-1	$\frac{1}{2}$	$4\frac{1}{16}$	$2\frac{1}{16}$	2	$\frac{3}{8}$	—	—	$3\frac{3}{4}$	$1\frac{1}{8}$	$1\frac{1}{2}$	17.3
IH-2	$\frac{3}{4}$	$4\frac{1}{16}$	$2\frac{1}{16}$	2	$\frac{3}{8}$	—	—	$3\frac{3}{4}$	$1\frac{1}{8}$	$1\frac{1}{2}$	17.0
IH-LM-1	$\frac{1}{2}$	$4\frac{1}{16}$	$2\frac{1}{16}$	2	$\frac{3}{8}$	$3\frac{3}{16}$	$3\frac{1}{2}$	$3\frac{3}{4}$	$1\frac{1}{8}$	$1\frac{1}{2}$	17.3
IH-LM-2	$\frac{3}{4}$	$4\frac{1}{16}$	$2\frac{1}{16}$	2	$\frac{3}{8}$	$3\frac{3}{16}$	$3\frac{1}{2}$	$3\frac{3}{4}$	$1\frac{1}{8}$	$1\frac{1}{2}$	17.0
IH-S-1	$\frac{1}{2}$	$4\frac{1}{16}$	$2\frac{1}{16}$	2	$\frac{3}{8}$	$3\frac{3}{16}$	$3\frac{1}{2}$	$3\frac{3}{4}$	$1\frac{1}{8}$	$1\frac{1}{2}$	17.0
IH-S-2	$\frac{3}{4}$	$4\frac{1}{16}$	$2\frac{1}{16}$	2	$\frac{3}{8}$	$3\frac{3}{16}$	$3\frac{1}{2}$	$3\frac{3}{4}$	$1\frac{1}{8}$	$1\frac{1}{2}$	17.0
IHD3-1	$\frac{1}{2}$	$4\frac{1}{16}$	$2\frac{1}{16}$	$2\frac{5}{8}$	$\frac{5}{8}$	$3\frac{3}{16}$	$3\frac{1}{2}$	$3\frac{3}{4}$	$1\frac{1}{8}$	$1\frac{1}{2}$	24.8
IHD3-2	$\frac{3}{4}$	$4\frac{1}{16}$	$2\frac{1}{16}$	$2\frac{5}{8}$	$\frac{5}{8}$	$3\frac{3}{16}$	$3\frac{1}{2}$	$3\frac{3}{4}$	$1\frac{1}{8}$	$1\frac{1}{2}$	24.8
IHD3-3	1	$4\frac{1}{16}$	$2\frac{1}{16}$	$2\frac{5}{8}$	$\frac{3}{4}$	$3\frac{3}{16}$	$3\frac{1}{2}$	$3\frac{3}{4}$	$1\frac{1}{8}$	$1\frac{1}{2}$	23.5

Cat. No.	Dimensions (in.)												
	A	B	C	D	E	F	G	H	J	K	L	M	CI
2IH3	$4\frac{1}{16}$	$4\frac{1}{16}$	$2\frac{1}{16}$	$\frac{3}{8}$	5	$3\frac{1}{2}$	$3\frac{1}{32}$	$3\frac{3}{4}$	—	—	$3\frac{3}{4}$	$3\frac{3}{16}$	31.8
2IH4	$4\frac{1}{16}$	$4\frac{1}{16}$	$2\frac{1}{16}$	$\frac{3}{8}$	5	$3\frac{1}{2}$	$3\frac{1}{32}$	$3\frac{3}{4}$	$1\frac{1}{2}$	—	$3\frac{3}{4}$	$3\frac{3}{16}$	31.8
2IH5	$4\frac{1}{16}$	$4\frac{1}{16}$	$2\frac{1}{16}$	$\frac{3}{8}$	5	$3\frac{1}{2}$	$3\frac{1}{32}$	$3\frac{3}{4}$	$1\frac{1}{2}$	—	$3\frac{3}{4}$	$3\frac{3}{16}$	31.8
2IH5S2	$4\frac{1}{16}$	$4\frac{1}{16}$	$2\frac{1}{16}$	$\frac{3}{8}$	5	$3\frac{1}{2}$	$3\frac{1}{32}$	$3\frac{3}{4}$	—	—	$3\frac{3}{4}$	$3\frac{3}{16}$	31.8
2IH7	$4\frac{1}{16}$	$4\frac{1}{16}$	$2\frac{1}{16}$	$\frac{3}{8}$	5	$3\frac{1}{2}$	$3\frac{1}{32}$	$3\frac{3}{4}$	—	$1\frac{1}{2}$	$3\frac{3}{4}$	$3\frac{3}{16}$	30.3
2IH7S2	$4\frac{1}{16}$	$4\frac{1}{16}$	$2\frac{1}{16}$	$\frac{3}{8}$	5	$3\frac{1}{2}$	$3\frac{1}{32}$	$3\frac{3}{4}$	$1\frac{1}{2}$	—	$3\frac{3}{4}$	$3\frac{3}{16}$	32.0
2IHD5	$4\frac{1}{16}$	$4\frac{1}{16}$	$2\frac{1}{16}$	$\frac{3}{4}$	5	$3\frac{1}{2}$	$3\frac{1}{32}$	$3\frac{3}{4}$	$1\frac{1}{16}$	—	$3\frac{3}{4}$	$3\frac{3}{16}$	40.3
3IHD7	$4\frac{1}{16}$	$6\frac{1}{16}$	$2\frac{1}{32}$	$1\frac{1}{16}$	$6\frac{3}{16}$	$3\frac{1}{2}$	$3\frac{3}{4}$	5 $\frac{1}{8}$	—	$1\frac{3}{16}$	$3\frac{3}{4}$	$3\frac{3}{16}$	54.8