

DESCRIPTION

The Paralux III Series features recessed aesthetics and the latest in energy efficient technology. The luminaire incorporates a nominal 3" deep precision cell louver into a 4-3/4" deep para-contoured fixture housing. This combination creates a total high performance parabolic optical assembly for optimum performance. The series is compatible with all of today's popular ceiling systems and is available with a number of options and accessories for application versatility. The high performance luminaire is designed to offer maximum efficiency and performance for today's unique interior specifications. The Paralux III series is an excellent choice for commercial office spaces, schools, hospitals or retail merchandising areas.

SPECIFICATION FEATURES

Construction

4-3/4" deep, para-contoured housing, die formed of code gauge, prime cold rolled steel. Die embossed housing has full length die formed stiffeners for added strength. Contoured ballast/wireway cover is easily removed without tools. Die formed captive lampholder bracket fully encloses lampholder wiring permitting easy lampholder replacement. Heavy end plates are securely attached with interlocking tabs and screws. Four auxiliary fixture end suspension points provided. KOs for continuous row wiring. End plates have labor saving integral Grid-Lock feature for safety and convenience. *

Electrical**

Ballast are CBM/ETL Class "P" and are positively secured by mounting bolts. Pressure lock lampholders. UL/CUL listed. Suitable for damp locations.

Finish

Lighting grade, baked white enamel finish. Multistage, iron phosphate pretreatment ensures maximum bonding and rust inhibition.

Hinging/Latching

Positive cam action spring loaded, self locking, black steel latches. Safety lock T-hinges allow hinging and latching either side.

Louver

Die formed of low iridescent, vertical grain anodized aluminum. Finish is Anodic oxide coating. Accurate precision parabolic cells are held in place with interlocking feature. True-cut mitered corners. Black reveal with integral mechanical light seal around entire perimeter of louver. Louver protected from construction contaminants by polyethylene cover.

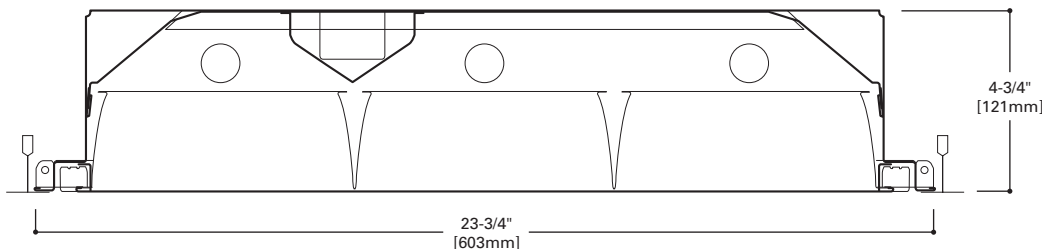


2EP3GAX
328T8
332

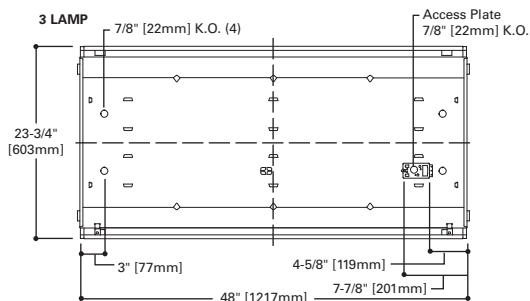
18, 24 Cell

**2' X 4' PARABOLIC
3 T8 LAMPS
SEMI-SPECULAR, SPECULAR
OR WHITE PAINTED LOUVER**

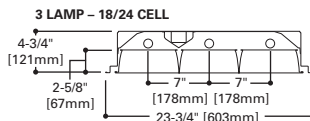
Paralux III
Recessed Static or Air
Supply Troffer



MOUNTING DATA



LAMP CONFIGURATIONS



CEILING COMPATIBILITY

G	G	G	F	MZ	Ceiling Type	Trim Type
Grid/Lay-in Standard	Concealed T	Slot Grid	Aluminum Flange Trim With Supporting Swing Gates	Modular Trim With Supporting Swing Gates	Exposed Grid	G
					Concealed T	G
					Slot Grid	G
					Flange	F
					Concealed "T" or "Z"	MZ
					Metal Pan	MZ
					(Verify compatibility/consult factory.)	

ENERGY DATA

Input Watts:
EB Ballast & STD Lamps
328T8 (67)
332 (81)

Luminaire Efficacy Rating

LER = FP-77

Catalog Number: 2EP3GAX-332S36I

**Yearly Cost of 1000 lumens,
3000 hrs at .08 KWH = \$3.11**

**Reference the lamp/ballast data in the Technical Section for specific lamp/ballast requirements.

LAMPS CONTAIN MERCURY. DISPOSE ACCORDING TO LOCAL, STATE OR FEDERAL LAWS

LINEAR DISCONNECT

Safe and convenient means of disconnecting power.

DESCRIPTION

The Paralux III Series features recessed aesthetics and the latest in energy efficient technology. The luminaire incorporates a nominal 3" deep precision cell louver into a 4-3/4" deep para-contoured fixture housing. This combination creates a total high performance parabolic optical assembly for optimum performance. The series is compatible with all of today's popular ceiling systems and is available with a number of options and accessories for application versatility. The high performance luminaire is designed to offer maximum efficiency and performance for today's unique interior specifications. The Paralux III series is an excellent choice for commercial office spaces, schools, hospitals or retail merchandising areas.

SPECIFICATION FEATURES

Construction

4-3/4" deep, para-contoured housing, die formed of code gauge, prime cold rolled steel. Die embossed housing has full length die formed stiffeners for added strength. Contoured ballast/wireway cover is easily removed without tools. Die formed captive lampholder bracket fully encloses lampholder wiring permitting easy lampholder replacement. Heavy end plates are securely attached with interlocking tabs and screws. Four auxiliary fixture end suspension points provided. KOs for continuous row wiring. End plates have labor saving integral Grid-Lock feature for safety and convenience. *

Electrical**

Ballast are CBM/ETL Class "P" and are positively secured by mounting bolts. Pressure lock lampholders. UL/CUL listed. Suitable for damp locations.

Finish

Lighting grade, baked white enamel finish. Multistage, iron phosphate pretreatment ensures maximum bonding and rust inhibition.

Hinging/Latching

Positive cam action spring loaded, self locking, black steel latches. Safety lock T-hinges allow hinging and latching either side.

Louver

Die formed of low iridescent, vertical grain anodized aluminum. Finish is Anodic oxide coating. Accurate precision parabolic cells are held in place with interlocking feature. True-cut mitered corners. Black reveal with integral mechanical light seal around entire perimeter of louver. Louver protected from construction contaminants by polyethylene cover.

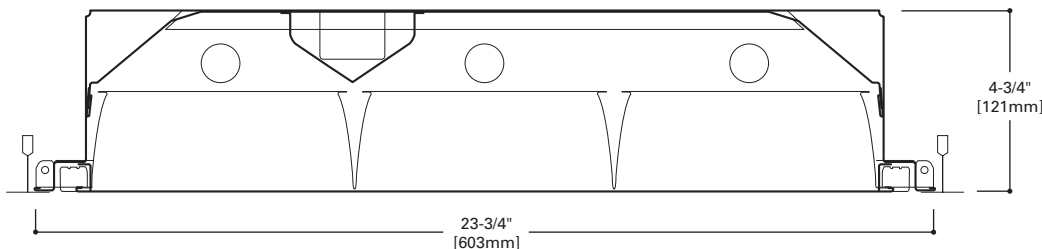


2EP3GAX
328T8
332

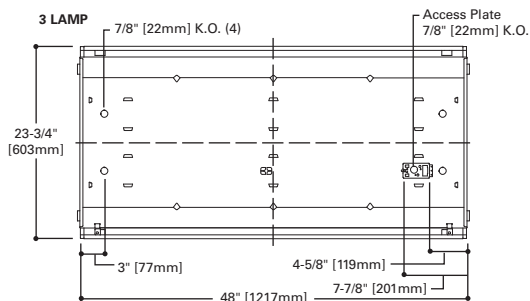
18, 24 Cell

**2' X 4' PARABOLIC
3 T8 LAMPS
SEMI-SPECULAR, SPECULAR
OR WHITE PAINTED LOUVER**

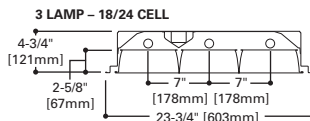
Paralux III
Recessed Static or Air
Supply Troffer



MOUNTING DATA



LAMP CONFIGURATIONS



CEILING COMPATIBILITY

G	G	G	F	MZ	Ceiling Type	Trim Type
Grid/Lay-in Standard	Concealed T	Slot Grid	Aluminum Flange Trim With Supporting Swing Gates	Modular Trim With Supporting Swing Gates	Exposed Grid	G
					Concealed T	G
					Slot Grid	G
					Flange	F
					Concealed "T" or "Z"	MZ
					Metal Pan	MZ
					(Verify compatibility/consult factory.)	

ENERGY DATA

Input Watts:
EB Ballast & STD Lamps
328T8 (67)
332 (81)

Luminaire Efficacy Rating

LER = FP-77

Catalog Number: 2EP3GAX-332S36I

Yearly Cost of 1000 lumens,
3000 hrs at .08 KWH = \$3.11

**Reference the lamp/ballast data in the Technical Section for specific lamp/ballast requirements.

LAMPS CONTAIN MERCURY. DISPOSE ACCORDING TO LOCAL, STATE OR FEDERAL LAWS

LINEAR DISCONNECT

Safe and convenient means of disconnecting power.

