

# PARALLEL CONDUIT SUPPORT

## APPLICATIONS:

Parallel conduit supports are used to mount EMT or Rigid Conduits Parallel to a beam, channel or angle supports.

## FEATURES:

Hot Dip Galvanized for added durability and corrosion protection. Provides a secure connection and tight clamping action capable of withstanding heavy loads.

## MATERIAL:

Malleable Iron  
Galvanized Steel Hardware

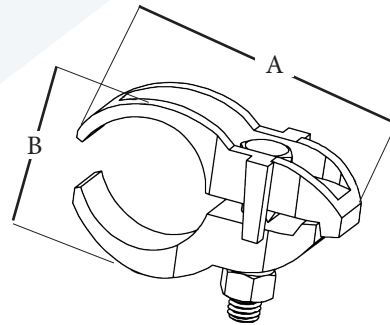
## FINISH:

Hot Dip Galvanized



E174011

Conforms to finish thickness  
ASTM A123/123M  
UL  
RoHS  
NEMA FB1  
Federal Spec. A-A-50553



| Part No. | UPC   | Description                     | Ship Case | Weight Case | A    | B    |
|----------|-------|---------------------------------|-----------|-------------|------|------|
| 1561HDG  | 86737 | 1/2" Parallel Conduit Support   | 50        | 29          | 2.80 | 1.42 |
| 1562HDG  | 86738 | 3/4" Parallel Conduit Support   | 50        | 32          | 2.99 | 1.47 |
| 1563HDG  | 86739 | 1" Parallel Conduit Support     | 50        | 35          | 3.19 | 1.54 |
| 1564HDG  | 86554 | 1-1/4" Parallel Conduit Support | 25        | 18          | 3.39 | 2.01 |
| 1565HDG  | 86555 | 1-1/2" Parallel Conduit Support | 25        | 24          | 3.62 | 2.01 |
| 1566HDG  | 86556 | 2" Parallel Conduit Support     | 25        | 25          | 4.37 | 2.87 |
| 1567HDG  | 86557 | 2-1/2" Parallel Conduit Support | 10        | 14          | 5.12 | 3.23 |
| 1568HDG  | 86558 | 3" Parallel Conduit Support     | 10        | 16          | 5.79 | 4.06 |
| 1569HDG  | 86559 | 3-1/2" Parallel Conduit Support | 10        | 19          | 6.26 | 4.53 |
| 1570HDG  | 86560 | 4" Parallel Conduit Support     | 10        | 22          | 6.46 | 4.61 |

# PARALLEL CONDUIT SUPPORT

## APPLICATIONS:

Parallel conduit supports are used to mount EMT or Rigid Conduits Parallel to a beam, channel or angle supports.

## FEATURES:

Hot Dip Galvanized for added durability and corrosion protection. Provides a secure connection and tight clamping action capable of withstanding heavy loads.

## MATERIAL:

Malleable Iron  
Galvanized Steel Hardware

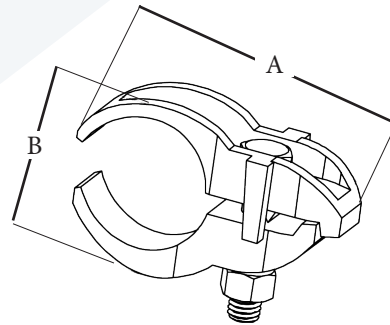
## FINISH:

Hot Dip Galvanized



E174011

Conforms to finish thickness  
ASTM A123/123M  
UL  
RoHS  
NEMA FB1  
Federal Spec. A-A-50553



| Part No. | UPC   | Description                     | Ship Case | Weight Case | A    | B    |
|----------|-------|---------------------------------|-----------|-------------|------|------|
| 1561HDG  | 86737 | 1/2" Parallel Conduit Support   | 50        | 29          | 2.80 | 1.42 |
| 1562HDG  | 86738 | 3/4" Parallel Conduit Support   | 50        | 32          | 2.99 | 1.47 |
| 1563HDG  | 86739 | 1" Parallel Conduit Support     | 50        | 35          | 3.19 | 1.54 |
| 1564HDG  | 86554 | 1-1/4" Parallel Conduit Support | 25        | 18          | 3.39 | 2.01 |
| 1565HDG  | 86555 | 1-1/2" Parallel Conduit Support | 25        | 24          | 3.62 | 2.01 |
| 1566HDG  | 86556 | 2" Parallel Conduit Support     | 25        | 25          | 4.37 | 2.87 |
| 1567HDG  | 86557 | 2-1/2" Parallel Conduit Support | 10        | 14          | 5.12 | 3.23 |
| 1568HDG  | 86558 | 3" Parallel Conduit Support     | 10        | 16          | 5.79 | 4.06 |
| 1569HDG  | 86559 | 3-1/2" Parallel Conduit Support | 10        | 19          | 6.26 | 4.53 |
| 1570HDG  | 86560 | 4" Parallel Conduit Support     | 10        | 22          | 6.46 | 4.61 |