



Southwire™

TOOLS & EQUIPMENT

GFCI / ELCI / EGFPD

SAFETY CATALOG



**BUILT FOR DURABILITY.
BUILT FOR RELIABILITY.
BUILT FOR WORK.™**

SOUTHWIRETOOLS.COM

OUR STORY

For over 60 years, Southwire has provided high quality electrical wire and cable to the commercial and industrial construction industries. Now, the name you trust provides durable, cutting-edge professional grade tools, designed with safety and productivity in mind. Look to Southwire® for solutions to all your electrical needs, from electrician's hand tools, meters, contractor equipment, temporary power, and extension cords.

GFCI / ELCI / EGFPD

Southwire has an extensive line of electrical safety product that ensures protection from dangerous current leakage that can cause electrical shock and possible electrocution. Our patented technologies enable you to protect people, property and equipment.

Southwire's electrical safety products are everyday electrical safety devices for use at home, the office, construction sites, refineries, mining, factories, portable equipment or wherever people use portable electrical equipment. The devices are required to be used throughout the world and we have products that are in accordance with the following standards:

- NEC – Article 590.6
- OSHA standard for general industry 29 CFR 1910
- OSHA standard for construction industry 29 CFR 1926.404
- UL 943
- CE
- CSA CAN/CSA 22.2 No 144.1

Southwire also offers high voltage and high current devices with our HD Pro™ series. The HD Pro™ series feature our patented GFCI/ELCI technology and are available in ratings from 120V/30A single phase up to 600V/100A three phase and are engineered to trip within 25mS, after ground fault detection, and are available in trip level ranges from 6mA to 50mA. The HD Pro™ series features contactors that are fully rated for motor switching demands and designed to protect expensive high current, high voltage equipment at the point of use while offering substantial shock protection for individuals as well.



TABLE OF CONTENTS

GROUND FAULT CIRCUIT INTERRUPTERS (GFCI)

- Single Outlet Right Angle GFCI Adapters..... 5
- GFCI Right Angle Single Outlet
- Cord Sets Manual Reset 6
- GFCI Right Angle with Triple Tap
- Cord Manual Reset 7
- GFCI In-Line Cord Sets 8
- In-Line GFCI with Tri-Tap Manual Reset..... 12
- GFCI In-Line User Attachables Manual Reset 13
- ELCI In-Line User Attachables Manual Reset..... 15
- PRCD In-Line User Attachables Manual Reset..... 16
- GFCI User Attachable Plugs Manual Reset..... 17
- GFCI Right Angle Plug Protected
- Quad Boxes Manual Reset..... 18
- In-Line GFCI Protected Quad
- Boxes with Mounting Tabs..... 19
- Cord-Connected Portable GFCI 20
- GFCI Panel Mounts..... 21
- ELCI Panel Mount Manual Reset..... 22

HIGH POWER EQUIPMENT COMINATION DEVICES (GFCI/ELCI)

- Shock Shield® High Power GFCIs 24
- Heavy Duty - High Power ELCI..... 25
- HD-PRO™ High Power GFCI/ELCI
- Trip Level Selector 6.10.30™ 27
- HD-PRO™ EGFPD & GFCI/ELCI
- with Adjustable Trip Levels 29
- Wiring Instructions for High Power GFCI/ELCIs..... 30

TEMPORARY POWER PRODUCTS

- X-Treme Box™ Portable Temporary
- Power Distribution Units 32
- Portable Power Cords & Replacement
- Plugs/Ends/Adapters 34
- Panel Mounted Receptacles & Breakers 35

CABLE PROTECTION SYSTEMS

- Southwire® Cable Protection Systems 37
- Black Jacket™ Light Duty Cable Protector 37

GROUND FAULT CIRCUIT INTERRUPTERS (GFCI)

Single Outlet Right Angle GFCI Adapters

GFCI Right Angle Single Outlet Cord Sets Manual Reset

GFCI Right Angle with Triple Tap Cord Manual Reset

GFCI In-Line Cord Sets with Auto Reset

GFCI In-Line Cord Sets Manual Reset

GFCI In-Line Cord Sets with Molded Locking
Connectors Manual Reset

GFCI In-Line Cord Sets with Manual Reset

In-Line GFCI with Tri-Tap Manual Reset

User Attachable In-Line GFCI Manual Reset
(for use with SJT cords)

GFCI In-Line User Attachables Manual Reset
(For Use with ST Cords)

ELCI In-Line User Attachables Manual Reset

PRCD In-Line User Attachables Manual Reset

GFCI User Attachable Plugs Manual Reset

GFCI Right Angle Plug Protected Quad Boxes Manual Reset

In-Line GFCI Protected Quad Boxes with Mounting Tabs

Cord-Connected Portable GFCI with
Duplex/Quad GFCI Receptacles

ELCI Panel Mount Manual Reset



SINGLE OUTLET RIGHT ANGLE GFCI ADAPTERS



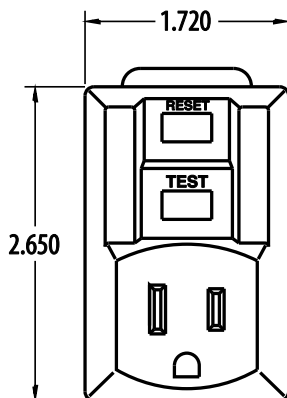
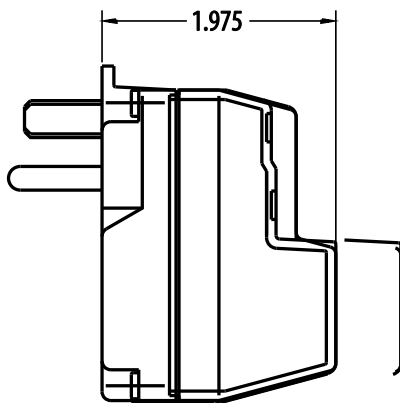
Provides GFCI and single mode surge protection with any appliance or tool used indoors. To prevent unmonitored equipment startup, manual reset is required after GFCI trip and power outage. Available in yellow with button boots or white. Provides compliance with National Electric Code (NEC 2008) Article 590.6 for “Temporary Installations.” Its small size (less than 3” high and 2” wide) makes it perfect for the toolbox and offers portable protection for institutional and residential applications.

FEATURES

- 14650 006-6 (White) ⓘ
- 14650 013-6 (Yellow)
- Volts/Amps: 120V/15A
- NEMA 5-15 P & R
- Trip Level: 4 - 6 mA



14650 013-6



TECHNICAL DATA

GROUNDING NEUTRAL	4 Ohms Typical
TRIP RESPONSE TIME FOR GROUND FAULT AND GROUNDING NEUTRAL TRIP	Less Than 25mS and Grounding Neutral Trip
VOLTAGE SURGE WITHSTAND	3Kv Ringwave Test And 4Kv/2Ka Surge Immunity Test
RADIO FREQUENCY NOISE SUSCEPTIBILITY	Operates Within Normal Limits With 0.5 Volts Injected On Power Line 150Khz-230Mhz
FREQUENCY	60 Hz
ENDURANCE	3,000 Operations Minimum
OVERLOAD CURRENT	Six Times Rated Current
OPERATING TEMPERATURE RANGE	-35°C To 66°C
EFFECT OF 10 AMP TURN DC SHOCK FAULT TRIP	5% Maximum Trip Level Variation on Ground
INSULATION VOLTAGE	1500 Vrms - 1 Min.

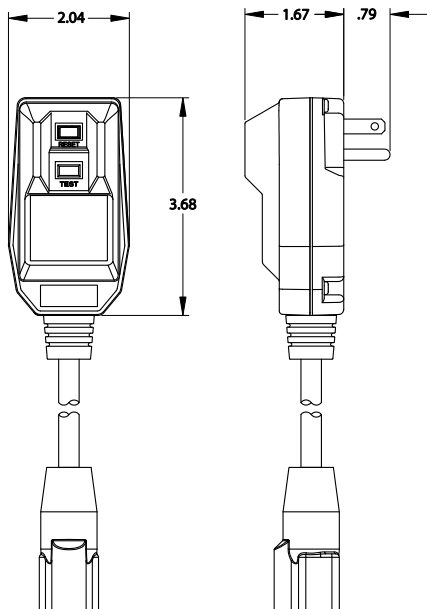
APPLICATIONS INCLUDE

- Power Tools
- Saws
- Drills
- Extension Cords
- Lighting

GFCI RIGHT ANGLE SINGLE OUTLET CORD SETS MANUAL RESET



14880 013-3



Ideal for use by contractors and industrial maintenance personnel working with extension cords or portable tools. Provides compliance with National Electric Code (NEC 2008) Article 590.6 for "Temporary Installations." Rainproof rated, UL listed for outdoor use. Standard lengths: 9', 6', 25', 50'. Custom cable gauges, lengths and terminations available by special order. To prevent unmonitored equipment startup, manual reset is required after GFCI trip and power outage. Available with yellow or black case.

FEATURES

- 14880 001-6 (9")
- 14880 024-3 (6')
- 14880 074-2 (25')
- 14880 122-1 (50') *
- Volts/Amps: 120V/15A
- Cord Gauge: 14/3 AWG
- NEMA 5-15P & R
- Trip Level: 4 - 6 mA
- 14880 012-6 (9")
- 14880 231-6 (2')
- 14880 013-3 (6')
- 14880 018-3 (25')
- 14880 029-1 (50') *
- Volts/Amps: 120V/15A
- Cord Gauge: 12/3 AWG
- NEMA 5-15P & R
- Trip Level: 4 - 6 mA

*Made to order



TECHNICAL DATA

GROUNDING NEUTRAL	4 Ohms
TRIP RESPONSE TIME FOR GROUND FAULT AND GROUNDING NEUTRAL TRIP	Less Than 25ms
VOLTAGE SURGE WITHSTAND	3Kv Ringwave Test And 4Kv/2Ka Surge Immunity Test
RADIO FREQUENCY NOISE SUSCEPTIBILITY	Operates Within Normal Limits With 0.5 Volts Injected On Power Line 150Khz-230Mhz
FREQUENCY	60 Hz
ENDURANCE	3,000 Operations Minimum
OVERLOAD CURRENT	Six Times Rated Current
OPERATING TEMPERATURE RANGE	-35°C To 66°C
EFFECT OF 10 AMP TURN DC SHOCK FAULT TRIP	5% Maximum Trip Level Variation on Ground
INSULATION VOLTAGE	1500 Vrms - 1 Min.
POWER ON INDICATION	Mechanical Indicator

APPLICATIONS INCLUDE

- High Pressure
- Sprayer Washers
- Power Tools
- Drain Snakes
- Pumps
- Construction Sites
- Industrial Appliances

GFCI RIGHT ANGLE WITH TRIPLE TAP CORD MANUAL RESET



Heavy duty molded T-head with three receptacles. The GFCI is an integral part of male plug. Provides protection for the extra heavy duty cord and three attached tools. 12 gauge cord is ideal for outdoor-rugged construction type environments. Standard length: 2', 6', 25', 50', 99'. To prevent unmonitored equipment startup, manual reset is required after GFCI trip and power outage. Provides compliance with National Electric Code (NEC 2008) Article 590.6 for "Temporary Installations."

FEATURES

- 14880 023-6 (2')*
- 14880 224-4 (2')*
- 14880 004-6 (6')
- 14880 118-2 (25')
- 14880 119-1 (50')
- 14880 120-1 (99')
- Volts/Amps: 120V/15A
- Cord Gauge: 12/3 AWG
- NEMA 5-15P & (3)5-15R
- Trip Level: 4 - 6 mA



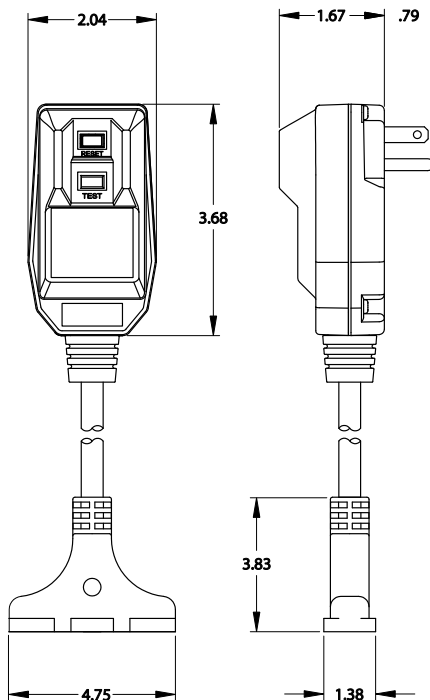
- 14880 228-6 (25')
- 14880 229-6 (50')
- 14880 230-4 (100')

- Cord Gauge: 12/3 AWG, SJEOW



*Lighted receptacle

14880 004-6



TECHNICAL DATA

GROUNDING NEUTRAL	4 Ohms
TRIP RESPONSE TIME FOR GROUND FAULT AND GROUNDING NEUTRAL TRIP	Less Than 25mS and Grounding Neutral Trip
VOLTAGE SURGE WITHSTAND	3Kv Ringwave Test And 4Kv/2Ka Surge Immunity Test
RADIO FREQUENCY NOISE SUSCEPTIBILITY	Operates Within Normal Limits With 0.5 Volts Injected On Power Line 150Khz-230Mhz
FREQUENCY	60 Hz
ENDURANCE	3,000 Operations Minimum
OVERLOAD CURRENT	Six Times Rated Current
OPERATING TEMPERATURE RANGE	-35°C To 66°C
EFFECT OF 10 AMP TURN DC SHOCK FAULT TRIP	5% Maximum Trip Level Variation on Ground
INSULATION VOLTAGE	1500 Vrms - 1 Min.
POWER ON INDICATION	Mechanical Indicator

APPLICATIONS INCLUDE

- Construction Sites
- Saws and Drills
- Portable Electric Power Tools
- Multiple Tools

GFCI

GFCI IN-LINE CORD SETS WITH AUTO RESET



The in-line GFCI cord set is ideal for existing equipment without GFCI protection. Rainproof rated, UL listed for outdoor use. Manual reset is required after GFCI trip and does not have to be reset with loss of power. Allows compliance with National Electric Code (NEC 2008) Article 590.6 for "Temporary Wiring" and OSHA regulation. Available in black only.

FEATURES

- | | |
|--|---|
| 35400 501-6 (2')
<ul style="list-style-type: none"> • Volts/Amps: 120V/15A • Cord Gauge: 14/3 AWG. • NEMA 5-15P & R • Trip Level: 4 - 6 mA | 35450 501-6 (2')
<ul style="list-style-type: none"> • Volts /Amps: 120V/20A • Cord Gauge: 12/3 AWG • NEMA 5 - 20 P & R • Trip Level: 4-6 mA |
|--|---|

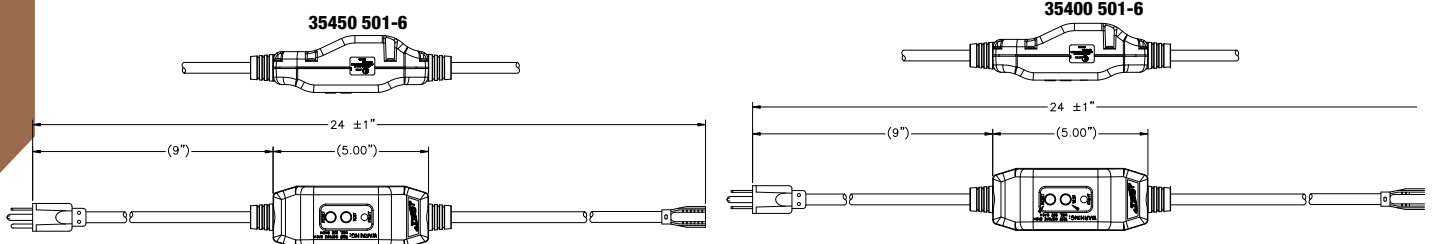


TECHNICAL DATA

TRIP RESPONSE TIME FOR GROUND FAULT AND GROUNDED NEUTRAL TRIP	Less Than 25mS And grounded neutral trip
VOLTAGE SURGE WITHSTAND (MOV Protection)	3Kv Ringwave Test And 4Kv/2Ka Surge Immunity Test
RADIO FREQUENCY NOISE SUSCEPTIBILITY	Operates Within Normal Limits With 0.5 Volts Injected On Power Line 150Khz-230Mhz
FREQUENCY	60 Hz
ENDURANCE	3,000 Operations Minimum
OVERLOAD CURRENT	Six Times Rated Current
OPERATING TEMPERATURE RANGE	-35°C to 66°C
INSULATION VOLTAGE	1500 Vrms - 1 Min.
FAULT INDICATION	Lighted Indicator

APPLICATIONS INCLUDE

- Drain Snakes
- Floor Cleaners
- Signs Refrigeration
- Pumps
- Vending Machines
- Spas



GFCI | IN-LINE CORD

GFCI IN-LINE CORD SETS MANUAL RESET

Excellent for industrial plant maintenance, equipment service and construction site applications. Provides compliance with National Electric Code (NEC 2008) Article 590.6 for "Temporary Installations." Rainproof rated, UL listed for outdoor use. Custom cable gauges, lengths and terminations available by special order. To prevent unmonitored equipment startup, manual reset is required after GFCI trip and power outage.

FEATURES

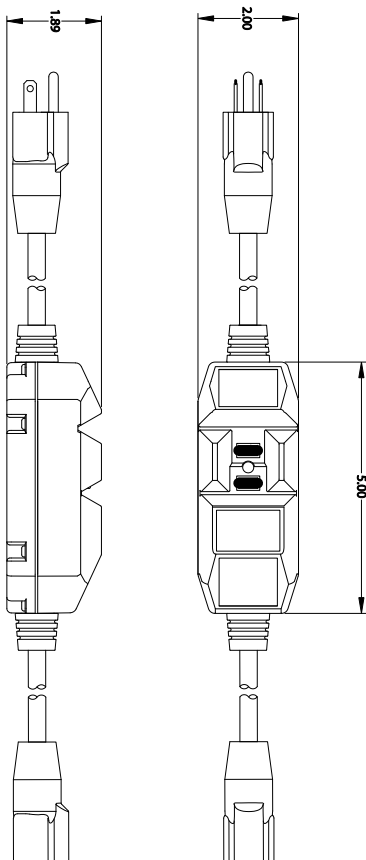
25080 011-6 (2')	⊖	25090 001-6 (2')	⊖⊖	26000 011-6 (2')	⊖⊖
25080 016-3 (6')		25090 006-3 (6')		26000 016-3 (6')	⊖⊖
25080 025-2 (25')		• Volts /Amps: 240V/15A		26000 125-2 (25')	
• Volts /Amps: 120V/20A		• Cord Gauge: 14/3 AWG		• Volts /Amps: 240V/20A	
• Cord Gauge: 12/3 AWG		• NEMA 6-15 P&R, Yellow		• Cord Gauge: 12/3 AWG	
• NEMA 5-20 P&R, Yellow		• Trip Level: 4-6 mA		• NEMA 6-20 P&R, Black	
• Trip Level: 4-6 mA				• Trip Level: 4-6 mA	
26020 002-6 (2')	⊖	26020 011-6 (2')	⊖		
26020 121-6 (2')		26020 115-6 (2')*			
26020 007-3 (6')		26020 016-3 (6')			
26020 124-2 (25')		26020 125-2 (25')			
26020 050-1 (50')		26020 150-1 (50')			
26020 099-1 (100')		• Volts /Amps: 120V/15A			
• Volts /Amps: 120V/15A		• Cord Gauge: 12/3 AWG			
• Cord Gauge: 14/3 AWG		• NEMA 5-15 P&R, Black			
• NEMA 5-15 P&R, Black		• Trip Level: 4-6 mA			
• Trip Level: 4-6 mA					

*Lighted receptacle

*Lighted receptacle



25080 011-6



TECHNICAL DATA

GROUNDING NEUTRAL	4 Ohms
TRIP RESPONSE TIME FOR GROUND FAULT AND GROUNDING NEUTRAL TRIP	Less Than 25mS
VOLTAGE SURGE WITHSTAND	3kv ringwave test and 4kv/2kA surge immunity test
RADIO FREQUENCY NOISE SUSCEPTIBILITY	Operates Within Normal Limits With 0.5 Volts Injected On Power Line 150Khz-230Mhz
FREQUENCY	60 Hz
ENDURANCE	3,000 Operations Minimum
OVERLOAD CURRENT	Six Times Rated Current
OPERATING TEMPERATURE RANGE	-35°C to 66°C
EFFECT OF 10 AMP TURN DC SHOCK FAULT TRIP	5% Maximum Trip Level Variation on Ground
INSULATION VOLTAGE	1500 Vrms - 1 Min.
POWER ON INDICATION	Lighted Indicator

APPLICATIONS INCLUDE

- High Pressure Sprayer Washers
- Construction Site Power Tools
- Drain Snakes
- Pumps
- Construction Sites
- Industrial Appliances

GFCI IN-LINE CORD SETS WITH MOLDED LOCKING CONNECTORS MANUAL RESET



Excellent for industrial plant maintenance, equipment service and construction site applications. Provides compliance with National Electric Code (NEC 2008) Article 590.6 for "Temporary Installations." Rainproof rated, UL listed for outdoor use. Standard Lengths: 2', 6'. Custom cable gauges, lengths and terminations available by special order. To prevent unmonitored equipment startup, manual reset is required after GFCI trip and power outage.

FEATURES

26020 097-6 (2')

- Volts/Amps: 120V/15A
- Cord Gauge: 14/3 AWG
- NEMA L5 - 15 P & R
- Trip Level: 4-6 mA



25080 136-6 (2')

- Volts /Amps: 120V/20A
- Cord Gauge: 12/3 AWG
- NEMA L5 - 20 P & R
- Trip Level: 4-6 mA

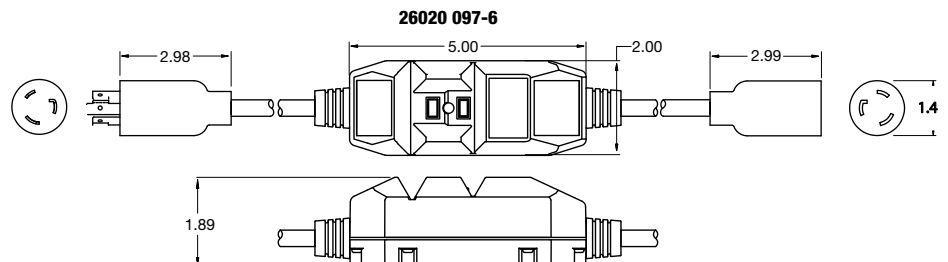


TECHNICAL DATA

GROUNDING	4 Ohms
TRIP RESPONSE TIME FOR GROUND FAULT AND GROUNDED NEUTRAL TRIP	Less Than 25mS and grounded neutral trip
VOLTAGE SURGE WITHSTAND	3kv ringwave test and 4kv/2kA surge immunity test
RADIO FREQUENCY NOISE SUSCEPTIBILITY	Operates Within Normal Limits With 0.5 Volts Injected On Power Line 150Khz-230Mhz
FREQUENCY	60 Hz
ENDURANCE	3,000 Operations Minimum
OVERLOAD CURRENT	Six Times Rated Current
OPERATING TEMPERATURE RANGE	-35°C to 66°C
EFFECT OF 10 AMP TURN DC SHOCK FAULT TRIP	5% Maximum Trip Level Variation on Ground
INSULATION VOLTAGE	1500 Vrms - 1 Min.
POWER ON INDICATION	Lighted Indicator

APPLICATIONS INCLUDE

- High Pressure Sprayer Washers
- Construction Site Power Tools
- Drain Snakes
- Pumps
- Construction Sites
- Industrial Appliances



GFCI IN-LINE CORD SETS WITH MANUAL RESET



Designed for rugged duty. Molded from high impact polymer with booted reset and test buttons. At home in hostile environments such as industrial, construction, maintenance and commercial work sites. Provides compliance with National Electric Code (NEC 2008) Article 590.6 for “Temporary Installations.” Rainproof rated, UL listed for outdoor use. Standard lengths: 2’, 6’, and 25’ with corresponding locking connectors. Custom cable gauges, lengths and terminations available by special order. To prevent unmonitored equipment startup, manual reset is required after GFCI trip and power outage.

FEATURES

- | | | | |
|------------------------|---|------------------------|---|
| 44700 004-3 (2') | ☺ | 44720 012-3 (3') | ☺ |
| 44700 005-2 (6') | | 44720 013-2 (6') | |
| • Volts/Amps: 120V/30A | | 44720 020-1 (25') | |
| • Cord Gauge: 10/3 AWG | | • Volts/Amps: 240V/30A | |
| • NEMA L5-30P & R | | • Cord Gauge: 10/3 AWG | |
| • Trip Level: 4 - 6 mA | | • NEMA L6-30P & R | |
| | | • Trip Level: 4 - 6 mA | |

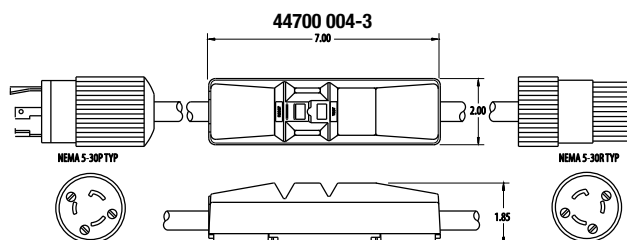


TECHNICAL DATA

GROUNDING NEUTRAL	4 Ohms
TRIP RESPONSE TIME FOR GROUND FAULT AND GROUNDING NEUTRAL TRIP	Less Than 25mS
VOLTAGE SURGE WITHSTAND	3kv ringwave test and 4kv/2kA surge immunity test
RADIO FREQUENCY NOISE SUSCEPTIBILITY	Operates Within Normal Limits With 0.5 Volts Injected On Power Line 150Khz-230Mhz
FREQUENCY	60 Hz
ENDURANCE	3,000 Operations Minimum
OVERLOAD CURRENT	Six Times Rated Current
OPERATING TEMPERATURE RANGE	-35°C to 66°C
EFFECT OF 10 AMP TURN DC SHOCK FAULT TRIP	5% Maximum Trip Level Variation on Ground
INSULATION VOLTAGE	1500 Vrms - 1 Min.
POWER ON INDICATION	Lighted Indicator

APPLICATIONS INCLUDE

- High Pressure Sprayer Washers
- Construction Site Power Tools
- Drain Snakes
- Pumps
- Construction Sites
- Industrial Appliances



IN-LINE GFCI WITH TRI-TAP MANUAL RESET



Heavy duty molded T-head with three receptacles. Provides protection for the extra heavy duty cord and three attached tools. 12 gauge cord is ideal for outdoor - rugged construction type environments. Standard lengths 2', 25' and 50'. To prevent unmonitored equipment startup, manual reset is required after GFCI trip and power outage. Provides compliance with National Electric Code (NEC 2008) Article 590.6 for "Temporary Installations."

FEATURES

*26020008-6 (2')

26020 147-2 (25')

26020 148-1 (50')

• Volts/Amps: 120V/15A

• Cord Gauge: 12/3 AWG

• NEMA 5-15P & (3)5-15R

• Trip Level: 4 - 6 mA



30040 008-6 (2.5')

• Volts/Amps: 120V/15A

• Cord Gauge: 12/3 AWG, SEOW

• NEMA 5-15P & (3)5-15R

• Trip Level: 4 - 6 mA

• Lighted receptacle



*Lighted receptacle

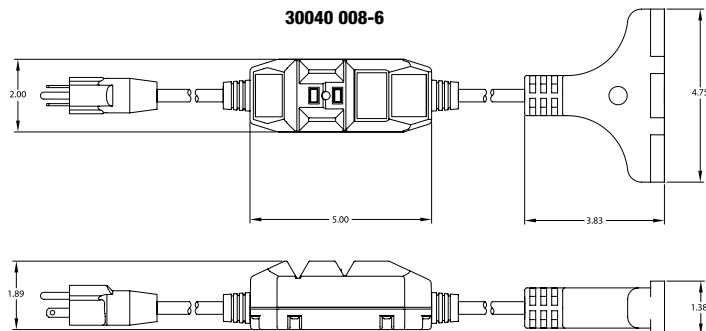
TECHNICAL DATA

GROUNDING NEUTRAL	4 Ohms
TRIP RESPONSE TIME FOR GROUND FAULT AND GROUNDED NEUTRAL TRIP	Less Than 25mS and grounded neutral trip
VOLTAGE SURGE WITHSTAND	3kv ringwave test and 4kv/2kA surge immunity test
RADIO FREQUENCY NOISE SUSCEPTIBILITY	Operates Within Normal Limits With 0.5 Volts Injected On Power Line 150Khz-230Mhz
FREQUENCY	60 Hz
ENDURANCE	3,000 Operations Minimum
OVERLOAD CURRENT	Six Times Rated Current
OPERATING TEMPERATURE RANGE	-35°C to 66°C
EFFECT OF 10 AMP TURN DC SHOCK FAULT TRIP	5% Maximum Trip Level Variation on Ground
INSULATION VOLTAGE	1500 Vrms - 1 Min.
POWER ON INDICATION	Lighted Indicator

APPLICATIONS INCLUDE

- Construction Sites
- Saws and Drills
- Portable Electric Power Tools
- Multiple Tools Use

26020 008-6
30040 008-6



USER ATTACHABLE IN-LINE GFCI MANUAL RESET FOR USE WITH SJT CORDS



The in-line user attachable is ideal for existing equipment without GFCI protection, and can be easily attached by connecting the GFCI in series with the supply cable 9 to 10 inches from the plug end to provide GFCI protection. Rainproof rated, UL listed for outdoor use. To prevent unmonitored equipment startup, manual reset is required after GFCI trip and power outage. Allows compliance with National Electric Code (NEC 2008) Article 590.6 for “Temporary Installations” and OSHA regulation. Available with yellow or black case.

FEATURES

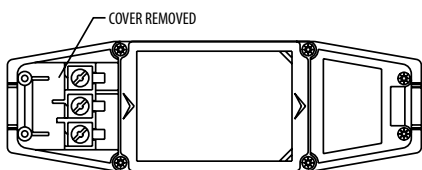
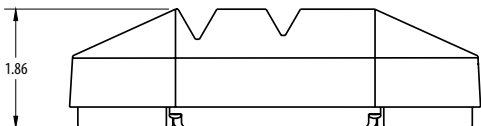
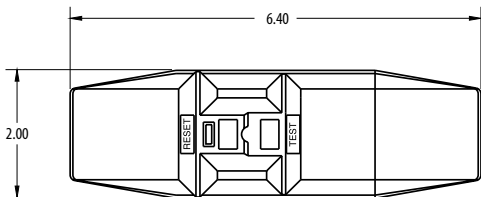
- | | |
|-------------------------------------|---|
| 25000 016-6 | 25230 001-6 |
| • Volts/Amps: 120V/20A and 240V/20A | • Volts/Amps: 120V/20A |
| • Accepts 18 - 12 AWG (SJT) | • Accepts 18 - 12 AWG (SJT) |
| • Trip Level: 4 - 6 mA | • Trip Level: 4 - 6 mA |
| | <i>*Accepts up to 12 gauge jr cords</i> |

TECHNICAL DATA

GROUNDING NEUTRAL	4 Ohms
TRIP RESPONSE TIME FOR GROUND FAULT AND GROUNDING NEUTRAL TRIP	Less Than 25mS and grounded neutral trip
VOLTAGE SURGE WITHSTAND	Operates within Normal Limits with 0.5 Volts
RADIO FREQUENCY NOISE SUSCEPTIBILITY	Operates Within Normal Limits With 0.5 Volts Injected On Power Line 150Khz-230Mhz
FREQUENCY	60 Hz
ENDURANCE	3,000 Operations Minimum
OVERLOAD CURRENT	Six Times Rated Current
OPERATING TEMPERATURE RANGE	-35°C to 66°C
EFFECT OF 10 AMP TURN DC SHOCK FAULT TRIP	5% Maximum Trip Level Variation on Ground Trip
INSULATION VOLTAGE	1500 Vrms - 1 Min.
POWER ON INDICATION	Lighted Indicator

APPLICATIONS INCLUDE

- Pressure Washers
- Drain Snakes
- Floor Cleaners
- Industrial Appliances
- Power Tools
- Pumps
- Boat Lifts
- Extension Cords



GFCI IN-LINE USER ATTACHABLES MANUAL RESET FOR USE WITH ST CORDS



The in-line user attachable is ideal for existing equipment without GFCI protection, and can be easily attached by connecting the GFCI in series with the supply cable 9 to 10 inches from the plug end to provide GFCI protection. Rainproof rated, UL listed for outdoor use. These units require manual reset after all fault conditions or interruption of the power supply. Allows compliance with NEC 2008 Article 590.6, "Temporary Installations" and OSHA regulation. Available with yellow or black case.

FEATURES

30040 006-6

- Volts/Amps: 120V/20A
- Accepts 16 - 12 AWG (ST)
- Trip Level: 4 - 6 mA

30050 003-3

- Volts/Amps: 240V/20A
- Accepts 16 - 12 AWG (ST)
- Trip Level: 4 - 6 mA

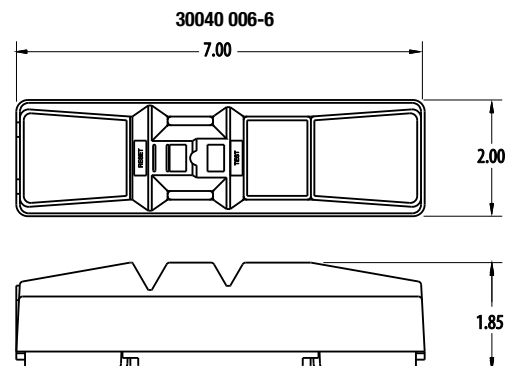
* Accepts full size 12 gauge cords

TECHNICAL DATA

GROUNDING NEUTRAL	4 Ohms Typical
TRIP RESPONSE TIME FOR GROUND FAULT AND GROUNDING NEUTRAL TRIP	Less Than 25mS and grounded neutral trip
VOLTAGE SURGE WITHSTAND	3kv ringwave test and 4kv/2kA surge immunity test
RADIO FREQUENCY NOISE SUSCEPTIBILITY	Operates Within Normal Limits With 0.5 Volts Injected On Power Line 150Khz-230Mhz
FREQUENCY	60 Hz
ENDURANCE	3,000 Operations Minimum
OVERLOAD CURRENT	Six Times Rated Current
OPERATING TEMPERATURE RANGE	-35°C to 66°C
EFFECT OF 10 AMP TURN DC SHOCK FAULT TRIP	5% Maximum Trip Level Variation on Ground
INSULATION VOLTAGE	1500 Vrms - 1 Min.
POWER ON INDICATION	Mechanical Indicator

APPLICATIONS INCLUDE

- Pressure Washers
- Drain Snakes
- Floor Cleaners
- Industrial Appliances
- Power Tools
- Pumps
- Boat Lifts
- Extension Cords



ELCI IN-LINE USER ATTACHABLES MANUAL RESET



Dual user attachable configurations for OEM connection of cable. Units are dual voltage rated. Operation and trip times equal or exceed that of the GFCI's. Provides equipment protection for office equipment. To prevent unmonitored equipment startup, manual reset is required after ELCI trip. Does not require reset following disruption of primary power.

FEATURES

26140 010-6

- Volts/Amps: 120V/20A & 240V/16A
- Accepts 18 - 12 AWG (SJT)
- Trip Level: 30 mA

25040 101-3

- Volts/Amps: 120V/20A & 240V/16A
- Accepts 18 - 12 AWG (SJT)
- Trip Level: 10 mA

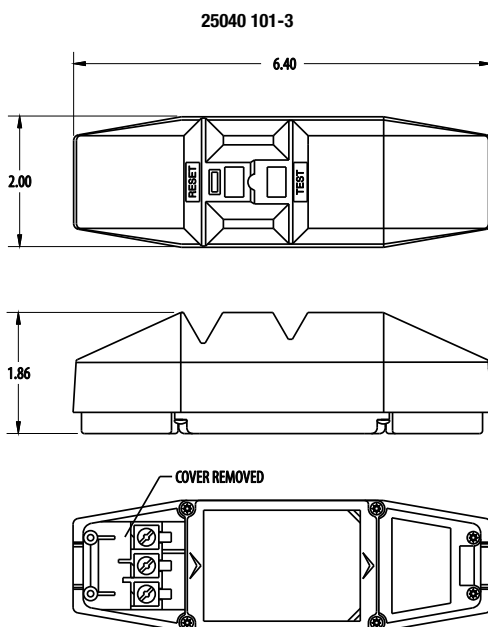


TECHNICAL DATA

TRIP RESPONSE TIME FOR GROUND FAULT AND GROUNDED NEUTRAL TRIP	Less Than 25mS
VOLTAGE SURGE WITHSTAND	3kv ringwave test and 4kv/2kA surge immunity test
RADIO FREQUENCY NOISE SUSCEPTIBILITY	Operates Within Normal Limits With 0.5 Volts Injected On Power Line 150Khz-230Mhz
FREQUENCY	60 Hz
ENDURANCE	3,000 Operations Minimum
OVERLOAD CURRENT	Six Times Rated Current
OPERATING TEMPERATURE RANGE	10°C to 60°C
EFFECT OF 10 AMP TURN DC SHOCK FAULT TRIP	5% Maximum Trip Level Variation on Ground
INSULATION VOLTAGE	1500 Vrms - 1 Min.
POWER ON INDICATION	Mechanical Indicator

APPLICATIONS INCLUDE

- Copiers
- Film Processors
- Printers
- Image Setters
- Scanners
- Appliances



PRCD IN-LINE USER ATTACHABLES MANUAL RESET



CE Certified Portable Residual Current Device (PRCD); EU Directives 89/336/EEC – Electromagnetic Compatibility Directive, 72/23/EEC – Low Voltage Equipment Directive & IEC 61540 – International standard for PRCD's. Available 120V – 230V, 30mA trip levels. To prevent unmonitored equipment startup, manual reset is required after PRCD trip and power outage.

FEATURES

57020 501-6

- Volts/Amps: 230V/16A
- Accepts 1.5 - 2.5mm 2conductor / 7.8-16.2mm dia. Cord Sets
- Trip Level: 30 mA max.
- CE Compliant

57010501-6

- Volts/Amps: 230V/16A
- Accepts 1.5 - 2.5mm 2conductor / 7.8-16.2mm dia. Cord Sets
- Trip Level: 10 mA max.
- CE Compliant

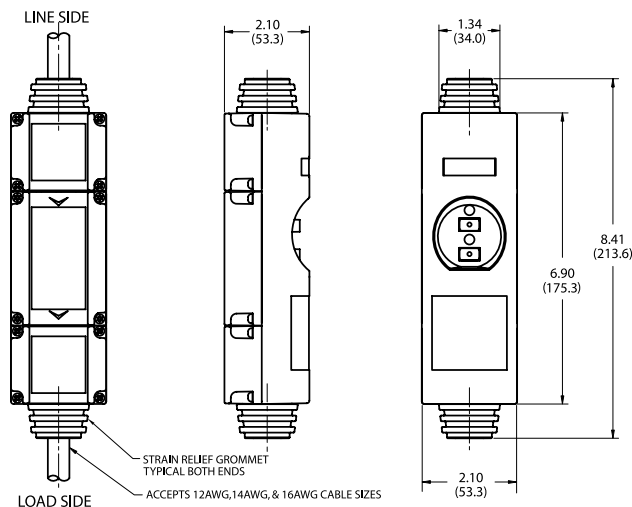


TECHNICAL DATA

OPERATING VOLTAGE RANGE	220-240 nominal @ 50/60 Hz
OPERATING LOAD CURRENT	16 amps max.
RESIDUAL CURRENT TRIP WINDOW	6, 10, 30mA
RESPONSE TIME	40mS max at 5(Δn)
CONTACTS NORMALLY OPEN	(Manual Reset) Contacts open with loss of power
ENVIROMENTAL RATING	IP-54

APPLICATIONS INCLUDE

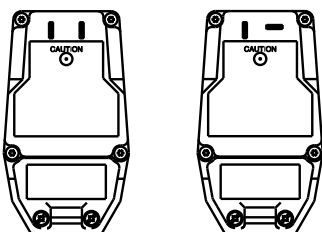
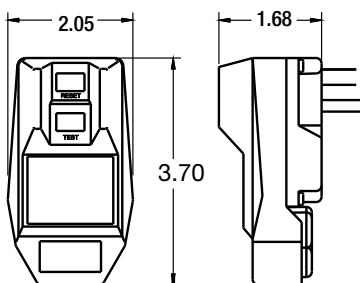
- Pressure Washers
- Drain Snakes
- Floor Cleaners
- Industrial Appliances
- Power Tools
- Pumps
- Boat Lifts
- Extension Cords



GFCI USER ATTACHABLE PLUGS MANUAL RESET



14880 002-6



The user attachable plug is ideal for existing equipment without GFCI protection, the male connector can be removed and the GFCI plug easily attached to equipment's cord. Rainproof rated, UL listed for outdoor use. To prevent unmonitored equipment startup, manual reset is required after GFCI trip and power outage. Allows compliance with National Electric Code (NEC 2008) Article 590.6 for "Temporary Installations" and OSHA regulation. Available with yellow or black case.

FEATURES

- | | |
|--|---|
| <p>14880 002-6 GFCI (i)</p> <ul style="list-style-type: none"> • CCI 02831 • Volts/Amps: 120V/15A • Accepts 18 - 12 AWG (SJT) • NEMA 5-15 P, Yellow • Trip Level: 4-6 mA | <p>54880 004-6 GFCI (-i)</p> <ul style="list-style-type: none"> • Volts/Amps: 120V/20A • Accepts 18 - 12 AWG (SJT) • NEMA 5 - 20 P, Black Trip • Level: 4 - 6 mA |
| <p>14880 232-6 GFCI (i)</p> <ul style="list-style-type: none"> • Volts/Amps: 120V/15A • Accepts 18 - 12 AWG (SJT) • NEMA 5-15 P, Black • Trip Level: 4-6 mA | |



TECHNICAL DATA

GROUNDING NEUTRAL	4 Ohms Typical
TRIP RESPONSE TIME FOR GROUND FAULT AND GROUNDING NEUTRAL TRIP	Less Than 25mS and Grounding Neutral Trip
VOLTAGE SURGE WITHSTAND	3kv ringwave test and 4kv/2kA surge immunity test
RADIO FREQUENCY NOISE SUSCEPTIBILITY	Operates Within Normal Limits With 0.5 Volts Injected On Power Line 150Khz-230Mhz
FREQUENCY	60 Hz
ENDURANCE	3,000 Operations Minimum
OVERLOAD CURRENT	Six Times Rated Current
OPERATING TEMPERATURE RANGE	-35°C to 66°C
EFFECT OF 10 AMP TURN DC SHOCK FAULT TRIP	5% Maximum Trip Level Variation on Ground
INSULATION VOLTAGE	1500 Vrms - 1 Min.
POWER ON INDICATION	Mechanical Indicator

APPLICATIONS INCLUDE

- Pressure Washers
- Drain Snakes
- Floor Cleaners
- Industrial Appliances Power Tools
- Pumps
- Boat Lifts
- Extension Cords

* Applies to 14880-002 and 54880-004

GFCI RIGHT ANGLE PLUG PROTECTED QUAD BOXES MANUAL RESET



Enclosed in heavy impact resistant polymer case. Spring loaded covers protect each pair of receptacles. "Circuit Breaker" built into box for convenient reset. The GFCI is an integral part of the male connector. Provides protection to the entire cord as well as tools attached. Built to withstand outdoor/rugged-type construction. Standard lengths: 2', 6', 25', 50', 99'. To prevent unmonitored equipment startup, manual reset is required after GFCI trip and power outage. Complies with National Electric Code (NEC 2008) Article 590.6 for "Temporary Installations."

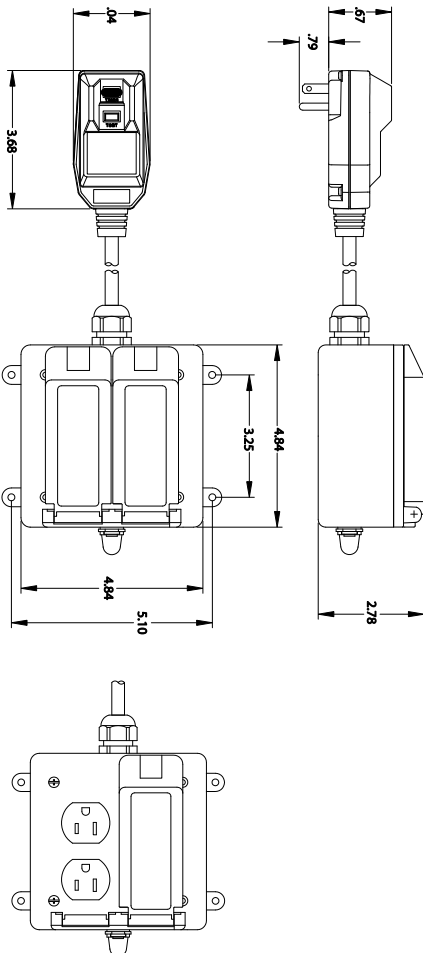
FEATURES

- 14880 402-3 (2')
- 14880 003-3 (6')
- 14880 425-2 (25')*
- 14880 450-1 (50')*
- 14880 121-1 (100')*
- Volts/Amps: 120V/15A
- Cord Gauge: 12/3 AWG
- NEMA 5-15P & (4)5-15R
- Trip Level: 4 - 6 mA

*Made to order



14880 003-3



TECHNICAL DATA

GROUNDING NEUTRAL	4 Ohms Typical
TRIP RESPONSE TIME FOR GROUND FAULT AND GROUNDING NEUTRAL TRIP	Less Than 25mS and Grounding Neutral Trip
VOLTAGE SURGE WITHSTAND	3kv ringwave test and 4kv/2kA surge immunity test
RADIO FREQUENCY NOISE SUSCEPTIBILITY	Operates Within Normal Limits With 0.5 Volts Injected On Power Line 150Khz-230Mhz
FREQUENCY	60 Hz
ENDURANCE	3,000 Operations Minimum
OVERLOAD CURRENT	Six Times Rated Current
OPERATING TEMPERATURE RANGE	-35°C to 66°C
EFFECT OF 10 AMP TURN DC SHOCK FAULT TRIP	5% Maximum Trip Level Variation on Ground
INSULATION VOLTAGE	1500 Vrms - 1 Min.
POWER ON INDICATION	Mechanical Indicator

APPLICATIONS INCLUDE

- Drills
- Lathes
- Saws
- Lighting
- Multiple Tools Use
- Construction Sites

IN-LINE GFCI PROTECTED QUAD BOXES WITH MOUNTING TABS



Box enclosed in heavy impact resistant polymer case. Spring loaded covers protect each pair of receptacles. "Fast Breaker" built in for convenient reset. GFCI with lighted indicator located at power end provides protection to the cord and tools attached. To prevent unmonitored equipment startup, manual reset is required after GFCI trip and power outage. Complies with National Electric Code (NEC 2008) Article 590.6 for "Temporary Installations."

FEATURES

26020 009-3 (6')

- Volts/Amps: 120V/15A
- Cord Gauge: 12/3 AWG
- NEMA 5-15P & (4)5-15R
- Trip Level: 4 - 6 mA



25080 121-6 (2')

- Volts/Amps: 120V/20A
- Cord Gauge: 12/3 AWG
- NEMA 5-20P & (4)5-20R
- Trip Level: 4 - 6 mA

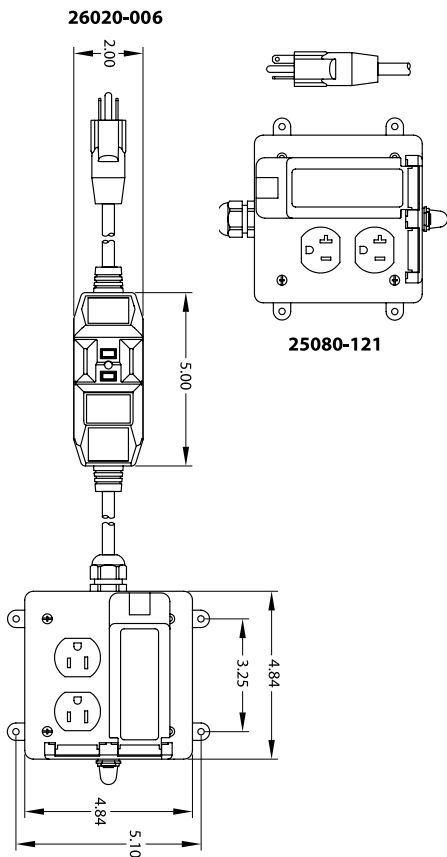


TECHNICAL DATA

GROUNDING NEUTRAL	4 Ohms
TRIP RESPONSE TIME FOR GROUND FAULT AND GROUNDING NEUTRAL TRIP	Less Than 25mS and Grounding Neutral Trip
VOLTAGE SURGE WITHSTAND	3kv ringwave test and 4kv/2kA surge immunity test
RADIO FREQUENCY NOISE SUSCEPTIBILITY	Operates Within Normal Limits With 0.5 Volts Injected On Power Line 150Khz-230Mhz
FREQUENCY	60 Hz
ENDURANCE	3,000 Operations Minimum
OVERLOAD CURRENT	Six Times Rated Current
OPERATING TEMPERATURE RANGE	-35°C to 66°C
EFFECT OF 10 AMP TURN DC SHOCK FAULT TRIP	5% Maximum Trip Level Variation on Ground
INSULATION VOLTAGE	1500 Vrms - 1 Min.
POWER ON INDICATION	Mechanical Indicator

APPLICATIONS INCLUDE

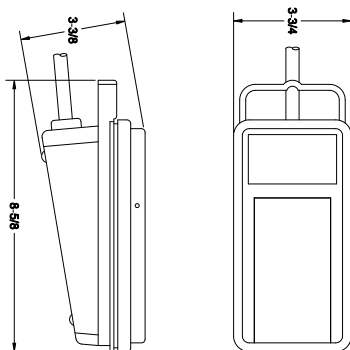
- Drills
- Lathes
- Saws
- Lighting
- Multiple Tools Use
- Construction Sites



CORD-CONNECTED PORTABLE GFCI WITH DUPLEX/QUAD GFCI RECEPTACLES



28438802



High impact resin with a slant-roof design to prevent water entry. Receptacles can accommodate large plugs. All models are Manual Reset GFCIs. OSHA compliant.

FEATURES

- 28438802 (6')
- Volts/Amps: 120V/15A
- Cord Gauge: 12/3 SJTW
- NEMA 5-15P & (2) 5-15R



Made to meet
OSHA
Specifications

TECHNICAL DATA

MAXIMUM OPERATING VOLTAGE	120 VAC
MAXIMUM OPERATING CURRENT	15 AMPS
MAXIMUM OPERATING WATTAGE	1800 W
TEMPERATURE RATING	-22°C to 140°C
OPERATING ENVIROMENT	Outdoor, if protected from water entry

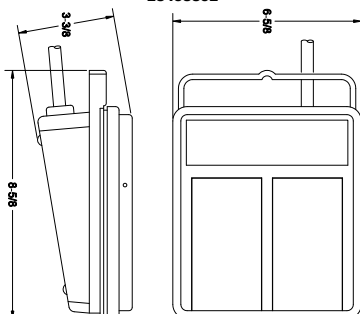
APPLICATIONS INCLUDE

- Construction Sites
- Saws and Drills
- Portable Electric Power Tools
- For up to Two Tools

CORD-CONNECTED PORTABLE GFCI WITH QUAD GFCI RECEPTACLES



28468802



High impact resin with a slant-roof design to prevent water entry. Receptacles can accommodate large plugs. All models are Manual Reset GFCIs. OSHA compliant.

FEATURES

- 28458802 (6')
- Volts/Amps: 120V/15A
- Cord Gauge: 12/3 SJEOW
- NEMA 5-15P & (4) 5-15R
- 28468802 (6')
- Volts/Amps: 120V/15A
- Cord Gauge: 12/3 SJEOW
- NEMA L5-20P & (4) 5-20R



Made to meet
OSHA
Specifications

TECHNICAL DATA

MAXIMUM OPERATING VOLTAGE	120 VAC
MAXIMUM OPERATING CURRENT	15 AMPS
MAXIMUM OPERATING WATTAGE	1800 W
TEMPERATURE RATING	-35 to 66 °C
OPERATING ENVIROMENT	Outdoor, if protected from water entry

APPLICATIONS INCLUDE

- Construction Sites
- Saws and Drills
- Portable Electric Power Tools
- For up to Two Tools

GFCI PANEL MOUNTS

32360 001-3



33120 001-3
33240 001-3

Provides GFCI protection for personnel and equipment when leakage levels have a potentially lethal ground current in excess of 6 milliamperes. Ideal for equipment where mounting applications require panel or bulkhead mount. Automatic reset on power restoration following disruption of primary power. 41240-001 is manual reset.

FEATURES

32360 001-3

- Volts/Amps: 120V/20A
- L & N - 12 AWG
- Trip Level: 4 - 6 mA

18900000

- Volts/Amps: 120V/20A
- Trip Level: 4 - 6 mA Manual Reset
- Replacement for X-Treme Box Temporary Power Center

33120 001-3

- Volts/Amps: 120V/20A
- L & N - 12 AWG
- Trip Level: 4 - 6 mA

33240 001-3

- Volts/Amps: 240V/20A
- L & N - 12 AWG
- Trip Level: 4 - 6 mA



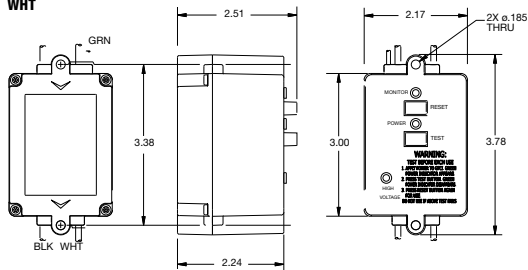
18900000



TECHNICAL DATA

GROUNDING NEUTRAL	4 Ohms
TRIP RESPONSE TIME FOR GROUND FAULT AND GROUNDING NEUTRAL TRIP	Less Than 25mS and Grounding Neutral Trip
VOLTAGE SURGE WITHSTAND	3kv ringwave test and 4kv/2kA surge immunity test
RADIO FREQUENCY NOISE SUSCEPTIBILITY	Operates Within Normal Limits With 0.5 Volts Injected On Power Line 150Khz-230Mhz
FREQUENCY	60 Hz
ENDURANCE	3,000 Operations Minimum
OVERLOAD CURRENT	Six Times Rated Current
OPERATING TEMPERATURE RANGE	-35 to 66 °C
EFFECT OF 10 AMP TURN DC SHOCK FAULT TRIP	5% Maximum Trip Level Variation on Ground
INSULATION VOLTAGE	1500 Vrms - 1 Min.
POWER ON INDICATION	Lighted Indicator

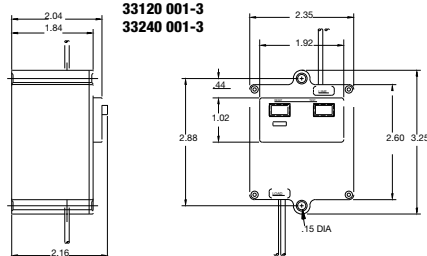
32360-001 BLK
WHT



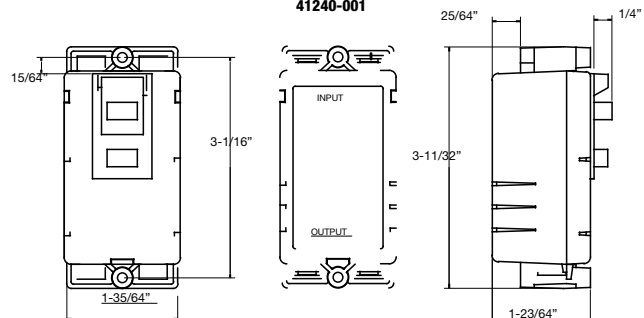
APPLICATIONS INCLUDE

- Control Panels
- Test Beds
- Pumping Systems
- Appliances

33120 001-3
33240 001-3



41240-001



ELCI PANEL MOUNT MANUAL RESET



Provides protection for equipment when leakage levels exceed 10mA. Ideal for equipment where mounting applications require panel or bulkhead mounting. Manual reset is required after ELCI trip. Remains reset on power restoration following disruption of primary power.

FEATURES

24220 100-3

- Volts/Amps: 120V/20A or 240V/16A
- Trip Level: 10 mA Typical
- Accepts 250V female quick disconnect terminals

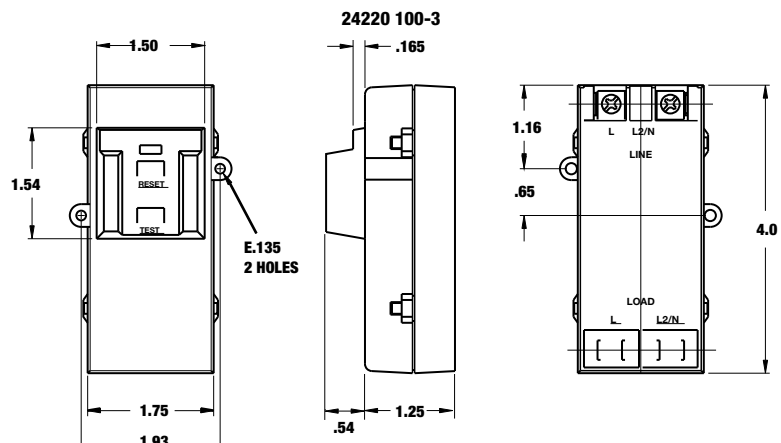


TECHNICAL DATA

GROUNDING NEUTRAL (33120 ONLY)	85-264 VAC
TRIP RESPONSE TIME FOR GROUND FAULT AND GROUNDING NEUTRAL TRIP	Less Than 25mS
VOLTAGE SURGE WITHSTAND	3kv ringwave test and 4kv/2kA surge immunity test
RADIO FREQUENCY NOISE SUSCEPTIBILITY	Operates Within Normal Limits With 0.5 Volts Injected On Power Line 150Khz-230Mhz
FREQUENCY	50/60 Hz
ENDURANCE	3,000 Operations Minimum
OVERLOAD CURRENT	Six Times Rated Current
OPERATING TEMPERATURE RANGE	10°C to 55°C
EFFECT OF 10 AMP TURN DC SHOCK FAULT TRIP	5% Maximum Trip Level Variation on Ground
INSULATION VOLTAGE	1500 Vrms - 1 Min.
POWER ON INDICATION	Mechanical Indicator

APPLICATIONS INCLUDE

- Testing Equipment
- Copiers
- Medical Equipment
- Electric Control Panels
- Appliances



HIGH POWER EQUIPMENT COMBINATION DEVICES (GFCI/ELCI)

Shockshield™ High Power GFCI

Heavy Duty - High Power ELCI 30A

Heavy Duty - High Power ELCI 60A

HD-Pro High Power GFCI/ELCI Trip Level Selector 6.10.30

HD-Pro High Power GFCI/ELCI Trip Level Selector 6.10.30

HD-Pro EGFPD and GFCI/ELCI with Adjustable Trip Levels

Wiring Instructions for High Power GFCI/ELCIs



GFCI/ELCI

SHOCKSHIELD™ HIGH POWER GFCI



Configured for both in-line and bulk head mount. Engineered to trip within 25 milliseconds. Has 2' of cable on both line and load side. Will automatically reset after ELCI trip and/or power outage. Auto Reset.

FEATURES

- | | |
|---------------------------------|----------------------------|
| 23250 003-1 GFCI | 25500 001-1 GFCI |
| • Volts/Amps: 240V/40A | • Volts/Amps: 208-240V/30A |
| • Cord Gauge: 8/3 AWG | • Cord Gauge: 10/4 AWG |
| • Trip Level: 6 mA Single Phase | • Trip Level: 4-6 mA |
| | • Three Phase |



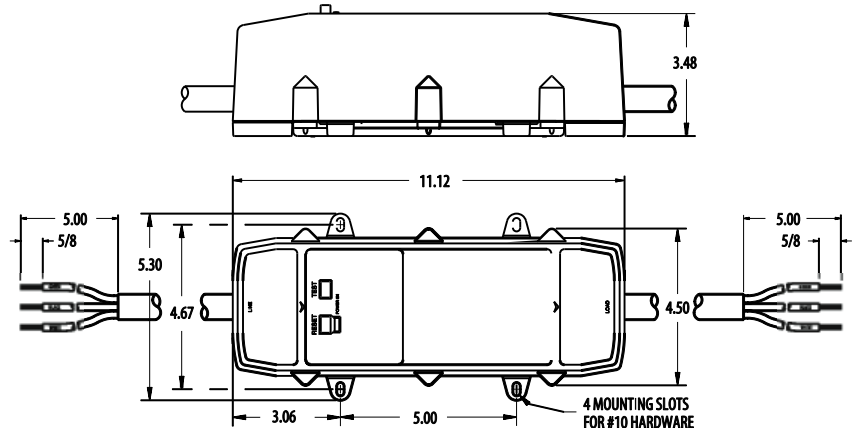
TECHNICAL DATA

RESPONSE TIME FOR GROUND FAULT	25mS - Typically
FREQUENCY	60 Hz
ENDURANCE	3,000 Operations Minimum
OVERLOAD CURRENT	Six Times Rated Current
OPERATING TEMPERATURE RANGE	-20°C to 40°C
INSULATION VOLTAGE	1500 VRMS - 1 Min.
DROP OUT VOLTAGE	60% Rated Voltage - Typically
RESET TYPE	Auto
CONNECTION TYPE	2 ft Flying Leads
ENCLOSURE	NEMA 4 Polymer
POWER ON INDICATION	Lighted Indicator

PROTECTS

- Motors
- Manufacturing Equipment
- Pumping Systems
- Welders
- Pressure Washers
- Hoists

24130 008-1



GFCI/ELCI | HIGH POWER GFCI

HEAVY DUTY - HIGH POWER ELCI 30A



Configured for both in-line and bulk head mount. Engineered to trip within 25 milliseconds. Has 2' of cable on both line and load side. Will remain reset on power restoration following disruption of primary power.

FEATURES

24140 002-1 ELCI

- Volts/Amps: 240V/30A
- Cord Gauge: 10/4 AWG
- Trip Level: 10 mA
- Single Phase

24500 006-1 ELCI

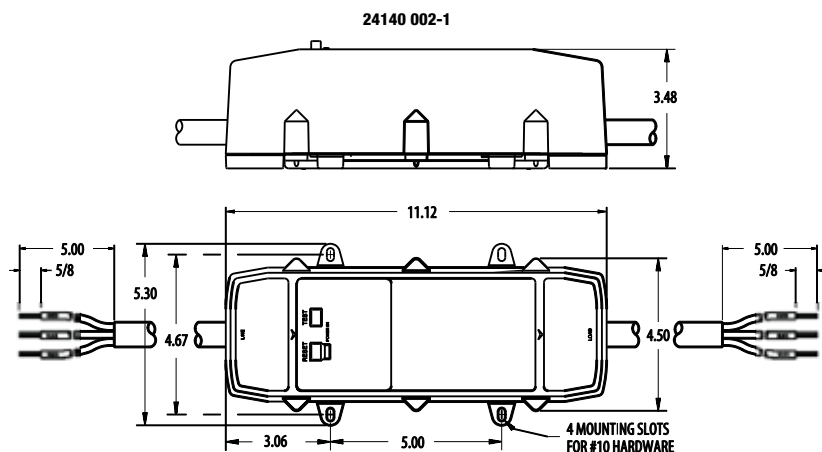
- Volts/Amps: 208-240V/30A
- Cord Gauge: 10/4 AWG
- Trip Level: 10 mA
- Three Phase

TECHNICAL DATA

RESPONSE TIME FOR GROUND FAULT	25mS - Typically
FREQUENCY	60 Hz
ENDURANCE	3,000 Operations Minimum
OVERLOAD CURRENT	Six Times Rated Current
OPERATING TEMPERATURE RANGE	-20°C to 40°C
INSULATION VOLTAGE	1500 VRMS - 1 Min.
DROP OUT VOLTAGE	60% Rated Voltage - Typically
RESET TYPE	Auto
CONNECTION TYPE	2 ft Flying Leads
ENCLOSURE	NEMA 4 Polymer
POWER ON INDICATION	Lighted Indicator

PROTECTS

- Motors
- Manufacturing Equipment
- Pumping Systems
- Welders
- Pressure Washers
- Hoists



GFCI/ELCI

HEAVY DUTY - HIGH POWER ELCI 60A



Configured for both in-line and bulk head mount. Engineered to trip within 25 milliseconds. Has 2' of cable on both line and load side. To prevent equipment startup after ELCI trips, manual reset required. Will reset on power restoration following disruption of primary power.

FEATURES

24520 001-1	24530 001-1*	25560 001-1
• Volts/Amps: 120V/60A	• Volts/Amps: 240V/60A	• Volts/Amps: 380V/60A
• Cord Gauge: 4/3 AWG	• Cord Gauge: 4/4 AWG	• Cord Gauge: 4/4 AWG
• Trip Level: 10 mA	• Trip Level: 10 mA	• Trip Level: 30 mA
• Single Phase	• Three Phase	• Three Phase

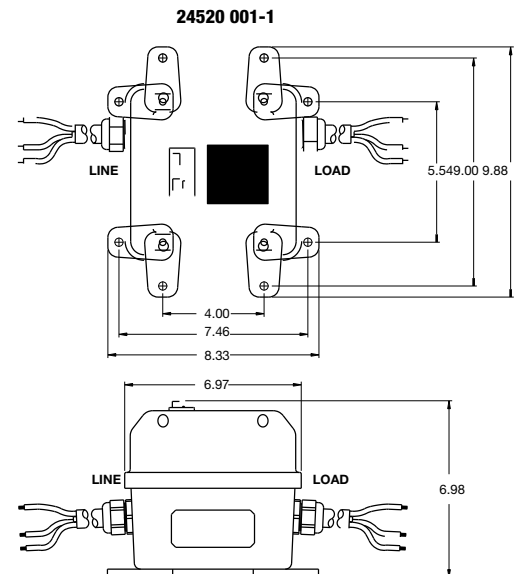
*Made to order

TECHNICAL DATA

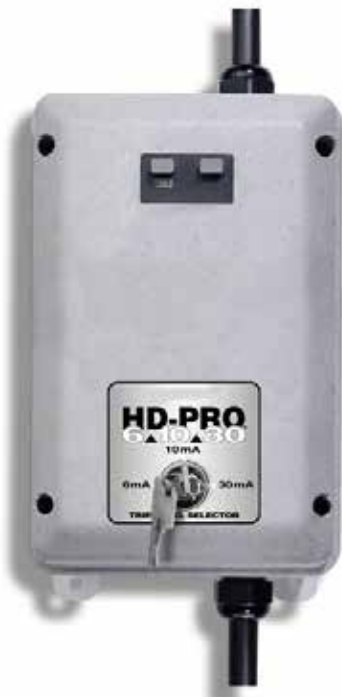
RESPONSE TIME FOR GROUND FAULT	25mS - Typically
FREQUENCY	60 Hz
ENDURANCE	3,000 Operations Minimum
OVERLOAD CURRENT	Six Times Rated Current
OPERATING TEMPERATURE RANGE	-20°C to 40°C
INSULATION VOLTAGE	1500 VRMS - 1 Min.
DROP OUT VOLTAGE	60% Rated Voltage - Typically
RESET TYPE	Auto
CONNECTION TYPE	2 ft Flying Leads
ENCLOSURE	NEMA 4 Polymer
POWER ON INDICATION	Lighted Indicator

PROTECTS

- Motors
- Manufacturing Equipment
- Pumping Systems
- Welders
- Pressure Washers
- Hoists



HD-PRO™ HIGH POWER GFCI/ELCI TRIP LEVEL SELECTOR 6.10.30™



Southwire has engineered a new option for the HD-PRO™ series called 6.10.30™. Configured for both in-line and bulk head mount. This unique new design allows the user to select and lock in the most sensitive trip level at which a specific type of equipment can be operated without nuisance tripping. Adjustable settings include trip levels for 6mA, 10mA and 30mA. Trip level flexibility to meet your needs in one single device - HD-PRO™ with 6.10.30™. 6.10.30™ key enables trip level selection and locking at a trip level with key removal.

FEATURES

24736 001-1 • Volts/Amps: 480V/100A • Cord Gauge: 2/4 AWG • Trip Level: 6, 10 & 30 mA • Three Phase	24786 001-1 • Volts/Amps: 208-240V/80A • Cord Gauge: 4/4 AWG • Trip Level: 6, 10 & 30 mA • Three Phase	24796 001-1 • Volts/Amps: 480V/80A • Cord Gauge: 4/4 AWG • Trip Level: 6, 10 & 30 mA • Three Phase
24946 003-1 • Volts/Amps: 600V/60A • Cord Gauge: 4/4 AWG • Trip Level: 6, 10 & 30 mA • Three Phase	24992 001-1* • Volts/Amps: 600V/80A • Cord Gauge: 4/4 AWG • Trip Level: 6, 10 & 30 mA • Three Phase <i>*Made to order</i>	

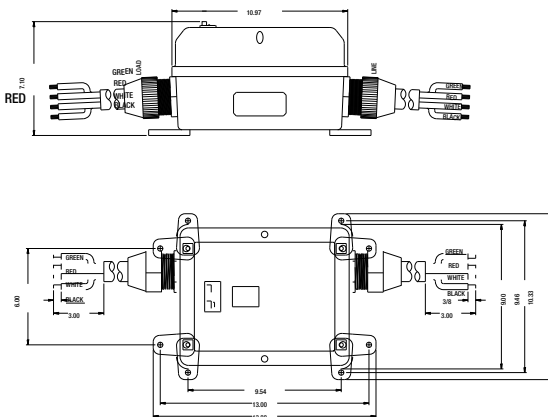
TECHNICAL DATA

FREQUENCY	60 Hz
ENDURANCE	3,000 Operations Minimum
OVERLOAD CURRENT	Six Times Rated Current
OPERATING TEMPERATURE RANGE	-20°C to 40°C
INSULATION VOLTAGE	1500 VRMS - 1 Min.
DROP OUT VOLTAGE	60% Rated Voltage - Typically
RESET TYPE	Auto
CONNECTION TYPE	2 Ft Flying Leads
ENCLOSURE	NEMA 4 Polymer
POWER ON INDICATION	Lighted Indicator

PROTECTS

- Motors
- Portable Conveyors
- Pumping Systems
- Welders
- Pressure Washers
- Freight Lifts

24946 003-1



GFCI/ELCI

HD-PRO™ HIGH POWER GFCI/ELCI TRIP LEVEL SELECTOR 6.10.30™



Configured for both in-line and bulk head mount. Engineered to trip within 25 milliseconds. Has 2' of cable on both line and load side. To prevent equipment startup after GFCI/ELCI trips, manual reset required. Will reset on power restoration following disruption of primary power. 6.10.30™ key enables trip level selection and locking at a trip level with key removal.

FEATURES

- | | | |
|---|---|--|
| 24396 001-1
<ul style="list-style-type: none"> • Volts/Amps: 277V/30A • Cord Gauge: 10/3 AWG • Trip Level: 6, 10 & 30 mA • Single Phase | 24542 001-1
<ul style="list-style-type: none"> • Volts/Amps: 208-240V/60A • Cord Gauge: 4/4 AWG • Trip Level: 6, 10 & 30 mA • Three Phase | 24646 001-1
<ul style="list-style-type: none"> • Volts/Amps: 480V/30A • Cord Gauge: 10/4 AWG • Trip Level: 6, 10 & 30 mA • Three Phase |
| 24672 001-1
<ul style="list-style-type: none"> • Volts/Amps: 480V/60A • Cord Gauge: 4/4 AWG • Trip Level: 6, 10 & 30 mA • Three Phase | 24846 001-1
<ul style="list-style-type: none"> • Volts/Amps: 208-240V/30A • Cord Gauge: 8/5 AWG • Trip Level: 6, 10 & 30 mA • Three Phase | |

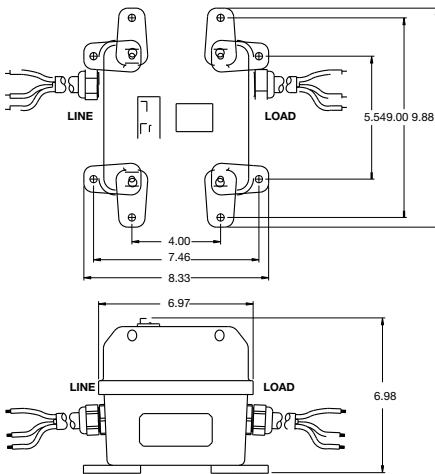
TECHNICAL DATA

RESPONSE TIME FOR GROUND FAULT	25mS - Typically
FREQUENCY	60 Hz
ENDURANCE	3,000 Operations Minimum
OVERLOAD CURRENT	Six Times Rated Current
OPERATING TEMPERATURE RANGE	-20°C to 40°C
INSULATION VOLTAGE	1500 VRMS - 1 Min.
DROP OUT VOLTAGE	60% Rated Voltage - Typically
RESET TYPE	Auto
CONNECTION TYPE	2 ft Flying Leads
ENCLOSURE	NEMA 4 Polymer
POWER ON INDICATION	Lighted Indicator

PROTECTS

- Motors
- Manufacturing Equipment
- Pumping Systems
- Welders
- Pressure Washers
- Hoists

24846 001-1




GFCI/ELCI | HIGH POWER GFCI/ELCI

HD-PRO™ EGFPD AND GFCI/ELCI WITH ADJUSTABLE TRIP LEVELS



High Power Equipment Ground Fault Protective Devices (EGFPD) and GFCI/ELCI Adjustables Configured for both in-line and bulk head mount. Engineered to trip within 25 milliseconds. To prevent equipment startup after EGFPD or GFCI/ELCI trips, manual reset required. Will reset on power restoration following disruption of primary power. Key enables trip level selection and locks at a trip level with key removal.

FEATURES

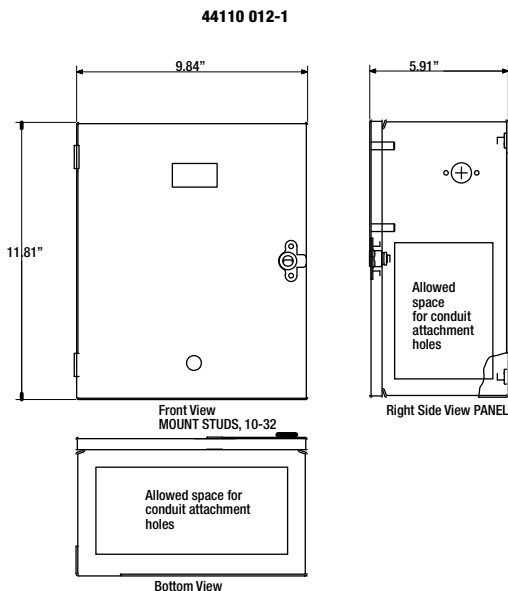
44110 012-1 EGFPD*† • Volts/Amps: 208-240V/30A • Trip Level: 10, 30 & 50 mA • Three Phase	44140 012-1 EGFPD*† • Volts/Amps: 208-240V/60A • Trip Level: 10, 30 & 50 mA • Three Phase	44120 012-1 EGFPD* • Volts/Amps: 480V/30A • Trip Level: 10, 30 & 50 mA • Three Phase
44130 012-1 EGFPD* • Volts/Amps: 480V/60A • Trip Level: 10, 30 & 50 mA • Three Phase	44610 001-1 GFCI/ELCI • Volts/Amps: 208-240V/30A • Trip Level: 6,10 & 30 mA • Three Phase	44640 001-1 GFCI/ELCI† • Volts/Amps: 208-240V/60A • Trip Level: 6,10 & 30 mA • Three Phase
44620 001-1 GFCI/ELCI • Volts/Amps: 480V/30A • Trip Level: 6,10 & 30 mA • Three Phase	44630 001-1 GFCI/ELCI • Volts/Amps: 480V/60A • Trip Level: 6,10 & 30 mA • Three Phase <i>*Made to order</i>	

TECHNICAL DATA

FREQUENCY	60 Hz
ENDURANCE	3,000 Operations Minimum
OVERLOAD CURRENT	Six Times Rated Current
OPERATING TEMPERATURE RANGE	-20°C to 40°C
INSULATION VOLTAGE	1500 VRMS - 1 Min.
DROP OUT VOLTAGE	60% Rated Voltage - Typically
RESET TYPE	Auto
CONNECTION TYPE	2 ft Flying Leads
ENCLOSURE	NEMA 4 Polymer
POWER ON INDICATION	Lighted Indicator

PROTECTS

- Motors
- Manufacturing Equipment
- Pumping Systems
- Welders
- Pressure Washers
- Hoists



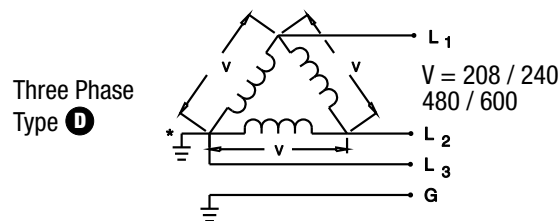
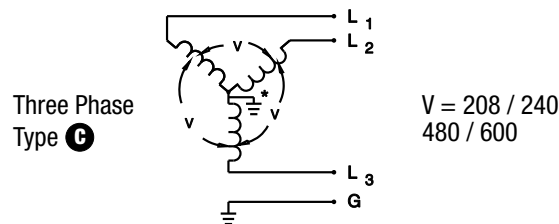
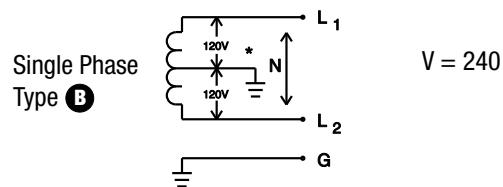
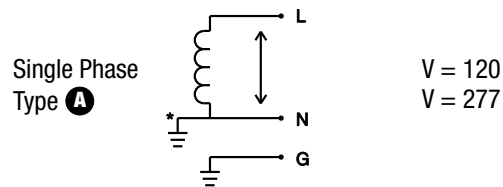
GFCI/ELCI

WIRING INSTRUCTIONS FOR HIGH POWER GFCI/ELCIS

All high power GFCI/ELCIs must be suited for use with solidly grounded systems. The power cords must be connected according to the wiring instructions shown below.

WIRING INSTRUCTIONS			
12V, 277V UNIT	240V 1 ϕ UNIT	208/240V 3 ϕ UNIT	208/480/600V 3 ϕ UNIT
1. Black = Line	1. Black = Line	1. Black = Line	1. Black = Line
2. White = Neutral	2. Red (Pink) = Line	2. Red (Pink) = Line	2. Red (Pink) = Line
3. Green = Ground	3. White = Neutral	3. Orange (Blue) = Line	3. White = Line
	4. Green = Ground	4. White = Neutral	4. Green = Ground
		5. Green = Ground	

CIRCUITRY TYPE



*Grounding Point May Vary

TEMPORARY POWER PRODUCTS

1960/1970 Series X-Treme Box™

Mini X-Treme Box™

Portable Power Cords and Replacement Plugs/ Ends/Adapters

Replacement Plugs/Ends/Adapters

Replacement Plugs & Connectors

Panel Mounted Receptacles & Breakers

GFCI Outlet Tester



TEMP POWER


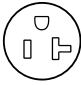



1960/1970 SERIES X-TREME BOX™ DISTRIBUTION UNIT WITH GFCI PROTECTION



This rugged equipment is designed to safely distribute temporary power in areas such as construction sites and other jobsite environments. UL Listed for outdoor use and designed to stand up to the toughest workplace conditions. The 125V/20A receptacles on the unit are protected by individual GFCI's with "Power On" indicators. They also provide open neutral and reverse phasing protection. Each unit has been carefully assembled to provide the ultimate in electrical safety as well as meeting current OSHA requirements.

The units use a 50A California Standard power inlet that distributes power to seven receptacles and a 50A California Standard pass-thru power outlet for daisy-chaining additional units. In addition to the six 125V/20A receptacles, each unit has one additional non-GFCI NEMA L6-30 turn-lock receptacle rated 250V/30A. Over current protection is provided by a full complement of circuit breakers located under an easy-access side panel.

SPECIFICATIONS

PART#	BASE	50A INLET AND FEED THRU	20A OUTLETS(6)	NAME FACE	30A OUTLET	NAME FACE	WT (LBS)
19703R02	Sled Base	50A 125/250V Locking California-Style CS63 Inlet and Outlet 	NEMA 5-20 T Slot single receptacles with dedicated GFCI protection	 6	NEMA L6-30	 1	34
19723R02	Roll Cage		GFCI protection per pair of receptacles				
19763R02	Sled Base		NEMA L5-20 single receptacles with dedicated GFCI Protection	 6	NEMA L6-30	 1	
19603R02	Sled Base		GFCI protection per pair of receptacles				
19623R02	Roll Cage						
19663R02	Sled Base						

Yellow is a standard color, other colors made to order with minimum quantities.



TEMP POWER

MINI X-TREME BOX™ TEMPORARY POWER DISTRIBUTION UNIT WITH GFCI PROTECTION



Southwire's Mini X-Treme Box™ provides more compact and less costly work-site power distribution than our popular full size models. Used along with our restoration adapters, these units are ideal for disaster restoration work where the only available power is from range outlets, dryer outlets or portable generators. Or, they can be used in any situation where a more compact, easier-to-handle unit is desired to safely expand and distribute power on jobsites.

- OSHA and NEC Compliant, c(UL)us Listed, and Certified to CAN/CSA
- Reduces electrical hookup and labor time
- 8-overload, circuit-breaker protected 20 amp straight blade outlets.
- All outlets GFCI protected with open neutral and over-voltage protection
- Compact size for ease of use
- May be used in vertical or horizontal positions

FEATURES

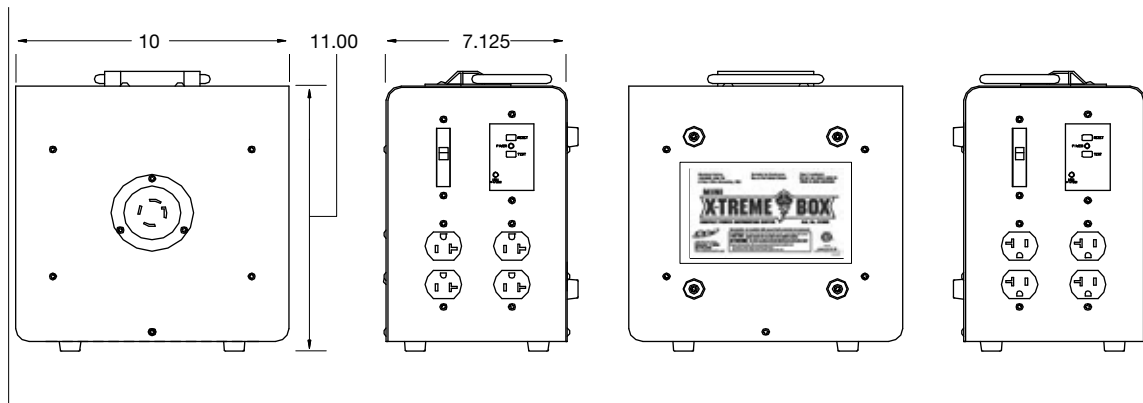
01980

- L14-30P 30A Power Inlet
- 8 – NEMA 5-20R 20A Power Outlets
- 2 – 20A Breakers Overload Protection
- 2 – 20A GFCI auto reset GFCI Protection

Made to meet
OSHA
Specifications



01980



TEMP POWER | MINI X-TREME BOX™

TEMP POWER

TEMP POWER | POWER CORDS

PORTABLE POWER CORDS & REPLACEMENT PLUGS/ENDS/ADAPTERS



Rugged temporary power cords for use with the X-Treme Box™ to handle 50A 3-Pole/4-Wire 125/250v AC; safe appliance extension cords; cords for use in disaster recovery, restoration, renovation or maintenance projects requiring temporary, portable power.

FEATURES

Temporary Power Cords - 125/250V/50A, 6/3 - 8/1 AWG

- 01918 US, 50', Type STOW
- 01919 US, 100', Type STOW
- 01938 Canada, 50', Assembled with UL/cUL Components
- 01939 Canada, 100', Assembled with UL/cUL Components

Made to meet
OSHA
Specifications

Appliance Extension Cords

- 01854 10' Dryer Outlet or 30A Straight Generator Outlet
- 01864 10' Range Outlet or 50A Straight Generator Outlet
- 1493 25' Generator 10/4 STW Yellow Jacket®L14-30P L14-30R*

Disaster Recovery & Restoration Cords - 10/4 SEOW

- 01854 10' 14-30P L14-30R UL/CSA
- 01824 10' 14-30P CA50A UL/CSA
- 01864 10' 14-50P L14-30R UL/CSA
- 01844 10' L14-30P CA50A UUCSA
- 01834 10' 6/3 & 8/1 SEOW 14-50P CA 50A

1493 25ft Generator* 10/4 STW Yellow Jacket®L14-30P L14-30R*

*UL and cUL Listed

REPLACEMENT PLUGS/ENDS/ADAPTERS

Replacement plugs/ends/adapters constructed with impact and chemical resistant nylon, designed to keep out moisture and dust.

FEATURES

50A/125/250V 3-Pole/4-Wire Plugs/Connectors/Adapter

- 05958* Locking Hubbell Male Plug (L)
- 05959* Locking Hubbell Female Connector (L)
- 05974* Locking Male Plug (C)
- 05975* Locking Female Connector (C)
- 01920 6/4 SEOW 50A "Y" Adapter

*UL and CSA Listed

Made to meet
OSHA
Specifications

TEMP POWER

REPLACEMENT PLUGS & CONNECTORS



All jobsites require rugged, safe replacement wiring devices when the need arises. Southwire's construction-grade devices have tough, vinyl or nylon housing with many built-in features for speed and assembly convenience.

NEMA 5-15, 15A 125V Straight Blade Plugs & Connectors

PART #	DESCRIPTION	DUTY
59840000	15A/125V Yellow Vinyl Male-Plug	Construction
59850000	15A/125V Yellow Vinyl Female Connector	Construction
59900000	15A/125V Yellow Rubber Male-Plug	Industrial
59910000	15A/125V Yellow Rubber Female Connector	Industrial
59920000	15A/125V Yellow Watertight Male-Plug	Watertight
59930000	15A/125V Yellow Watertight Female Connector	Watertight

NEMA L5-20, 20A 125V Locking Plugs & Connectors

PART #	DESCRIPTION	DUTY
59860000	20A/125V Locking Nylon Male-Plug	Construction

NEMA L5-20, 20A 125V Locking Plugs & Connectors

PART #	DESCRIPTION	DUTY
59620000	30A/250V Locking Nylon Male-Plug	Construction
59630000	30A/250V Locking Nylon Female Connector	Construction
59640000	30A/250V Locking Nylon Male-Plug	Construction
59930000	15A/125V Yellow Watertight Female Connector	Watertight

NEMA L5-30 & L6-30, 30A 250V Locking Plugs & Connectors

PART #	DESCRIPTION	DUTY
59620000	30A/250V Locking Nylon Male-Plug	Construction
59630000	30A/250V Locking Nylon Female Connector	Construction
59640000	30A/250V Locking Nylon Male-Plug	Construction

PANEL MOUNTED RECEPTACLES & BREAKERS



PART #	DESCRIPTION
18910000	Panel Mount L5-20 Receptacle
18920000	Panel Mount 5-20 Receptacle
1933600	Panel Mount L6-30 Receptacle
18940000	Panel Mount 50A CA-Style Receptacle
18950000	Panel Mount 50A CA-Style Inlet
18960000	Panel Mount 50A CA-Style Inlet w/ Cover
18970000	20A Single Pole Circuit Breaker
18980000	30A Double Pole Circuit Breaker

TEMP POWER | PLUGS & CONNECTORS

CABLE PROTECTION SYSTEMS

Southwire® Cable Protection Systems
Black Jacket™ Light Duty Cable Protector



CABLE PROTECTION

SOUTHWIRE® CABLE PROTECTION SYSTEMS



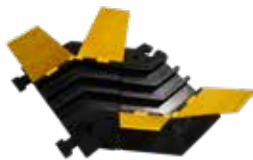
A complete cable protection system. Perfect for any application where cables are in harms way. Eliminates downtime, costly repairs and reduces liability.

APPLICATIONS FOR

- Entertainment Industry
- Institutions and Municipalities
- Industrial, Construction & Utilities



3 Channel Linear
31205-1



3 Channel Right & Left
31206-1,



3 Channel End Cap
31208-1

PART #	DESCRIPTION	CHANNEL QTY	LENGTH (IN.)	WIDTH (IN.)	HEIGHT (IN.)	CHANNEL SIZE (H X W)	WEIGHT (LBS)	LOAD CAPACITY / PER AXLE CAP (LBS)	BASE MATERIAL	CABLE LID
31200-1	Linear	5	35.4375	23.625	2.95	1.96" x 1.38"	52.9	42000/21000	Rubber	EVA (plastic)
31201-1	Left Turn	5	23.625	24.41	2.95	1.96" x 1.38"	24.7	42000/21000	Rubber	EVA (plastic)
31202-1	Right Turn	5	23.625	24.41	2.95	1.96" x 1.38"	24.7	42000/21000	Rubber	EVA (plastic)
31203-1	End Cap (2)	5	7.87	23.625	2.95	1.96" x 1.38"	17.7	42000/21000	Rubber	EVA (plastic)
31205-1	Linear	3	35.4375	23.625	2.95	1.96" x 2.09"	52.9	42000/21000	Rubber	EVA (plastic)
31206-1	Left Turn	3	23.625	24.41	2.95	1.96" x 2.09"	24.7	42000/21000	Rubber	EVA (plastic)
31207-1	Right Turn	3	23.625	24.41	2.95	1.96" x 2.09"	24.7	42000/21000	Rubber	EVA (plastic)
31208-1	End Cap (2)	3	7.87	23.625	2.95	1.96" x 2.09"	17.7	42000/21000	Rubber	EVA (plastic)

BLACK JACKET™ LIGHT DUTY CABLE PROTECTOR

MODEL	DESCRIPTION	LENGTH	WIDTH	HEIGHT	WEIGHT	SLOT SIZE	# OF SLOTS
31108-1	Linear	36"	19"	2"	22 lbs.	1.25"	5
31109-1	End Cap Set	6"	19"	2"	7 lbs.	1.25"	5
31110-1	'Y' for Left & Right Turns	22"	22"	2"	13 lbs.	1.25"	5
31113-1*	T-Section	17.5"	17.5"	2"	13 lbs.	1.25"	5

* BLACK JACKET HAS ONE FEMALE CONNECTOR AND THREE MALE CONNECTORS.

BUILT FOR DURABILITY. BUILT FOR RELIABILITY. BUILT FOR WORK.™ | 37

CABLE PROTECTION | CORDS

OSHA SPECIFICATIONS

DEFINITIONS & STANDARDS

GFCI

A Ground Fault Circuit Interrupter is an LCPD specifically intended for the protection of people from shock hazard. A GFCI is a device that will immediately stop the flow of electricity if it senses any voltage loss, whether the loss is through the ground wire or to your body.

EGFPD

Equipment Ground-Fault Protective Devices (EGFPD) These devices operate to disconnect the electric circuit from the source supply when the ground-fault current exceeds the ground-fault pick up level marked on the equipment. EGFPD's are intended to be installed only on grounded alternating-current systems IAW National Electric code. EGFPD's are intended for use in applications where ground-fault protection of equipment is required. EGFPD's are not intended to be used in place of GFCI where a GFCI is required by NEC.

ELCI

Equipment Leakage Circuit Interrupters are a class of LCPD not considered to be "people protectors," and are generally only intended for equipment protection. ELCIs are virtually identical with ALCIs with the exception that the trip level is set higher than 6mA.

ALCI

Appliance Leakage Current Interrupters are a class of leakage current protection devices closely related to GFCIs. In fact, they share the same limits for trip level and response time. The main difference is that ALCI's are intended for use only in circuits with a solidly grounded neutral conductor.

LCDI

Leakage Current Detection Interrupter cord sets are intended to sense leakage currents flowing between or from conductors of the cord set and interrupt the circuit.

AFCI

Arc Fault Circuit Interrupters are designed to mitigate the affect of electrical arcs. Defined by UL 1699 they can be provided as circuit breakers, outlet devices, combination devices, adapters and cord sets. The AFCI must differentiate a normal arc (i.e., power tool, light switch, etc.) from a bad arc (i.e., a parallel fault in the wiring). To avoid nuisance tripping, the trip levels are quite higher and time longer than GFCIs, ALCIs or LCDIs. A cord type AFCI's maximum trip level is 75A for parallel fault and 5A for a series fault, both of which could be a fire in progress.

PRCD

Portable Residual Current Devices are designed for use in international applications and intended to protect people from electrical shock by interrupting the electrical circuit to a load when a fault current exceeds its rated trip level. They are compliant with IEC and NEMA standards, depending upon your country of use, and are available in 120V to 230V versions with 6-30mA trip levels.

UL STANDARDS

UL Listed products are used in applications where the product is not an integral part of the manufactured system. UL Listed wire and cable products are intended for use within residential, commercial or industrial buildings.

OSHA REGULATIONS

OSHA's scope of regulation covers three major business areas; the Construction Industry, the Maritime Industry and a third category, General Industry, which covers most other business enterprises except for those in mining and agriculture which are overseen by other government agencies. OSHA's regulations are Federal Law and are contained in the U.S. Government's Code of Federal Regulations (CFR). Violations of OSHA regulations can subject companies to legal action and fines.

NEC (NATIONAL ELECTRICAL CODE) STANDARDS

The National Electrical Code (NEC®) requires use of listed products to meet the requirements of various "Articles" within the code.

OSHA SPECIFICATIONS

OSHA REGULATIONS

GROUND FAULT PROTECTION

29CFR1910.304(b)(3)(ii)(A) All 125-volt, single-phase, 15-, 20-, and 30-ampere receptacle outlets that are not part of the permanent wiring of the building or structure and that are in use by personnel shall have ground-fault circuit-interrupter protection for personnel.

Note 1 to paragraph (b)(3)(ii)(A) of this section: A cord connector on an extension cord set is considered to be a receptacle outlet if the cord set is used for temporary electric power.

Note 2 to paragraph (b)(3)(ii)(A) of this section: Cord sets and devices incorporating the required ground-fault circuit-interrupter that are connected to the receptacle closest to the source of power are acceptable forms of protection.

29CFR1910.304(b)(3)(ii)(B) Receptacles other than 125 volt, single-phase, 15-, 20-, and 30-ampere receptacles that are not part of the permanent wiring of the building or structure and that are in use by personnel shall have ground-fault circuit-interrupter protection for personnel.

29CFR1910.304(b)(3)(ii)(C) Where the ground-fault circuit-interrupter protection required by paragraph (b)(3)(ii)(B) of this section is not available for receptacles other than 125-volt, single-phase, 15-, 20-, and 30-ampere, the employer shall establish and implement an assured equipment grounding conductor program covering cord sets, receptacles that are not a part of the building or structure, and equipment connected by cord and plug that are available for use or used by employees on those receptacles. This program shall comply with the following requirements (2 pages...)

1926.404(b)(ii) Ground-fault circuit interrupters. All 120-volt, single-phase, 15- and 20-ampere receptacle outlets on construction sites, which are not a part of the permanent wiring of the building or structure and which are in use by employees, shall have approved ground-fault circuit interrupters for personnel protection. Receptacles on a two-wire, single-phase portable or vehicle-mounted generator rated not more than 5kW, where the circuit conductors of the generator are insulated from the generator frame and all other grounded surfaces, need not be protected with ground-fault circuit interrupters.

CORD PROTECTION

29CFR1910.304(b)(1) Examination. Electric equipment shall be free from recognized hazards that are likely to cause death or serious physical harm to employees. Safety of equipment shall be determined using the following considerations:

(viii) Other factors that contribute to the practical safeguarding of persons using or likely to come in contact with the equipment.

(7) Mechanical execution of work. Electric equipment shall be installed in a neat and workmanlike manner. 29CFR1910.305(a)(2)(x) Flexible cords and cables shall be protected from accidental damage, as might be caused, for example, by sharp corners, projections, and doorways or other pinch points.

29CFR1910.305(a)(2)(xi) Cable assemblies and flexible cords and cables shall be supported in place at intervals that ensure that they will be protected from physical damage. Support shall be in the form of staples, cables ties, straps, or similar type fittings installed so as not to cause damage.

1926.403 (b)(1) the employer shall ensure that electrical equipment is free from recognized hazards that are likely to cause death or serious physical harm to employees. Safety equipment shall be determined on the basis of the following considerations:

(vii) Other factors which contribute to the practical safeguarding of employees using or likely to come in contact with the equipment.

29CFR1926.405(a)(2)(ii)(B) Branch circuits shall originate in a power outlet or panelboard. Conductors shall be run as multiconductor cord or cable assemblies or open conductors, or shall be run in raceways. All conductors shall be protected by overcurrent devices at their ampacity. Runs of open conductors shall be located where the conductors will not be subject to physical damage, and the conductors shall be fastened at intervals not exceeding 10 feet (3.05 m). No branch-circuit conductors shall be laid on the floor. Each branch circuit that supplies receptacles or fixed equipment shall contain a separate equipment grounding conductor if the branch circuit is run as open conductors.

29CFR1926.416(e)(1) Worn or frayed electric cords or cables shall not be used.

CODES & SPECIFICATIONS

2020 NEC NEW STANDARDS IN GFCI PROTECTION

Article 210.63(A) for HVAC equipment & Article 210.63(B) for indoor service equipment and indoor equipment requiring dedicated space

HVAC equipment in a basement is currently covered in code requiring basement circuits to be GFCI protected. HVAC equipment located in attics and other tight area is not currently covered by any GFCI requirement. The CMP recognized that many HVAC areas are typically tight working spaces where technicians perform justified energized work (they can't troubleshoot a de-energized circuit). The 2020 code update assures equipment requiring service has a GFCI protected receptacle outlet that is readily accessible.

Article 210.8(F)

Code is updated for ALL outdoor outlets supplied by single phase branch circuits rated 150 volts to ground or less, 50 amps or less. This increased from 20 amps and now extends beyond receptacles to include ALL outlets and includes ALL hard-wired equipment.

The National Electrical Code (NEC®) requires use of listed products to meet the requirements of various "Articles" within the code.

We currently have the capability and current products that OEM and installers could use to comply with these changes without changing the electrical panel. Existing in line models can be offered as an optional installation kit by the OEM's. The OEM could also choose to have an optional factory installed GFCI built into the equipment that would utilize our panel mount version.

2021 UL 943 GFCI CERTIFICATION REQUIREMENT CHANGES

WHEN IS IT EFFECTIVE: MAY 5, 2021

PARAGRAPHS AFFECTED

Paragraphs 5.16 and 6.27 have been revised to include the extension of Auto-monitoring and end of life requirements to ALL types of GFCI's
Paragraphs 6.31.2 (d) and (e) have been revised to improve the auto-monitoring function of permanently connected GFCI's

WHAT THE CHANGES MEAN

The changes to these paragraphs now requires ALL GFCI circuits to be provided with an auto-monitoring function. Prior to this change the auto-monitoring function was only applicable to permanently connected GFCI's. Now all GFCI's will be required to have periodic, automatic testing of the devices ability to respond to a ground fault. This test will occur each time the power becomes available to the load terminals and will be initiated within 5 seconds of power on and shall be repeated every three hours. If the auto-monitoring circuit detects a problem the circuit will deny power (trip with inability to reset) or trip with the ability to reset, subject to the next auto-monitoring test cycle.

****Southwire GFCI products will self test within 1/10th of a second, after power on, and will self test every 17 minutes****

Reason for the change

In layman's terms, currently, the user has to press the test button on a GFCI device to determine if the GFCI is operational. This is hazardous as many GFCI users do not test the circuit prior to use or during the GFCI lifecycle. Auto-monitoring ensures the GFCI is ALWAYS operational against a potential life threatening ground fault event without user intervention.



Southwire™

TOOLS & EQUIPMENT

GFCI / ELCI / EGFPD

SAFETY CATALOG

GET SOCIAL WITH US:



[/SOUTHWIRETOOLS](#)
[/SOUTHWIRETOOLSLATINO](#)



[@SOUTHWIRETOOLS](#)



[@SOUTHWIRETOOLS](#)



[SOUTHWIRETOOLS](#)

[SOUTHWIRETOOLS.COM](#) | 1-855-SWTOOLS

All Trademarks or Registered Trademarks (TM/®) are owned or licensed by Southwire Company.
Any other TM/®- Trademark or Registered Trademark of Southwire Company.