



**GALVANIZED CONDUIT NIPPLES**

*UL Listed and Labeled*

**GALVANIZED CONDUIT NIPPLES**

| CATALOG NUMBER | DESCRIPTION                | WEIGHT PER 100 PIECES (lbs) | STANDARD CARTON |
|----------------|----------------------------|-----------------------------|-----------------|
| GALNIP1/2X10   | 1/2X10 GALVANIZED NIPPLE   | 68                          | 25              |
| GALNIP3/4X10   | 3/4X10 GALVANIZED NIPPLE   | 89                          | 25              |
| GALNIP1X10     | 1X10 GALVANIZED NIPPLE     | 138                         | 25              |
| GALNIP1-1/4X10 | 1 1/4X10 GALVANIZED NIPPLE | 176                         | 10              |
| GALNIP1-1/2X10 | 1 1/2X10 GALVANIZED NIPPLE | 216                         | 10              |
| GALNIP2X10     | 2X10 GALVANIZED NIPPLE     | 285                         | 10              |
| GALNIP2-1/2X10 | 2 1/2X10 GALVANIZED NIPPLE | 422                         | 5               |
| GALNIP3X10     | 3X10 GALVANIZED NIPPLE     | 528                         | 5               |
| GALNIP3-1/2X10 | 3 1/2X10 GALVANIZED NIPPLE | 655                         | 4               |
| GALNIP4X10     | 4X10 GALVANIZED NIPPLE     | 775                         | 4               |
| GALNIP5X10     | 5X10 GALVANIZED NIPPLE     | 1055                        | BLK             |
| GALNIP6X10     | 6X10 GALVANIZED NIPPLE     | 1440                        | BLK             |
| GALNIP1/2X12   | 1/2X12 GALVANIZED NIPPLE   | 82                          | 25              |
| GALNIP3/4X12   | 3/4X12 GALVANIZED NIPPLE   | 109                         | 25              |
| GALNIP1X12     | 1X12 GALVANIZED NIPPLE     | 166                         | 25              |
| GALNIP1-1/4X12 | 1 1/4X12 GALVANIZED NIPPLE | 216                         | 10              |
| GALNIP1-1/2X12 | 1 1/2X12 GALVANIZED NIPPLE | 260                         | 10              |
| GALNIP2X12     | 2X12 GALVANIZED NIPPLE     | 335                         | 10              |
| GALNIP2-1/2X12 | 2 1/2X12 GALVANIZED NIPPLE | 505                         | 5               |
| GALNIP3X12     | 3X12 GALVANIZED NIPPLE     | 630                         | 5               |
| GALNIP3-1/2X12 | 3 1/2X12 GALVANIZED NIPPLE | 785                         | 4               |
| GALNIP4X12     | 4X12 GALVANIZED NIPPLE     | 925                         | 4               |
| GALNIP5X12     | 5X12 GALVANIZED NIPPLE     | 1260                        | BLK             |
| GALNIP6X12     | 6X12 GALVANIZED NIPPLE     | 1720                        | BLK             |

**APPROVED CONDUCTIVE THREAD COMPOUND**

| CATALOG NUMBER  | DESCRIPTION                                | APP WEIGHT (lbs) | STANDARD CARTON |
|-----------------|--|------------------|-----------------|
| THREAD-COMPOUND | APPROVED CONDUCTIVE COMPOUND-BRUSHTOP PINT | 1                | 1               |

## RIGID CONDUIT NIPPLES

### RIGID CONDUIT NIPPLES • TYPE - RIGID STEEL AND ALUMINUM



**STANDARD NPT TAPERED PIPE THREADS  
AS PER ANSI/ASME B1.20.1 SPECIFICATION.**

Material - Rigid Steel Conduit - (UL6)  
Aluminum Conduit - (UL6A)

**Applicable Specification:**  
Underwriters Laboratories - UL 6 for Rigid  
UL 6A for Aluminum

| Pipe Size (in.) | Pipe O.D. (in.) | Length Close (in.) | Pipe Nipple Lengths |   |       |   |       |   |       |   |       |   |   |   |   |    |    |    |
|-----------------|-----------------|--------------------|---------------------|---|-------|---|-------|---|-------|---|-------|---|---|---|---|----|----|----|
|                 |                 |                    | 1 1/2               | 2 | 2 1/2 | 3 | 3 1/2 | 4 | 4 1/2 | 5 | 5 1/2 | 6 | 7 | 8 | 9 | 10 | 11 | 12 |
| 1/2             | 0.84            | 1 1/8              | 1 1/2               | 2 | 2 1/2 | 3 | 3 1/2 | 4 | 4 1/2 | 5 | 5 1/2 | 6 | 7 | 8 | 9 | 10 | 11 | 12 |
| 3/4             | 1.05            | 1 3/8              | 1 1/2               | 2 | 2 1/2 | 3 | 3 1/2 | 4 | 4 1/2 | 5 | 5 1/2 | 6 | 7 | 8 | 9 | 10 | 11 | 12 |
| 1               | 1.315           | 1 1/2              |                     | 2 | 2 1/2 | 3 | 3 1/2 | 4 | 4 1/2 | 5 | 5 1/2 | 6 | 7 | 8 | 9 | 10 | 11 | 12 |
| 1 1/4           | 1.66            | 1 5/8              |                     | 2 | 2 1/2 | 3 | 3 1/2 | 4 | 4 1/2 | 5 | 5 1/2 | 6 | 7 | 8 | 9 | 10 | 11 | 12 |
| 1 1/2           | 1.9             | 1 3/4              |                     | 2 | 2 1/2 | 3 | 3 1/2 | 4 | 4 1/2 | 5 | 5 1/2 | 6 | 7 | 8 | 9 | 10 | 11 | 12 |
| 2               | 2.375           | 2                  |                     |   | 2 1/2 | 3 | 3 1/2 | 4 | 4 1/2 | 5 | 5 1/2 | 6 | 7 | 8 | 9 | 10 | 11 | 12 |
| 2 1/2           | 2.875           | 2 1/2              |                     |   |       | 3 | 3 1/2 | 4 | 4 1/2 | 5 | 5 1/2 | 6 | 7 | 8 | 9 | 10 | 11 | 12 |
| 3               | 3.5             | 2 5/8              |                     |   |       | 3 | 3 1/2 | 4 | 4 1/2 | 5 | 5 1/2 | 6 | 7 | 8 | 9 | 10 | 11 | 12 |
| 3 1/2           | 4               | 2 3/4              |                     |   |       |   |       | 4 | 4 1/2 | 5 | 5 1/2 | 6 | 7 | 8 | 9 | 10 | 11 | 12 |
| 4               | 4.5             | 2 7/8              |                     |   |       |   |       | 4 | 4 1/2 | 5 | 5 1/2 | 6 | 7 | 8 | 9 | 10 | 11 | 12 |
| 5               | 5.563           | 3                  |                     |   |       |   |       |   | 4 1/2 | 5 | 5 1/2 | 6 | 7 | 8 | 9 | 10 | 11 | 12 |
| 6               | 6.625           | 3 1/8              |                     |   |       |   |       |   | 4 1/2 | 5 | 5 1/2 | 6 | 7 | 8 | 9 | 10 | 11 | 12 |



**GALVANIZED CONDUIT NIPPLES**

*UL Listed and Labeled*

**GALVANIZED CONDUIT NIPPLES**

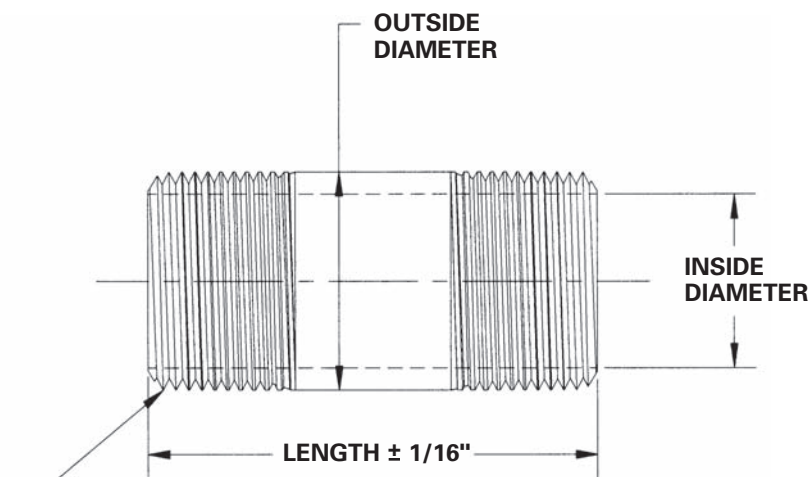
| CATALOG NUMBER | DESCRIPTION                | WEIGHT PER 100 PIECES (lbs) | STANDARD CARTON |
|----------------|----------------------------|-----------------------------|-----------------|
| GALNIP1/2X10   | 1/2X10 GALVANIZED NIPPLE   | 68                          | 25              |
| GALNIP3/4X10   | 3/4X10 GALVANIZED NIPPLE   | 89                          | 25              |
| GALNIP1X10     | 1X10 GALVANIZED NIPPLE     | 138                         | 25              |
| GALNIP1-1/4X10 | 1 1/4X10 GALVANIZED NIPPLE | 176                         | 10              |
| GALNIP1-1/2X10 | 1 1/2X10 GALVANIZED NIPPLE | 216                         | 10              |
| GALNIP2X10     | 2X10 GALVANIZED NIPPLE     | 285                         | 10              |
| GALNIP2-1/2X10 | 2 1/2X10 GALVANIZED NIPPLE | 422                         | 5               |
| GALNIP3X10     | 3X10 GALVANIZED NIPPLE     | 528                         | 5               |
| GALNIP3-1/2X10 | 3 1/2X10 GALVANIZED NIPPLE | 655                         | 4               |
| GALNIP4X10     | 4X10 GALVANIZED NIPPLE     | 775                         | 4               |
| GALNIP5X10     | 5X10 GALVANIZED NIPPLE     | 1055                        | BLK             |
| GALNIP6X10     | 6X10 GALVANIZED NIPPLE     | 1440                        | BLK             |
| GALNIP1/2X12   | 1/2X12 GALVANIZED NIPPLE   | 82                          | 25              |
| GALNIP3/4X12   | 3/4X12 GALVANIZED NIPPLE   | 109                         | 25              |
| GALNIP1X12     | 1X12 GALVANIZED NIPPLE     | 166                         | 25              |
| GALNIP1-1/4X12 | 1 1/4X12 GALVANIZED NIPPLE | 216                         | 10              |
| GALNIP1-1/2X12 | 1 1/2X12 GALVANIZED NIPPLE | 260                         | 10              |
| GALNIP2X12     | 2X12 GALVANIZED NIPPLE     | 335                         | 10              |
| GALNIP2-1/2X12 | 2 1/2X12 GALVANIZED NIPPLE | 505                         | 5               |
| GALNIP3X12     | 3X12 GALVANIZED NIPPLE     | 630                         | 5               |
| GALNIP3-1/2X12 | 3 1/2X12 GALVANIZED NIPPLE | 785                         | 4               |
| GALNIP4X12     | 4X12 GALVANIZED NIPPLE     | 925                         | 4               |
| GALNIP5X12     | 5X12 GALVANIZED NIPPLE     | 1260                        | BLK             |
| GALNIP6X12     | 6X12 GALVANIZED NIPPLE     | 1720                        | BLK             |

**APPROVED CONDUCTIVE THREAD COMPOUND**

| CATALOG NUMBER  | DESCRIPTION                                | APP WEIGHT (lbs) | STANDARD CARTON |
|-----------------|--|------------------|-----------------|
| THREAD-COMPOUND | APPROVED CONDUCTIVE COMPOUND-BRUSHTOP PINT | 1                | 1               |

## RIGID CONDUIT NIPPLES

### RIGID CONDUIT NIPPLES • TYPE - RIGID STEEL AND ALUMINUM



**STANDARD NPT TAPERED PIPE THREADS  
AS PER ANSI/ASME B1.20.1 SPECIFICATION.**

Material - Rigid Steel Conduit - (UL6)  
Aluminum Conduit - (UL6A)

**Applicable Specification:**  
Underwriters Laboratories - UL 6 for Rigid  
UL 6A for Aluminum

| Pipe Size (in.) | Pipe O.D. (in.) | Length Close (in.) | Pipe Nipple Lengths |   |       |   |       |   |       |   |       |   |   |   |   |    |    |    |
|-----------------|-----------------|--------------------|---------------------|---|-------|---|-------|---|-------|---|-------|---|---|---|---|----|----|----|
|                 |                 |                    | 1 1/2               | 2 | 2 1/2 | 3 | 3 1/2 | 4 | 4 1/2 | 5 | 5 1/2 | 6 | 7 | 8 | 9 | 10 | 11 | 12 |
| 1/2             | 0.84            | 1 1/8              | 1 1/2               | 2 | 2 1/2 | 3 | 3 1/2 | 4 | 4 1/2 | 5 | 5 1/2 | 6 | 7 | 8 | 9 | 10 | 11 | 12 |
| 3/4             | 1.05            | 1 3/8              | 1 1/2               | 2 | 2 1/2 | 3 | 3 1/2 | 4 | 4 1/2 | 5 | 5 1/2 | 6 | 7 | 8 | 9 | 10 | 11 | 12 |
| 1               | 1.315           | 1 1/2              |                     | 2 | 2 1/2 | 3 | 3 1/2 | 4 | 4 1/2 | 5 | 5 1/2 | 6 | 7 | 8 | 9 | 10 | 11 | 12 |
| 1 1/4           | 1.66            | 1 5/8              |                     | 2 | 2 1/2 | 3 | 3 1/2 | 4 | 4 1/2 | 5 | 5 1/2 | 6 | 7 | 8 | 9 | 10 | 11 | 12 |
| 1 1/2           | 1.9             | 1 3/4              |                     | 2 | 2 1/2 | 3 | 3 1/2 | 4 | 4 1/2 | 5 | 5 1/2 | 6 | 7 | 8 | 9 | 10 | 11 | 12 |
| 2               | 2.375           | 2                  |                     |   | 2 1/2 | 3 | 3 1/2 | 4 | 4 1/2 | 5 | 5 1/2 | 6 | 7 | 8 | 9 | 10 | 11 | 12 |
| 2 1/2           | 2.875           | 2 1/2              |                     |   |       | 3 | 3 1/2 | 4 | 4 1/2 | 5 | 5 1/2 | 6 | 7 | 8 | 9 | 10 | 11 | 12 |
| 3               | 3.5             | 2 5/8              |                     |   |       | 3 | 3 1/2 | 4 | 4 1/2 | 5 | 5 1/2 | 6 | 7 | 8 | 9 | 10 | 11 | 12 |
| 3 1/2           | 4               | 2 3/4              |                     |   |       |   |       | 4 | 4 1/2 | 5 | 5 1/2 | 6 | 7 | 8 | 9 | 10 | 11 | 12 |
| 4               | 4.5             | 2 7/8              |                     |   |       |   |       | 4 | 4 1/2 | 5 | 5 1/2 | 6 | 7 | 8 | 9 | 10 | 11 | 12 |
| 5               | 5.563           | 3                  |                     |   |       |   |       |   | 4 1/2 | 5 | 5 1/2 | 6 | 7 | 8 | 9 | 10 | 11 | 12 |
| 6               | 6.625           | 3 1/8              |                     |   |       |   |       |   | 4 1/2 | 5 | 5 1/2 | 6 | 7 | 8 | 9 | 10 | 11 | 12 |