



122-TI/T ROD TO Z PURLIN CLIP, 0.375" HOLE, PLAIN, 0.0625"-0.25" FLANGE

CATALOG NUMBER

1226T



CERTIFICATIONS



FEATURES

Hammer-on clip compensates for angle of purlin

Provides method for attaching rod to purlin

PRODUCT ATTRIBUTES

Material: Spring Steel

Finish: nVent CADDY Armour

Hole Size (HS): 3/8"

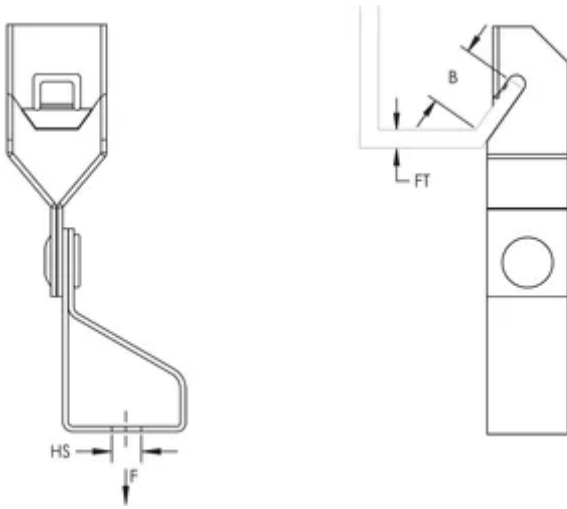
Hole Type: Plain

Flange Thickness (FT): 0.0600" - 1/4"

B: 9/16" Min

Static Load (F): 100lb

DIAGRAMS



WARNING

nVent products shall be installed and used only as indicated in nVent's product instruction sheets and training materials. Instruction sheets are available at www.nvent.com and from your nVent customer service representative. Improper installation, misuse, misapplication or other failure to completely follow nVent's instructions and warnings may cause product malfunction, property damage, serious bodily injury and death and/or void your warranty.

North America

+1.800.753.9221
Option 1 – Customer Care
Option 2 – Technical Support

Europe

Netherlands:
+31 800-0200135
France:
+33 800 901 793

Europe

Germany:
800 1890272
Other Countries:
+31 13 5835404

APAC

Shanghai:
+ 86 21 2412 1618/19
Sydney:
+61 2 9751 8500



Our powerful portfolio of brands:
nVent.com CADDY ERICO HOFFMAN RAYCHEM SCHROFF
TRACER



122-TI/T ROD TO Z PURLIN CLIP, 0.375" HOLE, PLAIN, 0.0625"-0.25" FLANGE

CATALOG NUMBER

1226T



CERTIFICATIONS



FEATURES

Hammer-on clip compensates for angle of purlin

Provides method for attaching rod to purlin

PRODUCT ATTRIBUTES

Material: Spring Steel

Finish: nVent CADDY Armour

Hole Size (HS): 3/8"

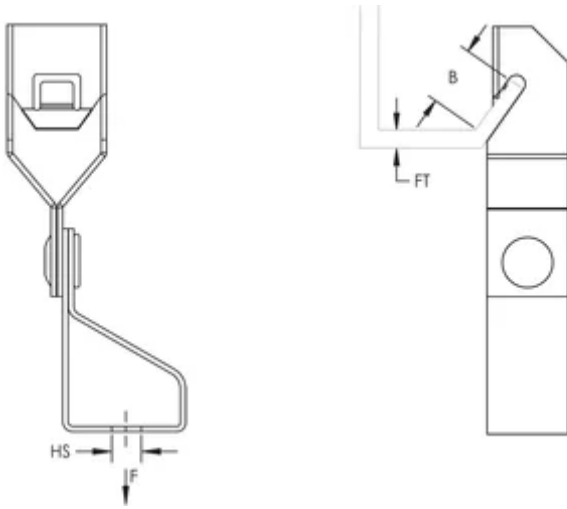
Hole Type: Plain

Flange Thickness (FT): 0.0600" - 1/4"

B: 9/16" Min

Static Load (F): 100lb

DIAGRAMS



WARNING

nVent products shall be installed and used only as indicated in nVent's product instruction sheets and training materials. Instruction sheets are available at www.nvent.com and from your nVent customer service representative. Improper installation, misuse, misapplication or other failure to completely follow nVent's instructions and warnings may cause product malfunction, property damage, serious bodily injury and death and/or void your warranty.

North America

+1.800.753.9221
Option 1 – Customer Care
Option 2 – Technical Support

Europe

Netherlands:
+31 800-0200135
France:
+33 800 901 793

Europe

Germany:
800 1890272
Other Countries:
+31 13 5835404

APAC

Shanghai:
+ 86 21 2412 1618/19
Sydney:
+61 2 9751 8500



Our powerful portfolio of brands:
nVent.com **CADDY ERICO HOFFMAN RAYCHEM SCHROFF**
TRACER