

## DESCRIPTION

The Zuma 1212 is a rugged ADA-compliant recessed mounted step light for use with low voltage or line voltage incandescent lamp sources. The housing is constructed from corrosion-proof injection-molded polycarbonate. Louvered or open face plates are available in injection-molded polycarbonate or die-cast aluminum. All models can be mounted in non-combustible surfaces such as brick, concrete or stone.

|             |  |      |
|-------------|--|------|
| Catalog #   |  | Type |
| Project     |  |      |
| Comments    |  | Date |
| Prepared by |  |      |

## SPECIFICATION FEATURES

### A ... Material

Recessed mounted housing is constructed from corrosion-proof injection-molded polycarbonate. Housing includes two 1/2" NPS threaded holes for easy through wiring. Face plate is available in corrosion-proof injection-molded poly-carbonate or corrosion-resistant die-cast silicone aluminum.

### B ... Finish

Die-cast aluminum face plates are double protected by a chromate conversion undercoating and polyester powdercoat paint finish, surpassing the rigorous demands of the outdoor environment. A variety of standard colors are available. Injection-molded polycarbonate face plates are available in black or white.

### C ... Reflector

Specular pebblestone aluminum reflector is standard to provide high lumen output and even illumination.

### D ... Gasket

Housing and face plate are sealed with a high temperature silicone o-ring gasket to prevent water intrusion.

### E ... Lens

Fixtures that utilize a louvered face plate include a clear tempered glass lens, factory sealed with high temperature adhesive to prevent water intrusion and breakage due to thermal shock. Fixtures that utilize an open face plate include a diffused tempered glass lens.

### F ... Hardware

Stainless steel hardware is standard to provide maximum corrosion-resistance.

### G ... Socket

INC18: Ceramic socket with 250° C Teflon® coated lead wires and D.C. bayonet base. INC20: Ceramic socket with 250° C Teflon® coated lead wires and D.C. bayonet base.

### H ... Electrical

INC18 (12V): Remote 12V transformer required (not included). Available from Lumière as an accessory - see the Accessories & Technical Data section of this catalog for details. INC20 (120V): Operates with 120V line voltage.

### I ... Lamp

Lamp(s) included as standard.

### J ... Labels & Approvals

UL and cUL listed, standard wet label. Manufactured to ISO 9001-2000 Quality Systems Standard. IBEW union made.

### K ... Warranty

Lumière warrants its fixtures against defects in materials & workmanship for three (3) years. Auxiliary equipment such as transformers, ballasts and lamps carry the original manufacturer's warranty.



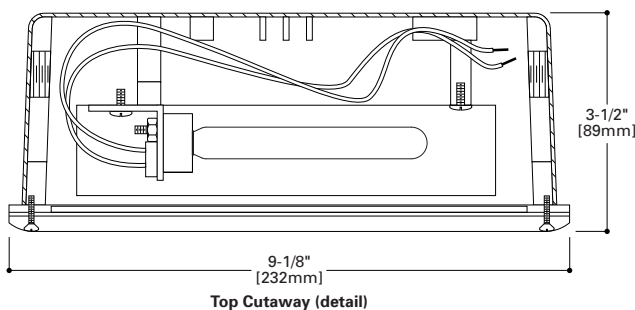
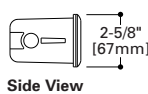
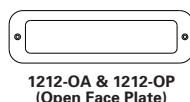
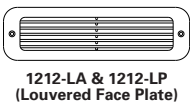
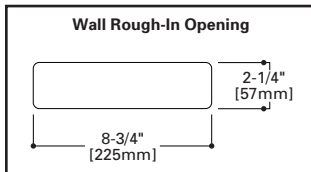
ZUMA  
1212-LA  
1212-OA  
1212-LP  
1212-OP

(2) 18W (max.) S8  
Incandescent  
Low Voltage

20W (max.) T6.5  
Incandescent  
Line Voltage

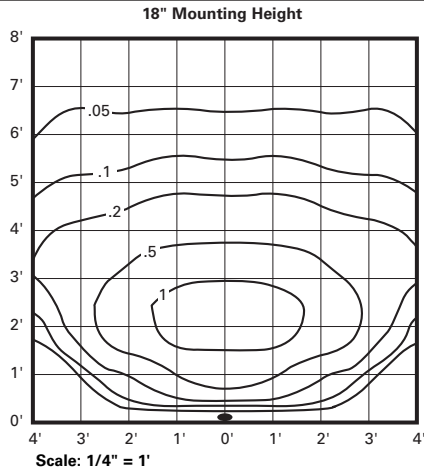
Step Light

ADA-COMPLIANT

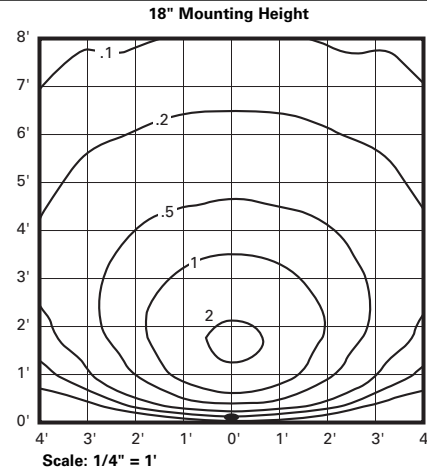


Zuma 1212-LP-INC18 Test No. H45001 Lamp=(2)18S-8 Lumens=264 Zuma 1212-OP-INC18 Test No. H45002 Lamp=(2)18S-8 Lumens=264

ISO Footcandle Plot



ISO Footcandle Plot



LAMP INFORMATION

| Lamp   | ANSI Code | Watts | Beam Spread | CBCP | °K  | Life (hrs.) | Base         | Volts |
|--------|-----------|-------|-------------|------|-----|-------------|--------------|-------|
| 20T6.5 | ---       | 20    | ---         | 90   | --- | 5000        | D.C. bayonet | 120   |
| 18S-8  | 1142      | 18    | ---         | ---  | --- | 1500        | D.C. bayonet | 12    |

NOTE: Inferior quality lamps may adversely affect the performance of this product. Use only name brand lamps from reputable lamp manufacturers.

NOTES AND FORMULAS

- Beam diameter is to 50% of maximum footcandles, rounded to the nearest half-foot.
- Footcandle values are initial. Apply appropriate light loss factors where necessary.

ORDERING INFORMATION

|   |   |   |  |
|---|---|---|--|
| <p><b>Series</b><br/>1212=Polycarbonate Housing, Incandescent Zuma Step Light</p> | <p><b>Face Plate</b><br/> <b>LA</b>=Louvered Aluminum Face Plate<br/> <b>OA</b>=Open Aluminum Face Plate<br/> <b>LP</b>=Louvered Polycarbonate Face Plate<sup>1</sup><br/> <b>OP</b>=Open Polycarbonate Face Plate<sup>1</sup></p> <p><b>Source</b><br/> <b>Incandescent (Line Voltage)</b><br/> <b>INC20</b>=20W Max T6.5 Incandescent, D.C. Bayonet Base<br/> <b>Incandescent (12V remote transformer required-not included)</b><br/> <b>INC18</b>=18W Max S8 Incandescent, D.C. Bayonet Base</p> | <p><b>Voltage</b><br/> <b>Incandescent (Line Voltage)</b><br/> <b>120</b>=120V<br/> <b>Incandescent (12V remote transformer required-not included)</b><br/> <b>12</b>=12V</p> | <p><b>Finish</b><br/> <b>Painted</b><br/> <b>BK</b>=Black<br/> <b>BZ</b>=Bronze<br/> <b>CS</b>=City Silver<br/> <b>VE</b>=Verde<br/> <b>WT</b>=White<br/> <b>Polycarbonate</b><br/> <b>BK</b>=Black<br/> <b>WT</b>=White</p> |
|---|---|---|--|

- Notes: 1 Black or white finish only.
- Lamp included.
  - See ACCESSORIES & TECHNICAL DATA section of the Lumière catalog for Low Voltage Cable & Transformers.
  - Consult your Cooper Lighting representative for additional options and finishes.

## DESCRIPTION

The Zuma 1212 is a rugged ADA-compliant recessed mounted step light for use with low voltage or line voltage incandescent lamp sources. The housing is constructed from corrosion-proof injection-molded polycarbonate. Louvered or open face plates are available in injection-molded polycarbonate or die-cast aluminum. All models can be mounted in non-combustible surfaces such as brick, concrete or stone.

|             |  |      |
|-------------|--|------|
| Catalog #   |  | Type |
| Project     |  |      |
| Comments    |  | Date |
| Prepared by |  |      |

## SPECIFICATION FEATURES

### A ... Material

Recessed mounted housing is constructed from corrosion-proof injection-molded polycarbonate. Housing includes two 1/2" NPS threaded holes for easy through wiring. Face plate is available in corrosion-proof injection-molded poly-carbonate or corrosion-resistant die-cast silicone aluminum.

### B ... Finish

Die-cast aluminum face plates are double protected by a chromate conversion undercoating and polyester powdercoat paint finish, surpassing the rigorous demands of the outdoor environment. A variety of standard colors are available. Injection-molded polycarbonate face plates are available in black or white.

### C ... Reflector

Specular pebblestone aluminum reflector is standard to provide high lumen output and even illumination.

### D ... Gasket

Housing and face plate are sealed with a high temperature silicone o-ring gasket to prevent water intrusion.

### E ... Lens

Fixtures that utilize a louvered face plate include a clear tempered glass lens, factory sealed with high temperature adhesive to prevent water intrusion and breakage due to thermal shock. Fixtures that utilize an open face plate include a diffused tempered glass lens.

### F ... Hardware

Stainless steel hardware is standard to provide maximum corrosion-resistance.

### G ... Socket

INC18: Ceramic socket with 250° C Teflon® coated lead wires and D.C. bayonet base. INC20: Ceramic socket with 250° C Teflon® coated lead wires and D.C. bayonet base.

### H ... Electrical

INC18 (12V): Remote 12V transformer required (not included). Available from Lumière as an accessory - see the Accessories & Technical Data section of this catalog for details. INC20 (120V): Operates with 120V line voltage.

### I ... Lamp

Lamp(s) included as standard.

### J ... Labels & Approvals

UL and cUL listed, standard wet label. Manufactured to ISO 9001-2000 Quality Systems Standard. IBEW union made.

### K ... Warranty

Lumière warrants its fixtures against defects in materials & workmanship for three (3) years. Auxiliary equipment such as transformers, ballasts and lamps carry the original manufacturer's warranty.



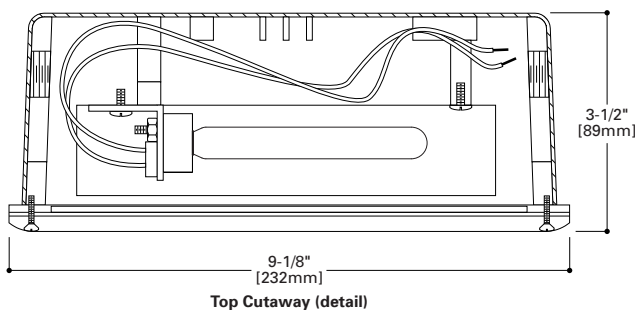
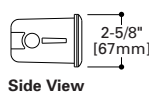
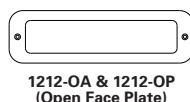
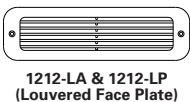
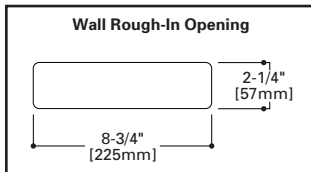
ZUMA  
1212-LA  
1212-OA  
1212-LP  
1212-OP

(2) 18W (max.) S8  
Incandescent  
Low Voltage

20W (max.) T6.5  
Incandescent  
Line Voltage

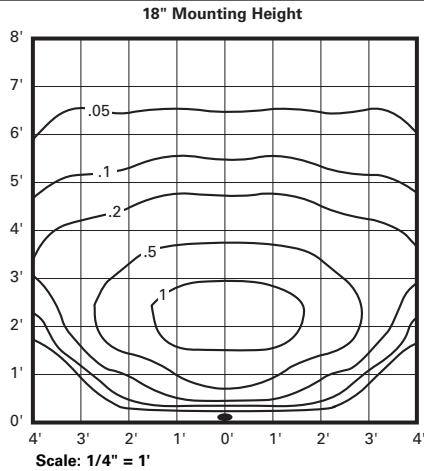
Step Light

ADA-COMPLIANT

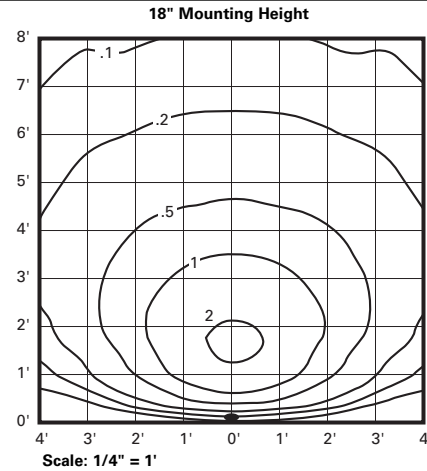


Zuma 1212-LP-INC18 Test No. H45001 Lamp=(2)18S-8 Lumens=264 Zuma 1212-OP-INC18 Test No. H45002 Lamp=(2)18S-8 Lumens=264

ISO Footcandle Plot



ISO Footcandle Plot



LAMP INFORMATION

| Lamp   | ANSI Code | Watts | Beam Spread | CBCP | °K  | Life (hrs.) | Base         | Volts |
|--------|-----------|-------|-------------|------|-----|-------------|--------------|-------|
| 20T6.5 | ---       | 20    | ---         | 90   | --- | 5000        | D.C. bayonet | 120   |
| 18S-8  | 1142      | 18    | ---         | ---  | --- | 1500        | D.C. bayonet | 12    |

NOTE: Inferior quality lamps may adversely affect the performance of this product. Use only name brand lamps from reputable lamp manufacturers.

NOTES AND FORMULAS

- Beam diameter is to 50% of maximum footcandles, rounded to the nearest half-foot.
- Footcandle values are initial. Apply appropriate light loss factors where necessary.

ORDERING INFORMATION

|   |   |   |  |
|---|---|---|--|
| <p><b>Series</b><br/>1212=Polycarbonate Housing, Incandescent Zuma Step Light</p> | <p><b>Face Plate</b><br/> <b>LA</b>=Louvered Aluminum Face Plate<br/> <b>OA</b>=Open Aluminum Face Plate<br/> <b>LP</b>=Louvered Polycarbonate Face Plate<sup>1</sup><br/> <b>OP</b>=Open Polycarbonate Face Plate<sup>1</sup></p> <p><b>Source</b><br/> <b>Incandescent (Line Voltage)</b><br/> <b>INC20</b>=20W Max T6.5 Incandescent, D.C. Bayonet Base<br/> <b>Incandescent (12V remote transformer required-not included)</b><br/> <b>INC18</b>=18W Max S8 Incandescent, D.C. Bayonet Base</p> | <p><b>Voltage</b><br/> <b>Incandescent (Line Voltage)</b><br/> <b>120</b>=120V<br/> <b>Incandescent (12V remote transformer required-not included)</b><br/> <b>12</b>=12V</p> | <p><b>Finish</b><br/> <b>Painted</b><br/> <b>BK</b>=Black<br/> <b>BZ</b>=Bronze<br/> <b>CS</b>=City Silver<br/> <b>VE</b>=Verde<br/> <b>WT</b>=White<br/> <b>Polycarbonate</b><br/> <b>BK</b>=Black<br/> <b>WT</b>=White</p> |
|---|---|---|--|

- Notes: 1 Black or white finish only.
- Lamp included.
  - See ACCESSORIES & TECHNICAL DATA section of the Lumière catalog for Low Voltage Cable & Transformers.
  - Consult your Cooper Lighting representative for additional options and finishes.