



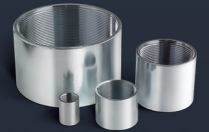
**ECN / KORNS**  
RACEWAY DIVISION

# Buyer's Guide



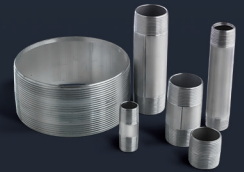
## Elbows

Galvanized  
EMT  
Aluminum



## Couplings

Galvanized  
Aluminum



## Nipples

Galvanized  
Aluminum



## Clamps

Right Angle (RA) Conduit Supports  
Edge Type (ET) Conduit Supports  
One Hole Straps  
Clampback Spacers  
U-Bolts  
SS Hardware  
Parallels (PAR)  
Beam Clamps

UL Listed and Labeled

### Rigid Steel Conduit Galvanized Couplings

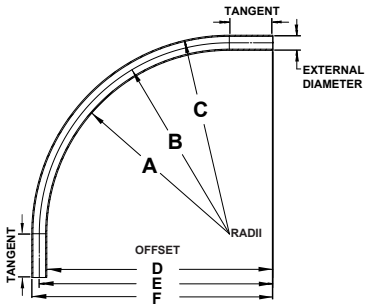
Catalog Number	Description	Weight Per 100 Pieces (lbs)	Standard Carton
GALCPLG1/2	1/2" GALVANIZED COUPLINGS	12	100
GALCPLG3/4	3/4" GALVANIZED COUPLINGS	18	50
GALCPLG1	1" GALVANIZED COUPLINGS	31	50
GALCPLG1-1/4	1-1/4" GALVANIZED COUPLINGS	40	50
GALCPLG1-1/2	1-1/2" GALVANIZED COUPLINGS	52	50
GALCPLG2	2" GALVANIZED COUPLINGS	73	20
GALCPLG2-1/2	2-1/2" GALVANIZED COUPLINGS	179	12
GALCPLG3	3" GALVANIZED COUPLINGS	221	12
GALCPLG3-1/2	3-1/2" GALVANIZED COUPLINGS	355	12
GALCPLG4	4" GALVANIZED COUPLINGS	313	12
GALCPLG5	5" GALVANIZED COUPLINGS	432	BLK
GALCPLG6	6" GALVANIZED COUPLINGS	730	BLK

UL Listed and Labeled

### Rigid Conduit Standard Radius Elbows

Catalog Number	Description	Weight Per 100 Pieces (lbs)	Standard Carton	Radius
GALELB1/2X90	1/2X90 GALVANIZED ELBOWS	75	50	4.25"
GALELB3/4X90	3/4X90 GALVANIZED ELBOWS	109	50	4.50"
GALELB1X90	1X90 GALVANIZED ELBOWS	189	25	5.75"
GALELB1-1/4X90	1-1/4X90 GALVANIZED ELBOWS	303	10	7.25"
GALELB1-1/2X90	1-1/2X90 GALVANIZED ELBOWS	416	15	8.25"
GALELB2X90	2X90 GALVANIZED ELBOWS	635	10	9.50"
GALELB2-1/2X90	2-1/2X90 GALVANIZED ELBOWS	1217	BLK	10.50"
GALELB3X90	3X90 GALVANIZED ELBOWS	1801	BLK	13.00"
GALELB3-1/2X90	3-1/2X90 GALVANIZED ELBOWS	2684	BLK	15.00"
GALELB4X90	4X90 GALVANIZED ELBOWS	3166	BLK	16.00"
GALELB5X90	5X90 GALVANIZED ELBOWS	6339	BLK	24.00"
GALELB6X90	6X90 GALVANIZED ELBOWS	10575	BLK	30.00"
GALELB1/2X45	1/2X45 GALVANIZED ELBOWS	64	50	4.25"
GALELB3/4X45	3/4X45 GALVANIZED ELBOWS	93	50	4.50"
GALELB1X45	1X45 GALVANIZED ELBOWS	161	25	5.75"
GALELB1-1/4X45	1-1/4X45 GALVANIZED ELBOWS	258	10	7.25"
GALELB1-1/2X45	1-1/2X45 GALVANIZED ELBOWS	354	15	8.25"
GALELB2X45	2X45 GALVANIZED ELBOWS	540	10	9.50"
GALELB2-1/2X45	2-1/2X45 GALVANIZED ELBOWS	1034	BLK	10.50"
GALELB3X45	3X45 GALVANIZED ELBOWS	1531	BLK	13.00"
GALELB3-1/2X45	3-1/2X45 GALVANIZED ELBOWS	2281	BLK	15.00"
GALELB4X45	4X45 GALVANIZED ELBOWS	2691	BLK	16.00"
GALELB5X45	5X45 GALVANIZED ELBOWS	5388	BLK	24.00"
GALELB6X45	6X45 GALVANIZED ELBOWS	8989	BLK	30.00"

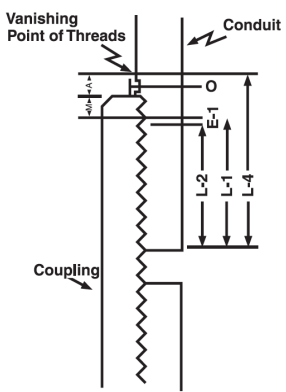
Weights shown are approximate for 90° elbows. To arrive at weights for 45° elbows deduct 15%. Sizes 2-1/2 " and larger shipped in palletized cartons or bulk, thread protectors each end and ECN/Korns identifying label.



### Conduit 90° Standard Radius Elbows

Nominal Size (in.)	Diameters		Unbent Length (in.)	Radii			Offset			Tangent (in.)	Steel Approx. Weight per 100 Pieces (lbs.)
	External (in.)	Internal (in.)		A (in.)	B (in.)	C (in.)	D (in.)	E (in.)	F (in.)		
1/2	.840	.622	11¼	3.83	4.25	4.67	6.08	6.50	6.92	2.25	75
3/4	1.050	.824	12½	3.98	4.50	5.03	6.73	7.25	7.78	2.75	111
1	1.315	1.049	14¾	5.09	5.75	6.41	8.00	8.625	9.285	2.875	195
1 1/4	1.660	1.380	17¾	6.42	7.25	8.08	9.607	10.437	11.267	3.187	320
1 1/2	1.900	1.610	19¾	7.30	8.25	9.20	10.675	11.625	12.575	3.375	423
2	2.375	2.067	22½	8.31	9.50	10.69	12.123	13.313	14.50	3.813	671
2 1/2	2.875	2.469	28	9.06	10.50	11.94	14.81	16.25	17.69	5.753	1,288
3	3.500	3.068	32	11.25	13.00	14.75	17.00	18.75	20.50	5.753	1,926
3 1/2	4.000	3.548	39½	13.00	15.00	17.00	20.97	22.97	24.97	7.96	2,853
4	4.500	4.026	39½	13.75	16.00	18.25	20.93	23.18	25.43	7.18	3,373
5	5.563	5.047	59½	21.22	24.00	26.78	32.12	34.90	37.68	10.90	7,388
6	6.625	6.065	76	26.68	30.00	33.31	40.13	43.44	46.75	14.44	12,287

All dimensions are approximate.



### Conduit Thread and Coupling Dimensions

Conduit		Threads					Coupling*		
Nominal Size	Threads Per Inch (No.)	Length from End of Pipe to Hand-Tight Plane (L-1)	Effective Length (L-2)	Total Length of Threads to Vanish Point (L-4)	Pitch Diameter at End of Thread 3/4" Taper per Ft.	Pitch Diameter at Hand-Tight Plane (E-1)	Length from Hand-Tight Plane to Face Coupling (M)	Dia. of Counter-sink (Q)	Hand-Tight Stand Off Basic Inches (A)
1/2	14	.5658	.5337	.7815	.7584	.7938	.1086	.840	1½
3/4	14	.5778	.5457	.7935	.9677	1.0038	.1086	1.050	1½
1	11-1/2	.7217	.6828	.9845	1.2136	1.2587	.1323	1.315	1½
1-1/4	11-1/2	.7457	.7068	1.0085	1.5571	1.6037	.1323	1.660	1½
1-1/2	11-1/2	.7624	.7235	1.0252	1.7961	1.8437	.1323	1.900	1½
2	11-1/2	.7954	.7565	1.0582	2.2690	2.3187	.1323	2.375	1½
2-1/2	8	1.1935	1.1375	1.5712	2.7195	2.7941	.1902	2.875	1½
3	8	1.2560	1.2000	1.6337	3.3406	3.4191	.1902	3.500	1½
3-1/2	8	1.3060	1.2500	1.6837	3.8375	3.9191	.1902	4.000	1½
4	8	1.3560	1.3000	1.7337	4.3344	4.4191	.1902	4.500	1½
5	8	1.4623	1.4063	1.8400	5.3907	5.4821	.1902	5.563	1½
6	8	1.5685	1.5125	1.9462	6.4461	6.5441	.1902	6.625	1½

\*Couplings are straight tapped.

Tolerance, thread length = ±1 thread. Plus or minus 1 turn is the maximum variation permitted from the gaging face of the working thread gages. This is equivalent to plus or minus 1 and 1/2 turns from basic dimensions, since a variation of plus or minus 1/2 turn from basic dimensions is permitted in working gages.

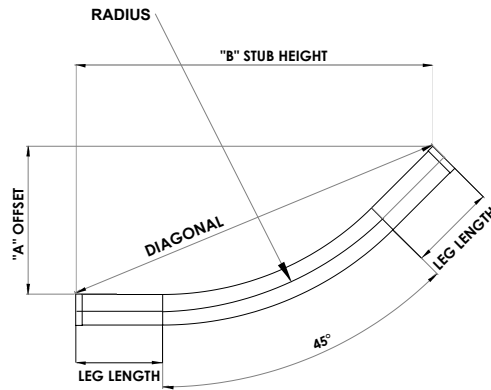
**Galvanized Special Radius Elbows (Factory Mandrel Tested)**

Catalog Number	Description	App Weight (lbs)	Standard Carton
GALELB3/4X90X12	3/4X90X12 LG RADIUS GALVANIZED ELBOW	4	BLK
GALELB1X90X12	1X90X12 LG RADIUS GALVANIZED ELBOW	4	BLK
GALELB1-1/4X90X12	1-1/4X90X12 LG RADIUS GALVANIZED ELBOW	4	BLK
GALELB1-1/2X90X12	1-1/2X90X12 LG RADIUS GALVANIZED ELBOW	7	BLK
GALELB2X90X12	2X90X12 LG RADIUS GALVANIZED ELBOW	9	BLK
GALELB1-1/4X90X15	1-1/4X90X15 LG RADIUS GALVANIZED ELBOW	7	BLK
GALELB1-1/2X90X15	1-1/2X90X15 LG RADIUS GALVANIZED ELBOW	8	BLK
GALELB2X90X15	2X90X15 LG RADIUS GALVANIZED ELBOW	11	BLK
GALELB1X90X18	1X90X18 LG RADIUS GALVANIZED ELBOW	6	BLK
GALELB1-1/4X90X18	1-1/4X90X18 LG RADIUS GALVANIZED ELBOW	8	BLK
GALELB1-1/2X90X18	1-1/2X90X18 LG RADIUS GALVANIZED ELBOW	10	BLK
GALELB2X90X18	2X90X18 LG RADIUS GALVANIZED ELBOW	13	BLK
GALELB2-1/2X90X18	2-1/2X90X18LG RADIUS GALVANIZED ELBOW	21	BLK
GALELB3X90X18	3X90X18 LG RADIUS GALVANIZED ELBOW	25	BLK
GALELB3-1/2X90X18	3-1/2X90X18 LG RADIUS GALVANIZED ELBOW	34	BLK
GALELB4X90X18	4X90X18 LG RADIUS GALVANIZED ELBOW	38	BLK
GALELB1X90X24	1X90X24 LG RADIUS GALVANIZED ELBOW	8	BLK
GALELB1-1/4X90X24	1-1/4X90X24 LG RADIUS GALVANIZED ELBOW	11	BLK
GALELB1-1/2X90X24	1 X90X24 LG RADIUS GALVANIZED ELBOW	13	BLK
GALELB2X90X24	2X90X24 LG RADIUS GALVANIZED ELBOW	17	BLK
GALELB2-1/2X90X24	2-1/2X90X24 LG RADIUS GALVANIZED ELBOW	27	BLK
GALELB3X90X24	3X90X24 LG RADIUS GALVANIZED ELBOW	35	BLK
GALELB4X90X24	4X90X24 LG RADIUS GALVANIZED ELBOW	45	BLK
GALELB1X90X30	1X90X30 LG RADIUS GALVANIZED ELBOW	9	BLK
GALELB1-1/4X90X30	1-1/4X90X30 LG RADIUS GALVANIZED ELBOW	13	BLK
GALELB1-1/2X90X30	1-1/2X90X30 LG RADIUS GALVANIZED ELBOW	15	BLK
GALELB2X90X30	2X90X30 LG RADIUS GALVANIZED ELBOW	20	BLK
GALELB2-1/2X90X30	2-1/2X90X30 LG RADIUS GALVANIZED ELBOW	32	BLK
GALELB3X90X30	3X90X30 LG RADIUS GALVANIZED ELBOW	42	BLK
GALELB4X90X30	4X90X30 LG RADIUS GALVANIZED ELBOW	55	BLK
GALELB5X90X30	5X90X30 LG RADIUS GALVANIZED ELBOW	77	BLK
GALELB1X90X36	1X90X36 LG RADIUS GALVANIZED ELBOW	11	BLK
GALELB1-1/4X90X36	1-1/4X90X36 LG RADIUS GALVANIZED ELBOW	15	BLK
GALELB1-1/2X90X36	1-1/2X90X36 LG RADIUS GALVANIZED ELBOW	18	BLK
GALELB2X90X36	2X90X36 LG RADIUS GALVANIZED ELBOW	24	BLK
GALELB2-1/2X90X36	2-1/2X90X36 LG RADIUS GALVANIZED ELBOW	38	BLK
GALELB3X90X36	3X90X36 LG RADIUS GALVANIZED ELBOW	49	BLK
GALELB3-1/2X90X36	3-1/2X90X36 LG RADIUS GALVANIZED ELBOW	58	BLK
GALELB4X90X36	4X90X36 LG RADIUS GALVANIZED ELBOW	65	BLK
GALELB5X90X36	5X90X36 LG RADIUS GALVANIZED ELBOW	91	BLK
GALELB6X90X36	6X90X36 LG RADIUS GALVANIZED ELBOW	123	BLK

**Galvanized Special Radius Elbows (Factory Mandrel Tested)**

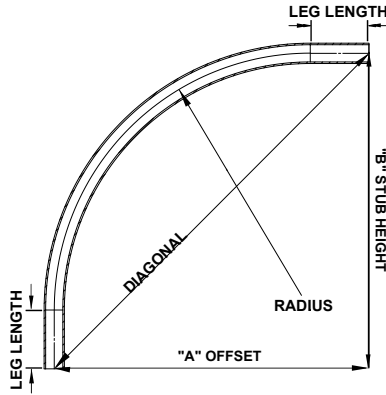
Catalog Number	Description	App Weight (lbs)	Standard Carton
GALELB4X90X42	4X90X42 LG RADIUS GALVANIZED ELBOW	70	BLK
GALELB5X90X42	5X90X42 LG RADIUS GALVANIZED ELBOW	98	BLK
GALELB1X90X48	1X90X48 LG RADIUS GALVANIZED ELBOW	14	BLK
GALELB1-1/4X90X48	1-1/4X90X48 LG RADIUS GALVANIZED ELBOW	18	BLK
GALELB1-1/2X90X48	1-1/2X90X48 LG RADIUS GALVANIZED ELBOW	22	BLK
GALELB2X90X48	2X90X48 LG RADIUS GALVANIZED ELBOW	29	BLK
GALELB2-1/2X90X48	2-1/2X90X48 LG RADIUS GALVANIZED ELBOW	46	BLK
GALELB3X90X48	3X90X48 LG RADIUS GALVANIZED ELBOW	61	BLK
GALELB3-1/2X90X48	3-1/2X90X48 LG RADIUS GALVANIZED ELBOW	72	BLK
GALELB4X90X48	4X90X48 LG RADIUS GALVANIZED ELBOW	80	BLK
GALELB5X90X48	5X90X48 LG RADIUS GALVANIZED ELBOW	112	BLK
GALELB6X90X48	6X90X48 LG RADIUS GALVANIZED ELBOW	152	BLK
GALELB4X90X60	4X90X60 LG RADIUS GALVANIZED ELBOW	96	BLK
GALELB5X90X60	5X90X60 LG RADIUS GALVANIZED ELBOW	132	BLK
GALELB6X90X60	6X90X60 LG RADIUS GALVANIZED ELBOW	175	BLK

Weights shown are approximate for 90° elbows. To arrive at weights for 60° elbows deduct 10%, for 45° elbows deduct 15% and 30° elbows deduct 20%. Galvanized special radius elbows are available in 45°, 60° and 30°. **All special radius elbows are noncancelable and nonreturnable.**



### Galvanized Special Radius Elbows • 45 Degrees

Size	Radius	12	15	18	24	30	36	42	48	60
1	LEG LENGTH	9	9	10	11	11	11	12	11-15/16	
	UNBENT LENGTH	27-7/16	29-3/4	34-1/8	40-7/8	45-9/16	50-1/4	56-15/16	61-5/8	
	DIAGONAL	25-13/16	28-1/16	32-1/4	38-3/4	43-5/16	47-7/8	54-1/4	58-7/8	
	"A" OFFSET	9-7/8	10-3/4	12-5/16	14-13/16	16-9/16	18-5/16	20-3/4	22-1/2	
	"B" STUB HEIGHT	23-7/8	25-15/16	29-13/16	35-3/4	40	44-3/16	50-1/8	54-3/8	
1¼	LEG LENGTH	9	9	10	11	11	11	12	11-15/16	
	UNBENT LENGTH	27-7/16	29-3/4	34-1/8	40-7/8	45-9/16	50-1/4	56-15/16	61-5/8	
	DIAGONAL	25-13/16	28-1/16	32-1/4	38-3/4	43-5/16	47-7/8	54-1/4	58-7/8	
	"A" OFFSET	9-7/8	10-3/4	12-5/16	14-13/16	16-9/16	18-5/16	20-3/4	22-1/2	
	"B" STUB HEIGHT	23-7/8	25-15/16	29-13/16	35-3/4	40	44-3/16	50-1/8	54-3/8	
1½	LEG LENGTH	9	9	10	11	11	11	12	11-15/16	
	UNBENT LENGTH	27-7/16	29-3/4	34-1/8	40-7/8	45-9/16	50-1/4	56-15/16	61-5/8	
	DIAGONAL	25-13/16	28-1/16	32-1/4	38-3/4	43-5/16	47-7/8	54-1/4	58-7/8	
	"A" OFFSET	9-7/8	10-3/4	12-5/16	14-13/16	16-9/16	18-5/16	20-3/4	22-1/2	
	"B" STUB HEIGHT	23-7/8	25-15/16	29-13/16	35-3/4	40	44-3/16	50-1/8	54-3/8	
2	LEG LENGTH	9	9	10	11	11	11	12	11-15/16	
	UNBENT LENGTH	27-7/16	29-3/4	34-1/8	40-7/8	45-9/16	50-1/4	56-15/16	61-5/8	
	DIAGONAL	25-13/16	28-1/16	32-1/4	38-3/4	43-5/16	47-7/8	54-1/4	58-7/8	
	"A" OFFSET	9-7/8	10-3/4	12-5/16	14-13/16	16-9/16	18-5/16	20-3/4	22-1/2	
	"B" STUB HEIGHT	23-7/8	25-15/16	29-13/16	35-3/4	40	44-3/16	50-1/8	54-3/8	
2½	LEG LENGTH	9	9	10	11	11	11	12	11-15/16	
	UNBENT LENGTH	27-7/16	29-3/4	34-1/8	40-7/8	45-9/16	50-1/4	56-15/16	61-5/8	
	DIAGONAL	25-13/16	28-1/16	32-1/4	38-3/4	43-5/16	47-7/8	54-1/4	58-7/8	
	"A" OFFSET	9-7/8	10-3/4	12-5/16	14-13/16	16-9/16	18-5/16	20-3/4	22-1/2	
	"B" STUB HEIGHT	23-7/8	25-15/16	29-13/16	35-3/4	40	44-3/16	50-1/8	54-3/8	
3	LEG LENGTH		9	10	11	11	11	12	11-15/16	
	UNBENT LENGTH		29-3/4	34-1/8	40-7/8	45-9/16	50-1/4	56-15/16	61-5/8	
	DIAGONAL		28-1/16	32-1/4	38-3/4	43-5/16	47-7/8	54-1/4	58-7/8	
	"A" OFFSET		10-3/4	12-5/16	14-13/16	16-9/16	18-5/16	20-3/4	22-1/2	
	"B" STUB HEIGHT		25-15/16	29-13/16	35-3/4	40	44-3/16	50-1/8	54-3/8	
3½	LEG LENGTH			10	11	11	11	12	11-15/16	
	UNBENT LENGTH			34-1/8	40-7/8	45-9/16	50-1/4	56-15/16	61-5/8	
	DIAGONAL			32-1/4	38-3/4	43-5/16	47-7/8	54-1/4	58-7/8	
	"A" OFFSET			12-5/16	14-13/16	16-9/16	18-5/16	20-3/4	22-1/2	
	"B" STUB HEIGHT			29-13/16	35-3/4	40	44-3/16	50-1/8	54-3/8	
4	LEG LENGTH			10	11	11	11	12	11-15/16	
	UNBENT LENGTH			34-1/8	40-7/8	45-9/16	50-1/4	56-15/16	61-5/8	
	DIAGONAL			32-1/4	38-3/4	43-5/16	47-7/8	54-1/4	58-7/8	
	"A" OFFSET			12-5/16	14-13/16	16-9/16	18-5/16	20-3/4	22-1/2	
	"B" STUB HEIGHT			29-13/16	35-3/4	40	44-3/16	50-1/8	54-3/8	
5	LEG LENGTH				11	11	11	12	11-15/16	12
	UNBENT LENGTH				45-9/16	50-1/4	56-15/16	61-5/8	61-5/8	71-1/8
	DIAGONAL				43-5/16	47-7/8	54-1/4	58-7/8	58-7/8	68-1/8
	"A" OFFSET				16-9/16	18-5/16	20-3/4	22-1/2	22-1/2	26-1/16
	"B" STUB HEIGHT				40	44-3/16	50-1/8	54-3/8	54-3/8	62-15/16
6	LEG LENGTH					11	11	12	11-15/16	12
	UNBENT LENGTH					50-1/4	56-15/16	61-5/8	61-5/8	71-1/8
	DIAGONAL					47-7/8	54-1/4	58-7/8	58-7/8	68-1/8
	"A" OFFSET					18-5/16	20-3/4	22-1/2	22-1/2	26-1/16
	"B" STUB HEIGHT					44-3/16	50-1/8	54-3/8	54-3/8	62-15/16



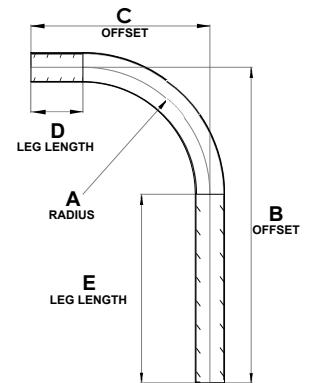
### Galvanized Special Radius Elbows • 90 Degrees

Size	Radius	12	15	18	24	30	36	42	48	60
1	LEG LENGTH	8-9/16	9-1/4	9-7/8	10-5/8	10-15/16	10-3/4	12	13-5/16	
	UNBENT LENGTH	36	42	48	59	69	78	90	102	
	DIAGONAL	29-1/8	34-1/4	39-7/16	49	57-7/8	66-1/16	76-3/8	86-11/16	
	"A" OFFSET	20-9/16	24-1/4	27-7/8	34-5/8	40-15/16	46-3/4	54	61-5/16	
	"B" STUB HEIGHT	20-9/16	24-1/4	27-7/8	34-5/8	40-15/16	46-3/4	54	61-5/16	
1-1/4	LEG LENGTH	8-9/16	9-1/4	9-7/8	10-5/8	10-15/16	10-3/4	12	13-5/16	
	UNBENT LENGTH	36	42	48	59	69	78	90	102	
	DIAGONAL	29-1/8	34-1/4	39-7/16	49	57-7/8	66-1/16	76-3/8	86-11/16	
	"A" OFFSET	20-9/16	24-1/4	27-7/8	34-5/8	40-15/16	46-3/4	54	61-5/16	
	"B" STUB HEIGHT	20-9/16	24-1/4	27-7/8	34-5/8	40-15/16	46-3/4	54	61-5/16	
1-1/2	LEG LENGTH	8-9/16	9-1/4	9-7/8	10-5/8	10-15/16	10-3/4	12	13-5/16	
	UNBENT LENGTH	36	42	48	59	69	78	90	102	
	DIAGONAL	29-1/8	34-1/4	39-7/16	49	57-7/8	66-1/16	76-3/8	86-11/16	
	"A" OFFSET	20-9/16	24-1/4	27-7/8	34-5/8	40-15/16	46-3/4	54	61-5/16	
	"B" STUB HEIGHT	20-9/16	24-1/4	27-7/8	34-5/8	40-15/16	46-3/4	54	61-5/16	
2	LEG LENGTH	8-9/16	9-1/4	9-7/8	10-5/8	10-15/16	10-3/4	12	13-5/16	
	UNBENT LENGTH	36	42	48	59	69	78	90	102	
	DIAGONAL	29-1/8	34-1/4	39-7/16	49	57-7/8	66-1/16	76-3/8	86-11/16	
	"A" OFFSET	20-9/16	24-1/4	27-7/8	34-5/8	40-15/16	46-3/4	54	61-5/16	
	"B" STUB HEIGHT	20-9/16	24-1/4	27-7/8	34-5/8	40-15/16	46-3/4	54	61-5/16	
2-1/2	LEG LENGTH	8-9/16	9-1/4	9-7/8	10-5/8	10-15/16	10-3/4	12	13-5/16	
	UNBENT LENGTH	36	42	48	59	69	78	90	102	
	DIAGONAL	29-1/8	34-1/4	39-7/16	49	57-7/8	66-1/16	76-3/8	86-11/16	
	"A" OFFSET	20-9/16	24-1/4	27-7/8	34-5/8	40-15/16	46-3/4	54	61-5/16	
	"B" STUB HEIGHT	20-9/16	24-1/4	27-7/8	34-5/8	40-15/16	46-3/4	54	61-5/16	
3	LEG LENGTH		9-1/4	9-7/8	10-5/8	10-15/16	10-3/4	12	13-5/16	
	UNBENT LENGTH		42	48	59	69	78	90	102	
	DIAGONAL		34-1/4	39-7/16	49	57-7/8	66-1/16	76-3/8	86-11/16	
	"A" OFFSET		24-1/4	27-7/8	34-5/8	40-15/16	46-3/4	54	61-5/16	
	"B" STUB HEIGHT		24-1/4	27-7/8	34-5/8	40-15/16	46-3/4	54	61-5/16	
3-1/2	LEG LENGTH			9-7/8	10-5/8	10-15/16	10-3/4	12	13-5/16	
	UNBENT LENGTH			48	59	69	78	90	102	
	DIAGONAL			39-7/16	49	57-7/8	66-1/16	76-3/8	86-11/16	
	"A" OFFSET			27-7/8	34-5/8	40-15/16	46-3/4	54	61-5/16	
	"B" STUB HEIGHT			27-7/8	34-5/8	40-15/16	46-3/4	54	61-5/16	
4	LEG LENGTH			9-7/8	10-5/8	10-15/16	10-3/4	12	13-5/16	
	UNBENT LENGTH			48	59	69	78	90	102	
	DIAGONAL			39-7/16	49	57-7/8	66-1/16	76-3/8	86-11/16	
	"A" OFFSET			27-7/8	34-5/8	40-15/16	46-3/4	54	61-5/16	
	"B" STUB HEIGHT			27-7/8	34-5/8	40-15/16	46-3/4	54	61-5/16	
5	LEG LENGTH					10-15/16	10-3/4	12	13-5/16	11-7/8
	UNBENT LENGTH					69	78	90	102	118
	DIAGONAL					57-7/8	66-1/16	76-3/8	86-11/16	101-1/2
	"A" OFFSET					40-15/16	46-3/4	54	61-5/16	71-7/8
	"B" STUB HEIGHT					40-15/16	46-3/4	54	61-5/16	71-7/8
6	LEG LENGTH						10-3/4	12	13-5/16	11-7/8
	UNBENT LENGTH						78	90	102	118
	DIAGONAL						66-1/16	76-3/8	86-11/16	101-1/2
	"A" OFFSET						46-3/4	54	61-5/16	71-7/8
	"B" STUB HEIGHT						46-3/4	54	61-5/16	71-7/8

### Galvanized Yard Light Elbows

Catalog Number	Description	Weight Per 100 Pieces (lbs)	Standard Carton
GALELB-YD-1/2X90	1/2" HOT DIP GALVANIZED YARD LIGHT ELBOWS	145	25
GALELB-YD-3/4X90	3/4" HOT DIP GALVANIZED YARD LIGHT ELBOWS	197	25
GALELB-YD-1X90	1" HOT DIP GALVANIZED YARD LIGHT ELBOWS	316	25
GALELB-YD-1-1/4X90	1-1/4" HOT DIP GALVANIZED YARD LIGHT ELBOWS	495	10
GALELB-YD-1-1/2X90	1-1/2" HOT DIP GALVANIZED YARD LIGHT ELBOWS	615	BLK
GALELB-YD-2X90	2" HOT DIP GALVANIZED YARD LIGHT ELBOWS	975	BLK
GALELB-YD-2-1/2X90	2-1/2" HOT DIP GALVANIZED YARD LIGHT ELBOWS	1590	BLK
GALELB-YD-3X90	3" HOT DIP GALVANIZED YARD LIGHT ELBOWS	2380	BLK
GALELB-YD-3-1/2X90	3-1/2" HOT DIP GALVANIZED YARD LIGHT ELBOWS	3250	BLK
GALELB-YD-4X90	4" HOT DIP GALVANIZED YARD LIGHT ELBOWS	4030	BLK

Nominal Size	A	B	C	D	E
1/2"	4"	18"	6-3/16"	2-3/16"	14"
3/4"	4-1/2"	18"	6-3/4"	2-1/4"	13-1/2"
1"	5-3/4"	18"	8-5/8"	2-7/8"	12-1/4"
1-1/4"	7-1/4"	19-1/4"	10-1/4"	3-1/4"	12-1/4"
1-1/2"	8-1/4"	20-1/2"	11-5/8"	3-3/8"	12-1/4"
2"	9-1/2"	21-1/2"	14-1/2"	5"	12"
2-1/2"	10-1/2"	22-1/2"	16"	5-1/2"	12"
3"	13"	25"	19-1/4"	6-1/4"	12"
3-1/2"	15"	27"	22-3/4"	7-3/4"	12"
4"	16"	28"	24"	8"	12"



### Meter Risers

Catalog Number	Description
GALRISERST-TBE-2	2"X7' GALVANIZED RIGID, THREADED BOTH ENDS
GALRISERST-TOE-2	2"X7' GALVANIZED RIGID, THREADED ONE END
GALRISER45-TBE-2	2"X7' 45 DEGREE, GALVANIZED RIGID, THREADED BOTH ENDS
GALRISER45-TOE-2	2"X7' 45 DEGREE, GALVANIZED RIGID, THREADED ONE END
GALRISERMI-2	2"X7' OFFSET, GALVANIZED RIGID, THREADED BOTH ENDS

Yard light elbows and Meter risers are noncancelable and nonreturnable.



**Galvanized Conduit Nipples**

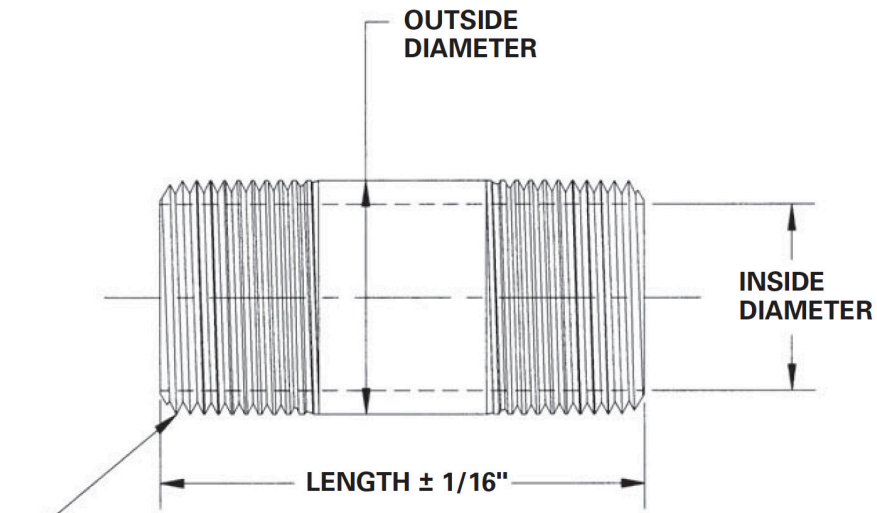
Catalog Number	Description	Weight Per 100 Pieces (lbs)	Standard Carton
GALNIP1/2XCL	1/2X1-1/8 CLOSE GALVANIZED NIPPLE	6	25
GALNIP3/4XCL	3/4X1-3/8 CLOSE GALVANIZED NIPPLE	9	25
GALNIP1XCL	1X1-1/2 CLOSE GALVANIZED NIPPLE	16	25
GALNIP1-1/4XCL	1-1/4X1-5/8 CLOSE GALVANIZED NIPPLE	22	25
GALNIP1-1/2XCL	1-1/2X1-3/4 CLOSE GALVANIZED NIPPLE	28	25
GALNIP2XCL	2X2 CLOSE GALVANIZED NIPPLE	44	25
GALNIP2-1/2XCL	2-1/2X2-1/2 CLOSE GALVANIZED NIPPLE	84	10
GALNIP3XCL	3X2-5/8 CLOSE GALVANIZED NIPPLE	118	10
GALNIP3-1/2XCL	3-1/2X2-3/4 CLOSE GALVANIZED NIPPLE	160	10
GALNIP4XCL	4X2-7/8 CLOSE GALVANIZED NIPPLE	180	10
GALNIP5XCL	5X3 CLOSE GALVANIZED NIPPLE	240	BLK
GALNIP6XCL	6X3-1/8 CLOSE GALVANIZED NIPPLE	350	BLK
GALNIP1/2X1-1/2	1/2X1-1/2 GALVANIZED NIPPLE	8	25
GALNIP3/4X1-1/2	3/4X1-1/2 GALVANIZED NIPPLE	10	25
GALNIP1/2X2	1/2X2 GALVANIZED NIPPLE	12	25
GALNIP3/4X2	3/4X2 GALVANIZED NIPPLE	14	25
GALNIP1X2	1X2 GALVANIZED NIPPLE	22	25
GALNIP1-1/4X2	1-1/4X2 GALVANIZED NIPPLE	28	25
GALNIP1-1/2X2	1-1/2X2 GALVANIZED NIPPLE	34	25
GALNIP1/2X2-1/2	1/2X2-1/2 GALVANIZED NIPPLE	15	25
GALNIP3/4X2-1/2	3/4X2-1/2 GALVANIZED NIPPLE	19	25
GALNIP1X2-1/2	1X2-1/2 GALVANIZED NIPPLE	28	25
GALNIP1-1/4X2-1/2	1-1/4X2-1/2 GALVANIZED NIPPLE	37	25
GALNIP1-1/2X2-1/2	1-1/2X2-1/2 GALVANIZED NIPPLE	44	25
GALNIP2X2-1/2	2X2-1/2 GALVANIZED NIPPLE	59	25
GALNIP1/2X3	1/2X3 GALVANIZED NIPPLE	19	25
GALNIP3/4X3	3/4X3 GALVANIZED NIPPLE	24	25
GALNIP1X3	1X3 GALVANIZED NIPPLE	36	25
GALNIP1-1/4X3	1-1/4X3 GALVANIZED NIPPLE	47	25
GALNIP1-1/2X3	1-1/2X3 GALVANIZED NIPPLE	56	25
GALNIP2X3	2X3 GALVANIZED NIPPLE	72	25
GALNIP2-1/2X3	2-1/2X3 GALVANIZED NIPPLE	100	10
GALNIP3X3	3X3 GALVANIZED NIPPLE	130	10
GALNIP1/2X3-1/2	1/2X3 /12 GALVANIZED NIPPLE	22	25
GALNIP3/4X3-1/2	3/4X3-1/2 GALVANIZED NIPPLE	28	25
GALNIP1X3-1/2	1X3-1/2 GALVANIZED NIPPLE	43	25
GALNIP1-1/4X3-1/2	1-1/4X3-1/2 GALVANIZED NIPPLE	55	25
GALNIP1-1/2X3-1/2	1-1/2X3-1/2 GALVANIZED NIPPLE	68	25
GALNIP2X3-1/2	2X3-1/2 GALVANIZED NIPPLE	88	25
GALNIP2-1/2X3-1/2	2-1/2X3-1/2 GALVANIZED NIPPLE	120	10
GALNIP3X3-1/2	3X3-1/2 GALVANIZED NIPPLE	157	10

**Galvanized Conduit Nipples**

Catalog Number	Description	Weight Per 100 Pieces (lbs)	Standard Carton
GALNIP1/2X4	1/2X4 GALVANIZED NIPPLE	26	25
GALNIP3/4X4	3/4X4 GALVANIZED NIPPLE	34	25
GALNIP1X4	1X4 GALVANIZED NIPPLE	49	25
GALNIP1-1/4X4	1-1/4X4 GALVANIZED NIPPLE	66	25
GALNIP1-1/2X4	1-1/2X4 GALVANIZED NIPPLE	80	25
GALNIP2X4	2X4 GALVANIZED NIPPLE	103	25
GALNIP2-1/2X4	2-1/2X4 GALVANIZED NIPPLE	150	10
GALNIP3X4	3X4 GALVANIZED NIPPLE	200	10
GALNIP3-1/2X4	3-1/2X4 GALVANIZED NIPPLE	240	5
GALNIP4X4	4X4 GALVANIZED NIPPLE	285	6
GALNIP1/2X5	1/2X5 GALVANIZED NIPPLE	33	25
GALNIP3/4X5	3/4X5 GALVANIZED NIPPLE	43	25
GALNIP1X5	1X5 GALVANIZED NIPPLE	64	25
GALNIP1-1/4X5	1-1/4X5 GALVANIZED NIPPLE	84	25
GALNIP1-1/2X5	1-1/2X5 GALVANIZED NIPPLE	103	25
GALNIP2X5	2X5 GALVANIZED NIPPLE	132	25
GALNIP2-1/2X5	2-1/2X5 GALVANIZED NIPPLE	197	10
GALNIP3X5	3X5 GALVANIZED NIPPLE	260	10
GALNIP3-1/2X5	3-1/2X5 GALVANIZED NIPPLE	320	5
GALNIP4X5	4X5 GALVANIZED NIPPLE	380	6
GALNIP5X5	5X5 GALVANIZED NIPPLE	480	BLK
GALNIP6X5	6X5 GALVANIZED NIPPLE	660	BLK
GALNIP1/2X6	1/2X6 GALVANIZED NIPPLE	40	25
GALNIP3/4X6	3/4X6 GALVANIZED NIPPLE	52	25
GALNIP1X6	1X6 GALVANIZED NIPPLE	78	25
GALNIP1-1/4X6	1-1/4X6 GALVANIZED NIPPLE	100	25
GALNIP1-1/2X6	1-1/2X6 GALVANIZED NIPPLE	122	25
GALNIP2X6	2X6 GALVANIZED NIPPLE	160	25
GALNIP2-1/2X6	2-1/2X6 GALVANIZED NIPPLE	240	10
GALNIP3X6	3X6 GALVANIZED NIPPLE	300	10
GALNIP3-1/2X6	3-1/2X6 GALVANIZED NIPPLE	373	5
GALNIP4X6	4X6 GALVANIZED NIPPLE	440	5
GALNIP5X6	5X6 GALVANIZED NIPPLE	600	BLK
GALNIP6X6	6X6 GALVANIZED NIPPLE	820	BLK
GALNIP1/2X8	1/2X8 GALVANIZED NIPPLE	54	25
GALNIP3/4X8	3/4X8 GALVANIZED NIPPLE	73	25
GALNIP1X8	1X8 GALVANIZED NIPPLE	109	25
GALNIP1-1/4X8	1-1/4X8 GALVANIZED NIPPLE	136	10
GALNIP1-1/2X8	1-1/2X8 GALVANIZED NIPPLE	170	10
GALNIP2X8	2X8 GALVANIZED NIPPLE	220	10
GALNIP2-1/2X8	2-1/2X8 GALVANIZED NIPPLE	329	5
GALNIP3X8	3X8 GALVANIZED NIPPLE	411	5
GALNIP3-1/2X8	3-1/2X8 GALVANIZED NIPPLE	510	5
GALNIP4X8	4X8 GALVANIZED NIPPLE	600	3
GALNIP5X8	5X8 GALVANIZED NIPPLE	825	BLK
GALNIP6X8	6X8 GALVANIZED NIPPLE	1125	BLK

**Galvanized Conduit Nipples**

Catalog Number	Description	Weight Per 100 Pieces (lbs)	Standard Carton
GALNIP1/2X10	1/2X10 GALVANIZED NIPPLE	68	25
GALNIP3/4X10	3/4X10 GALVANIZED NIPPLE	89	25
GALNIP1X10	1X10 GALVANIZED NIPPLE	138	25
GALNIP1-1/4X10	1-1/4X10 GALVANIZED NIPPLE	176	10
GALNIP1-1/2X10	1-1/2X10 GALVANIZED NIPPLE	216	10
GALNIP2X10	2X10 GALVANIZED NIPPLE	285	10
GALNIP2-1/2X10	2-1/2X10 GALVANIZED NIPPLE	422	5
GALNIP3X10	3X10 GALVANIZED NIPPLE	528	5
GALNIP3-1/2X10	3-1/2X10 GALVANIZED NIPPLE	655	4
GALNIP4X10	4X10 GALVANIZED NIPPLE	775	4
GALNIP5X10	5X10 GALVANIZED NIPPLE	1055	BLK
GALNIP6X10	6X10 GALVANIZED NIPPLE	1440	BLK
GALNIP1/2X12	1/2X12 GALVANIZED NIPPLE	82	25
GALNIP3/4X12	3/4X12 GALVANIZED NIPPLE	109	25
GALNIP1X12	1X12 GALVANIZED NIPPLE	166	25
GALNIP1-1/4X12	1-1/4X12 GALVANIZED NIPPLE	216	10
GALNIP1-1/2X12	1-1/2X12 GALVANIZED NIPPLE	260	10
GALNIP2X12	2X12 GALVANIZED NIPPLE	335	10
GALNIP2-1/2X12	2-1/2X12 GALVANIZED NIPPLE	505	5
GALNIP3X12	3X12 GALVANIZED NIPPLE	630	5
GALNIP3-1/2X12	3-1/2X12 GALVANIZED NIPPLE	785	4
GALNIP4X12	4X12 GALVANIZED NIPPLE	925	4
GALNIP5X12	5X12 GALVANIZED NIPPLE	1260	BLK
GALNIP6X12	6X12 GALVANIZED NIPPLE	1720	BLK



**STANDARD NPT TAPERED PIPE THREADS  
AS PER ANSI/ASME B1.20.1 SPECIFICATION.**

**Material**  
Rigid Steel Conduit (UL6)  
Aluminum Conduit (UL6A)

**Applicable Specification**  
Underwriters Laboratories  
• UL 6 for Rigid  
• UL 6A for Aluminum

**Rigid Conduit Nipples • Type - Rigid Steel and Aluminum**

Pipe Size (in.)	Pipe O.D. (in.)	Length Close (in.)	Pipe Nipple Lengths															
1/2	0.84	1-1/8	1-1/2	2	2-1/2	3	3-1/2	4	4-1/2	5	5-1/2	6	7	8	9	10	11	12
3/4	1.05	1-3/8	1-1/2	2	2-1/2	3	3-1/2	4	4-1/2	5	5-1/2	6	7	8	9	10	11	12
1	1.315	1-1/2	2	2-1/2	3	3-1/2	4	4-1/2	5	5-1/2	6	7	8	9	10	11	12	
1-1/4	1.66	1-5/8	2	2-1/2	3	3-1/2	4	4-1/2	5	5-1/2	6	7	8	9	10	11	12	
1-1/2	1.9	1-3/4	2	2-1/2	3	3-1/2	4	4-1/2	5	5-1/2	6	7	8	9	10	11	12	
2	2.375	2	2-1/2	3	3-1/2	4	4-1/2	5	5-1/2	6	7	8	9	10	11	12		
2-1/2	2.875	2-1/2	3	3-1/2	4	4-1/2	5	5-1/2	6	7	8	9	10	11	12			
3	3.5	2-5/8	3	3-1/2	4	4-1/2	5	5-1/2	6	7	8	9	10	11	12			
3-1/2	4	2-3/4	4	4-1/2	5	5-1/2	6	7	8	9	10	11	12					
4	4.5	2-7/8	4	4-1/2	5	5-1/2	6	7	8	9	10	11	12					
5	5.563	3	4-1/2	5	5-1/2	6	7	8	9	10	11	12						
6	6.625	3-1/8	4-1/2	5	5-1/2	6	7	8	9	10	11	12						

### EMT Standard Radius Elbows

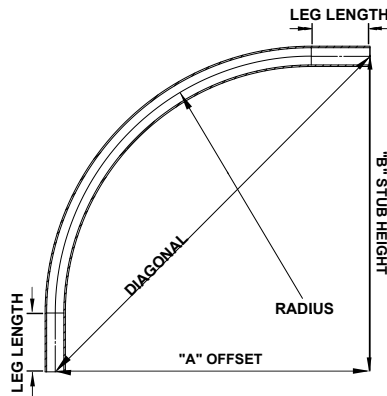
Catalog Number	Description	Weight Per 100 Pieces (lbs)	Standard Carton
EMTELB1/2X90	1/2X90 EMT ELBOW	28	50
EMTELB3/4X90	3/4X90 EMT ELBOW	46	50
EMTELB1X90	1X 90 EMT ELBOW	86	25
EMTELB1-1/4X90	1-1/4X90 EMT ELBOW	148	25
EMTELB1-1/2X90	1-1/2X90 EMT ELBOW	198	15
EMTELB2X90	2X90 EMT ELBOW	286	10
EMTELB2-1/2X90	2-1/2X90 EMT ELBOW	536	BLK
EMTELB3X90	3X90 EMT ELBOW	720	BLK
EMTELB3-1/2X90	3-1/2X90 EMT ELBOW	1080	BLK
EMTELB4X90	4X90 EMT ELBOW	1333	BLK
EMTELB1/2X45	1/2X45 EMT ELBOW	24	50
EMTELB3/4X45	3/4X45 EMT ELBOW	39	50
EMTELB1X45	1X 45 EMT ELBOW	73	25
EMTELB1-1/4X45	1-1/4X45 EMT ELBOW	126	25
EMTELB1-1/2X45	1-1/2X45 EMT ELBOW	168	15
EMTELB2X45	2X45 EMT ELBOW	243	10
EMTELB2-1/2X45	2-1/2X45 EMT ELBOW	456	BLK
EMTELB3X45	3X45 EMT ELBOW	612	BLK
EMTELB3-1/2X45	3-1/2X45 EMT ELBOW	918	BLK
EMTELB4X45	4X45 EMT ELBOW	1133	BLK

Weights shown are approximate for 90° elbows. To arrive at weights for 45° elbows deduct 15%. Sizes 2-1/2" and larger shipped in palletized cartons or bulk, with ECN-Korns identifying label.

### EMT Special Radius Elbows

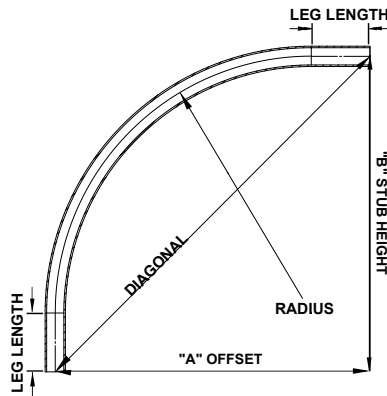
Catalog Number	Description	App Weight (lbs)	Standard Carton
EMTELB4X90X24	4X90X24 EMT ELBOW	17	BLK
EMTELB4X45X24	4X45X24 EMT ELBOW	14	BLK
EMTELB4X60X24	4X60X24 EMT ELBOW	15	BLK
EMTELB4X30X24	4X30X24 EMT ELBOW	14	BLK
EMTELB2X90X36	2X90X36 EMT ELBOW	9	BLK
EMTELB3X90X36	3X90X36 EMT ELBOW	16	BLK
EMTELB4X90X36	4X90X36 EMT ELBOW	24	BLK
EMTELB2X45X36	2X45X36 EMT ELBOW	8	BLK
EMTELB3X45X36	3X45X36 EMT ELBOW	14	BLK
EMTELB4X45X36	4X45X36 EMT ELBOW	20	BLK
EMTELB2X60X36	2X60X36 EMT ELBOW	8	BLK
EMTELB3X60X36	3X60X36 EMT ELBOW	14	BLK
EMTELB4X60X36	4X60X36 EMT ELBOW	22	BLK
EMTELB2X30X36	2X30X36 EMT ELBOW	7	BLK
EMTELB3X30X36	3X30X36 EMT ELBOW	13	BLK
EMTELB4X30X36	4X30X36 EMT ELBOW	19	BLK
EMTELB4X90X48	4X90X48 EMT ELBOW	31	BLK
EMTELB4X45X48	4X45X48 EMT ELBOW	26	BLK
EMTELB4X60X48	4X60X48 EMT ELBOW	28	BLK
EMTELB4X30X48	4X30X48 EMT ELBOW	25	BLK

All E.M.T. special radius elbows are noncancelable and nonreturnable.



### Standard Radius Elbows • EMT

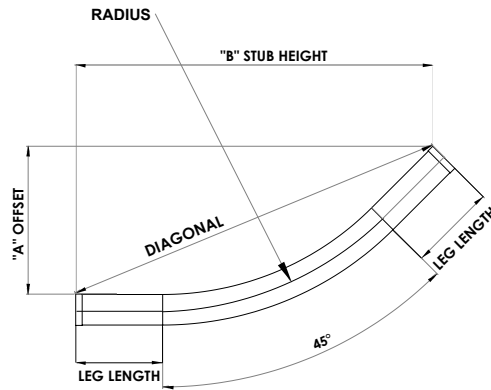
Radius (in.)		4	4-1/2	5-3/4	7-1/4	8-1/4	9-1/2	10-1/2	13	15	16
Degree	Size	1/2	3/4	1	1-1/4	1-1/2	2	2-1/2	3	3-1/2	4
11-1/4	LEG LENGTH	2	2	2	2-3/4	3	4-1/4	5-1/4	5-7/8	6-3/4	7
	UNBENT LENGTH	4-13/16	4-7/8	5-1/8	6-7/8	8-1/4	10-3/8	12-9/16	14-3/16	16-3/8	17
	DIAGONAL	4-3/4	4-7/8	5-1/8	6-7/8	8-1/4	10-3/8	12-1/2	14-1/4	16-1/4	16-15/16
	"A" OFFSET	1/2	1/2	1/2	11/16	3/4	1	1-1/4	1-3/8	1-1/2	1-3/4
	"B" STUB HEIGHT	4-3/4	4-13/16	5	6-7/8	8-3/16	10-1/2	12-1/2	14-1/16	16-1/4	17
15	LEG LENGTH	2	2	2	2-3/4	3-1/4	4-5/16	5-1/4	5-7/8	6-3/4	7
	UNBENT LENGTH	5-1/16	5-3/16	5-1/2	7-1/4	8-5/8	11-1/16	13-11/32	15 1/8	17-15/32	18-5/32
	DIAGONAL	5	5-1/8	5	7-1/4	8-5/8	11	13-1/4	15	17-5/16	18
	"A" OFFSET	5/8	11/16	11/16	1	1 1/8	1-1/2	1-3/4	2	2-1/4	2-3/8
	"B" STUB HEIGHT	5	5-1/8	5-3/8	7-1/8	8-1/2	10-7/8	13-1/8	15	17-1/4	17-7/8
22-1/2	LEG LENGTH	2	2-1/16	2	2-3/4	3	4-1/4	5-1/4	5-7/8	6-3/4	7
	UNBENT LENGTH	5-21/32	5-27/32	6-11/32	8-5/16	9-27/32	12-5/16	14-23/32	16-13/16	19-13/32	20-1/4
	DIAGONAL	6	5-3/4	6-1/4	8-1/4	9-3/4	12-1/8	14-1/2	16-1/2	19-1/8	19-15/16
	"A" OFFSET	1 1/8	1	1	1-5/8	2	2-3/8	2-3/4	3-1/4	3-1/2	4
	"B" STUB HEIGHT	5-7/16	5-5/8	6	8	9-1/2	11-7/8	14-1/4	16-1/4	18-1/2	19-9/16
30	LEG LENGTH	2	2	2	2-3/4	3-5/16	4-1/4	5-1/4	5-7/8	6-3/4	7
	UNBENT LENGTH	6-3/16	6-7/16	7-1/8	9-1/4	10-29/32	13-9/16	16-3/32	18-1/2	21-3/8	22-11/32
	DIAGONAL	6	6-1/4	7	9	10-5/8	13-1/4	15-5/8	18	20-13/16	21-3/4
	"A" OFFSET	1-1/2	1-5/8	1-3/4	2-3/8	2-3/4	3-1/2	4	4-11/16	5-3/8	5-3/4
	"B" STUB HEIGHT	5-7/8	6	7	8-3/4	10-1/4	12-3/4	15-1/8	17-7/16	20-1/8	21
45	LEG LENGTH	2-1/16	2	2	2-5/8	3-1/2	4-1/4	5-1/8	5-7/8	6-3/4	7-1/4
	UNBENT LENGTH	7-1/4	7-1/2	8-1/2	11	13	16	18-1/2	22	25-1/4	27
	DIAGONAL	6-7/8	7-1/8	8-1/8	10-1/2	12-5/16	15-1/8	17-1/2	20-7/8	24	25-5/8
	"A" OFFSET	2-1/2	2-3/4	3	4	4-3/4	5-3/4	6-3/4	8	9-1/4	9-13/16
	"B" STUB HEIGHT	6-1/2	6-5/8	7-1/2	9-1/2	11-3/8	14	16-3/16	19-1/4	22-1/8	23-5/8
60	LEG LENGTH	2	2	2	2-3/4	3	4-1/4	5-1/4	5-7/8	6-3/4	7
	UNBENT LENGTH	8-3/16	8-3/4	10	13	15-1/8	18-7/16	21-19/32	25-5/16	29-7/32	30-23/32
	DIAGONAL	7-1/2	8	9	12	13-7/8	16-7/8	19-5/8	23-1/4	26-3/4	28
	"A" OFFSET	3-3/4	4	4-1/2	6	7	8-7/16	9-13/16	11-5/8	13-3/8	14
	"B" STUB HEIGHT	6-7/16	6-15/16	8	10-3/8	12	14-5/8	17-1/16	20	23-1/8	24-5/16
90	LEG LENGTH	2	2	2	2-3/4	3-1/4	4-5/16	5-1/4	5-13/16	6-3/4	6-15/16
	UNBENT LENGTH	10-5/16	11-1/16	13	16-3/4	19-1/2	23-1/2	27	32	37	39
	DIAGONAL	8-1/2	9	11	14	16-5/16	19-1/2	22-1/4	26-5/8	30-3/4	32-7/16
	"A" OFFSET	6	6-1/2	7-3/4	10	11-1/2	13-13/16	15-3/4	18-13/16	21-3/4	22-15/16
	"B" STUB HEIGHT	6	6-1/2	7-3/4	10	11-1/2	13-13/16	15-3/4	18-13/16	21-3/4	22-15/16



### EMT Special Radius Elbows • 90 Degrees

Size	Radius	12	15	18	24	30	36	42	48	60
<b>1</b>	LEG LENGTH	8-9/16		9-7/8	10-5/8	10-15/16	10-3/4	12	12-5/16	
	UNBENT LENGTH	36		48	59	69	78	90	100	
	DIAGONAL	29-1/8		39-7/16	49	57-7/8	66-1/6	76-3/8	85-5/16	
	"A" OFFSET	20-9/16		27-7/8	34-5/8	40-15/16	46-3/4	54	60-5/16	
	"B" STUB HEIGHT	20-9/16		27-7/8	34-5/8	40-15/16	46-3/4	54	60-5/16	
<b>1-1/4</b>	LEG LENGTH	8-9/16	9-1/4	9-7/8	10-5/8	10-15/16	10-3/4	12	12-5/16	
	UNBENT LENGTH	36	42	48	59	69	78	90	100	
	DIAGONAL	29-1/8	34-1/4	39-7/16	49	57-7/8	66-1/6	76-3/8	85-5/16	
	"A" OFFSET	20-9/16	24-1/4	27-7/8	34-5/8	40-15/16	46-3/4	54	60-5/16	
	"B" STUB HEIGHT	20-9/16	24-1/4	27-7/8	34-5/8	40-15/16	46-3/4	54	60-5/16	
<b>1-1/2</b>	LEG LENGTH	8-9/16	9-1/4	9-7/8	10-5/8	10-15/16	10-3/4	12	12-5/16	
	UNBENT LENGTH	36	42	48	59	69	78	90	100	
	DIAGONAL	29-1/8	34-1/4	39-7/16	49	57-7/8	66-1/6	76-3/8	85-5/16	
	"A" OFFSET	20-9/16	24-1/4	27-7/8	34-5/8	40-15/16	46-3/4	54	60-5/16	
	"B" STUB HEIGHT	20-9/16	24-1/4	27-7/8	34-5/8	40-15/16	46-3/4	54	60-5/16	
<b>2</b>	LEG LENGTH	8-9/16	9-1/4	9-7/8	10-5/8	10-15/16	10-3/4	12	12-5/16	
	UNBENT LENGTH	36	42	48	59	69	78	90	100	
	DIAGONAL	29-1/8	34-1/4	39-7/16	49	57-7/8	66-1/6	76-3/8	85-5/16	
	"A" OFFSET	20-9/16	24-1/4	27-7/8	34-5/8	40-15/16	46-3/4	54	60-5/16	
	"B" STUB HEIGHT	20-9/16	24-1/4	27-7/8	34-5/8	40-15/16	46-3/4	54	60-5/16	
<b>2-1/2</b>	LEG LENGTH	8-9/16	9-1/4	9-7/8	10-5/8	10-15/16	10-3/4	12	12-5/16	
	UNBENT LENGTH	36	42	48	59	69	78	90	100	
	DIAGONAL	29-1/8	34-1/4	39-7/16	49	57-7/8	66-1/6	76-3/8	85-5/16	
	"A" OFFSET	20-9/16	24-1/4	27-7/8	34-5/8	40-15/16	46-3/4	54	60-5/16	
	"B" STUB HEIGHT	20-9/16	24-1/4	27-7/8	34-5/8	40-15/16	46-3/4	54	60-5/16	
<b>3</b>	LEG LENGTH		9-1/4	9-7/8	10-5/8	10-15/16	10-3/4	12	12-5/16	
	UNBENT LENGTH		42	48	59	69	78	90	100	
	DIAGONAL		34-1/4	39-7/16	49	57-7/8	66-1/6	76-3/8	85-5/16	
	"A" OFFSET		24-1/4	27-7/8	34-5/8	40-15/16	46-3/4	54	60-5/16	
	"B" STUB HEIGHT		24-1/4	27-7/8	34-5/8	40-15/16	46-3/4	54	60-5/16	
<b>3-1/2</b>	LEG LENGTH			9-7/8	10-5/8	10-15/16	10-3/4	12	12-5/16	
	UNBENT LENGTH			48	59	69	78	90	100	
	DIAGONAL			39-7/16	49	57-7/8	66-1/6	76-3/8	85-5/16	
	"A" OFFSET			27-7/8	34-5/8	40-15/16	46-3/4	54	60-5/16	
	"B" STUB HEIGHT			27-7/8	34-5/8	40-15/16	46-3/4	54	60-5/16	
<b>4</b>	LEG LENGTH			9-7/8	10-5/8	10-15/16	10-3/4	12	12-5/16	11-7/8
	UNBENT LENGTH			48	59	69	78	90	100	118
	DIAGONAL			39-7/16	49	57-7/8	66-1/6	76-3/8	85-5/16	101-11/16
	"A" OFFSET			27-7/8	34-5/8	40-15/16	46-3/4	54	60-5/16	71-7/8
	"B" STUB HEIGHT			27-7/8	34-5/8	40-15/16	46-3/4	54	60-5/16	71-7/8
<b>5</b>	LEG LENGTH					10-15/16	10-3/4	12	12-5/16	11-7/8
	UNBENT LENGTH					69	78	90	100	118
	DIAGONAL					57-7/8	66-1/6	76-3/8	85-5/16	101-11/16
	"A" OFFSET					40-15/16	46-3/4	54	60-5/16	71-7/8
	"B" STUB HEIGHT					40-15/16	46-3/4	54	60-5/16	71-7/8
<b>6</b>	LEG LENGTH						10-3/4	12	12-5/16	11-7/8
	UNBENT LENGTH						78	90	100	118
	DIAGONAL						66-1/6	76-3/8	85-5/16	101-11/16
	"A" OFFSET						46-3/4	54	60-5/16	71-7/8
	"B" STUB HEIGHT						46-3/4	54	60-5/16	71-7/8





### EMT Special Radius Elbows • 45 Degrees

Size	Radius	12	15	18	24	30	36	42	48	60
1	LEG LENGTH	9		10	11	11	11	12	12	
	UNBENT LENGTH	27-7/16		34-1/8	40-7/8	45-9/16	50-1/4	56-15/16	61-5/8	
	DIAGONAL	25-13/16		32-1/4	38-3/4	43-5/16	47-7/8	54-1/4	58-7/8	
	"A" OFFSET	9-7/8		12-5/16	14-13/16	16-9/16	18-5/16	20-3/4	22-1/2	
	"B" STUB HEIGHT	23-7/8		29-13/16	35-3/4	40	44-3/16	50-1/8	54-3/8	
1-1/4	LEG LENGTH	9	9	10	11	11	11	12	12	
	UNBENT LENGTH	27-7/16	29-3/4	34-1/8	40-7/8	45-9/16	50-1/4	56-15/16	61-5/8	
	DIAGONAL	25-13/16	28-1/16	32-1/4	38-3/4	43-5/16	47-7/8	54-1/4	58-7/8	
	"A" OFFSET	9-7/8	10-3/4	12-5/16	14-13/16	16-9/16	18-5/16	20-3/4	22-1/2	
	"B" STUB HEIGHT	23-7/8	25-15/16	29-13/16	35-3/4	40	44-3/16	50-1/8	54-3/8	
1-1/2	LEG LENGTH	9	9	10	11	11	11	12	12	
	UNBENT LENGTH	27-7/16	29-3/4	34-1/8	40-7/8	45-9/16	50-1/4	56-15/16	61-5/8	
	DIAGONAL	25-13/16	28-1/16	32-1/4	38-3/4	43-5/16	47-7/8	54-1/4	58-7/8	
	"A" OFFSET	9-7/8	10-3/4	12-5/16	14-13/16	16-9/16	18-5/16	20-3/4	22-1/2	
	"B" STUB HEIGHT	23-7/8	25-15/16	29-13/16	35-3/4	40	44-3/16	50-1/8	54-3/8	
2	LEG LENGTH	9	9	10	11	11	11	12	12	
	UNBENT LENGTH	27-7/16	29-3/4	34-1/8	40-7/8	45-9/16	50-1/4	56-15/16	61-5/8	
	DIAGONAL	25-13/16	28-1/16	32-1/4	38-3/4	43-5/16	47-7/8	54-1/4	58-7/8	
	"A" OFFSET	9-7/8	10-3/4	12-5/16	14-13/16	16-9/16	18-5/16	20-3/4	22-1/2	
	"B" STUB HEIGHT	23-7/8	25-15/16	29-13/16	35-3/4	40	44-3/16	50-1/8	54-3/8	
2-1/2	LEG LENGTH	9	9	10	11	11	11	12	12	
	UNBENT LENGTH	27-7/16	29-3/4	34-1/8	40-7/8	45-9/16	50-1/4	56-15/16	61-5/8	
	DIAGONAL	25-13/16	28-1/16	32-1/4	38-3/4	43-5/16	47-7/8	54-1/4	58-7/8	
	"A" OFFSET	9-7/8	10-3/4	12-5/16	14-13/16	16-9/16	18-5/16	20-3/4	22-1/2	
	"B" STUB HEIGHT	23-7/8	25-15/16	29-13/16	35-3/4	40	44-3/16	50-1/8	54-3/8	
3	LEG LENGTH		9	10	11	11	11	12	12	
	UNBENT LENGTH		29-3/4	34-1/8	40-7/8	45-9/16	50-1/4	56-15/16	61-5/8	
	DIAGONAL		28-1/16	32-1/4	38-3/4	43-5/16	47-7/8	54-1/4	58-7/8	
	"A" OFFSET		10-3/4	12-5/16	14-13/16	16-9/16	18-5/16	20-3/4	22-1/2	
	"B" STUB HEIGHT		25-15/16	29-13/16	35-3/4	40	44-3/16	50-1/8	54-3/8	
3-1/2	LEG LENGTH			10	11	11	11	12	12	
	UNBENT LENGTH			34-1/8	40-7/8	45-9/16	50-1/4	56-15/16	61-5/8	
	DIAGONAL			32-1/4	38-3/4	43-5/16	47-7/8	54-1/4	58-7/8	
	"A" OFFSET			12-5/16	14-13/16	16-9/16	18-5/16	20-3/4	22-1/2	
	"B" STUB HEIGHT			29-13/16	35-3/4	40	44-3/16	50-1/8	54-3/8	
4	LEG LENGTH			10	11	11	11	12	12	12
	UNBENT LENGTH			34-1/8	40-7/8	45-9/16	50-1/4	56-15/16	61-5/8	71-1/8
	DIAGONAL			32-1/4	38-3/4	43-5/16	47-7/8	54-1/4	58-7/8	68-1/8
	"A" OFFSET			12-5/16	14-13/16	16-9/16	18-5/16	20-3/4	22-1/2	26-1/16
	"B" STUB HEIGHT			29-13/16	35-3/4	40	44-3/16	50-1/8	54-3/8	62-15/16
5	LEG LENGTH				11	11	11	12	12	12
	UNBENT LENGTH				45-9/16	50-1/4	56-15/16	61-5/8	61-5/8	71-1/8
	DIAGONAL				43-5/16	47-7/8	54-1/4	58-7/8	68-1/8	68-1/8
	"A" OFFSET				16-9/16	18-5/16	20-3/4	22-1/2	26-1/16	26-1/16
	"B" STUB HEIGHT				40	44-3/16	50-1/8	54-3/8	62-15/16	62-15/16
6	LEG LENGTH						11	12	12	12
	UNBENT LENGTH						50-1/4	56-15/16	61-5/8	71-1/8
	DIAGONAL						47-7/8	54-1/4	58-7/8	68-1/8
	"A" OFFSET						18-5/16	20-3/4	22-1/2	26-1/16
	"B" STUB HEIGHT						44-3/16	50-1/8	54-3/8	62-15/16

### Aluminum Conduit Couplings

Catalog Number	Description	Weight Per 100 Pieces (lbs)	Standard Carton
ALUCPLG-1/2	1/2 ALUMINUM COUPLING	6	50
ALUCPLG-3/4	3/4 ALUMINUM COUPLING	9	50
ALUCPLG-1	1 ALUMINUM COUPLING	13	50
ALUCPLG-1-1/4	1-1/4 ALUMINUM COUPLING	19	50
ALUCPLG-1-1/2	1-1/2 ALUMINUM COUPLING	23	50
ALUCPLG-2	2 ALUMINUM COUPLING	35	20
ALUCPLG-2-1/2	2-1/2 ALUMINUM COUPLING	68	12
ALUCPLG-3	3 ALUMINUM COUPLING	91	12
ALUCPLG-3-1/2	3-1/2 ALUMINUM COUPLING	108	12
ALUCPLG-4	4 ALUMINUM COUPLING	142	12
ALUCPLG-5	5 ALUMINUM COUPLING	242	BLK
ALUCPLG-6	6 ALUMINUM COUPLING	320	BLK

### Aluminum Conduit Standard Radius Elbows

Catalog Number	Description	Weight Per 100 Pieces (lbs)	Standard Carton
ALUELB1/2X90	1/2X90 ALUMINUM ELBOW	26	10
ALUELB3/4X90	3/4X90 ALUMINUM ELBOW	36	10
ALUELB1X90	1X90 ALUMINUM ELBOW	63	10
ALUELB1-1/4X90	1-1/4X90 ALUMINUM ELBOW	101	10
ALUELB1-1/2X90	1-1/2X90 ALUMINUM ELBOW	140	10
ALUELB2X90	2X90 ALUMINUM ELBOW	230	10
ALUELB2-1/2X90	2-1/2X90 ALUMINUM ELBOW	408	BLK
ALUELB3X90	3X90 ALUMINUM ELBOW	641	BLK
ALUELB3-1/2X90	3-1/2X90 ALUMINUM ELBOW	893	BLK
ALUELB4X90	4X90 ALUMINUM ELBOW	1114	BLK
ALUELB5X90	5X90 ALUMINUM ELBOW	2472	BLK
ALUELB6X90	6X90 ALUMINUM ELBOW	3872	BLK
ALUELB1/2X45	1/2X45 ALUMINUM ELBOW	22	10
ALUELB3/4X45	3/4X45 ALUMINUM ELBOW	31	10
ALUELB1X45	1X45 ALUMINUM ELBOW	54	10
ALUELB1-1/4X45	1-1/4X45 ALUMINUM ELBOW	86	10
ALUELB1-1/2X45	1-1/2X45 ALUMINUM ELBOW	119	10
ALUELB2X45	2X45 ALUMINUM ELBOW	196	10
ALUELB2-1/2X45	2-1/2X45 ALUMINUM ELBOW	347	BLK
ALUELB3X45	3X45 ALUMINUM ELBOW	545	BLK
ALUELB3-1/2X45	3-1/2X45 ALUMINUM ELBOW	759	BLK
ALUELB4X45	4X45 ALUMINUM ELBOW	947	BLK
ALUELB5X45	5X45 ALUMINUM ELBOW	2101	BLK
ALUELB6X45	6X45 ALUMINUM ELBOW	3291	BLK

### Aluminum Special Radius Elbows

Catalog Number	Description	App Weight (lbs)	Standard Carton
ALUELB1X90X12	1X90X12 ALUMINUM ELBOW	2	BLK
ALUELB1-1/4X90X12	1-1/4X90X12 ALUMINUM ELBOW	2	BLK
ALUELB1-1/2X90X12	1-1/2X90X12 ALUMINUM ELBOW	3	BLK
ALUELB2X90X12	2X90X12 ALUMINUM ELBOW	4	BLK
ALUELB1X45X12	1X45X12 ALUMINUM ELBOW	2	BLK
ALUELB1-1/4X45X12	1-1/4X45X12 ALUMINUM ELBOW	2	BLK
ALUELB1-1/2X45X12	1-1/2X45X12 ALUMINUM ELBOW	3	BLK
ALUELB2X45X12	2X45X12 ALUMINUM ELBOW	3	BLK
ALUELB1X60X12	1X60X12 ALUMINUM ELBOW	2	BLK
ALUELB1-1/4X60X12	1-1/4X60X12 ALUMINUM ELBOW	2	BLK
ALUELB1-1/2X60X12	1-1/2X60X12 ALUMINUM ELBOW	3	BLK
ALUELB2X60X12	2X60X12 ALUMINUM ELBOW	4	BLK
ALUELB1X30X12	1X30X12 ALUMINUM ELBOW	2	BLK
ALUELB1-1/4X30X12	1-1/4X30X12 ALUMINUM ELBOW	2	BLK
ALUELB1-1/2X30X12	1-1/2X30X12 ALUMINUM ELBOW	2	BLK
ALUELB2X30X12	2X30X12 ALUMINUM ELBOW	3	BLK
ALUELB2X90X15	2X90X15 ALUMINUM ELBOW	4	BLK
ALUELB2X45X15	2X45X15 ALUMINUM ELBOW	3	BLK
ALUELB2X60X15	2X60X15 ALUMINUM ELBOW	4	BLK
ALUELB2X30X15	2X30X15 ALUMINUM ELBOW	3	BLK
ALUELB1X90X18	1X90X18 ALUMINUM ELBOW	2	BLK
ALUELB1-1/4X90X18	1-1/4X90X18 ALUMINUM ELBOW	3	BLK
ALUELB1-1/2X90X18	1-1/2X90X18 ALUMINUM ELBOW	4	BLK
ALUELB2X90X18	2X90X18 ALUMINUM ELBOW	5	BLK
ALUELB2-1/2X90X18	2-1/2X90X18 ALUMINUM ELBOW	8	BLK
ALUELB3X90X18	3X90X18 ALUMINUM ELBOW	10	BLK
ALUELB3-1/2X90X18	3-1/2X90X18 ALUMINUM ELBOW	12	BLK
ALUELB4X90X18	4X90X18 ALUMINUM ELBOW	14	BLK
ALUELB1X45X18	1X45X18 ALUMINUM ELBOW	2	BLK
ALUELB1-1/4X45X18	1-1/4X45X18 ALUMINUM ELBOW	3	BLK
ALUELB1-1/2X45X18	1-1/2X45X18 ALUMINUM ELBOW	3	BLK
ALUELB2X45X18	2X45X18 ALUMINUM ELBOW	4	BLK
ALUELB2-1/2X45X18	2-1/2X45X18 ALUMINUM ELBOW	7	BLK
ALUELB3X45X18	3X45X18 ALUMINUM ELBOW	9	BLK
ALUELB3-1/2X45X18	3-1/2X45X18 ALUMINUM ELBOW	10	BLK
ALUELB4X45X18	4X45X18 ALUMINUM ELBOW	12	BLK

Weights shown are approximate for 90° elbows. To arrive at weights for 60° elbows deduct 10%, for 45° elbows deduct 15%, and for 30° elbows deduct 20%. **All products on this page are made to order. Consult factory for lead times. All Aluminum elbows are noncancelable and nonreturnable.**

### Aluminum Special Radius Elbows

Catalog Number	Description	App Weight (lbs)	Standard Carton
ALUELB1X60X18	1X60X18 ALUMINUM ELBOW	2	BLK
ALUELB1-1/4X60X18	1-1/4X60X18 ALUMINUM ELBOW	3	BLK
ALUELB1-1/2X60X18	1-1/2X60X18 ALUMINUM ELBOW	4	BLK
ALUELB2X60X18	2X60X18 ALUMINUM ELBOW	5	BLK
ALUELB2-1/2X60X18	2-1/2X60X18 ALUMINUM ELBOW	7	BLK
ALUELB3X60X18	3X60X18 ALUMINUM ELBOW	9	BLK
ALUELB3-1/2X60X18	3-1/2X60X18 ALUMINUM ELBOW	11	BLK
ALUELB4X60X18	4X60X18 ALUMINUM ELBOW	13	BLK
ALUELB1X30X18	1X30X18 ALUMINUM ELBOW	2	BLK
ALUELB1-1/4X30X18	1-1/4X30X18 ALUMINUM ELBOW	2	BLK
ALUELB1-1/2X30X18	1-1/2X30X18 ALUMINUM ELBOW	3	BLK
ALUELB2X30X18	2X30X18 ALUMINUM ELBOW	4	BLK
ALUELB2-1/2X30X18	2-1/2X30X18 ALUMINUM ELBOW	6	BLK
ALUELB3X30X18	3X30X18 ALUMINUM ELBOW	8	BLK
ALUELB3-1/2X30X18	3 1/2X30X18 ALUMINUM ELBOW	10	BLK
ALUELB4X30X18	4X30X18 ALUMINUM ELBOW	11	BLK
ALUELB1X90X24	1X90X24 ALUMINUM ELBOW	3	BLK
ALUELB1-1/4X90X24	1-1/4X90X24 ALUMINUM ELBOW	4	BLK
ALUELB1-1/2X90X24	1-1/2X90X24 ALUMINUM ELBOW	5	BLK
ALUELB2X90X24	2X90X24 ALUMINUM ELBOW	6	BLK
ALUELB2-1/2X90X24	2-1/2X90X24 ALUMINUM ELBOW	9	BLK
ALUELB3X90X24	3X90X24 ALUMINUM ELBOW	12	BLK
ALUELB3-1/2X90X24	3-1/2X90X24 ALUMINUM ELBOW	14	BLK
ALUELB4X90X24	4X90X24 ALUMINUM ELBOW	17	BLK
ALUELB1X45X24	1X45X24 ALUMINUM ELBOW	3	BLK
ALUELB1-1/4X45X24	1-1/4X45X24 ALUMINUM ELBOW	3	BLK
ALUELB1-1/2X45X24	1-1/2X45X24 ALUMINUM ELBOW	4	BLK
ALUELB2X45X24	2X45X24 ALUMINUM ELBOW	5	BLK
ALUELB2-1/2X45X24	2-1/2X45X24 ALUMINUM ELBOW	8	BLK
ALUELB3X45X24	3X45X24 ALUMINUM ELBOW	10	BLK
ALUELB3-1/2X45X24	3-1/2X45X24 ALUMINUM ELBOW	12	BLK
ALUELB4X45X24	4X45X24 ALUMINUM ELBOW	14	BLK
ALUELB1X60X24	1X60X24 ALUMINUM ELBOW	3	BLK
ALUELB1-1/4X60X24	1-1/4X60X24 ALUMINUM ELBOW	4	BLK
ALUELB1-1/2X60X24	1-1/2X60X24 ALUMINUM ELBOW	5	BLK
ALUELB2X60X24	2X60X24 ALUMINUM ELBOW	5	BLK
ALUELB2-1/2X60X24	2-1/2X60X24 ALUMINUM ELBOW	8	BLK
ALUELB3X60X24	3X60X24 ALUMINUM ELBOW	11	BLK
ALUELB3-1/2X60X24	3-1/2X60X24 ALUMINUM ELBOW	13	BLK
ALUELB4X60X24	4X60X24 ALUMINUM ELBOW	15	BLK

Weights shown are approximate for 90° elbows. To arrive at weights for 60° elbows deduct 10%, for 45° elbows deduct 15%, and for 30° elbows deduct 20%. **All products on this page are made to order. Consult factory for lead times. All Aluminum elbows are noncancelable and nonreturnable.**

### Aluminum Special Radius Elbows

Catalog Number	Description	App Weight (lbs)	Standard Carton
ALUELB1X30X24	1X30X24 ALUMINUM ELBOW	2	BLK
ALUELB1-1/4X30X24	1-1/4X30X24 ALUMINUM ELBOW	3	BLK
ALUELB1-1/2X30X24	1-1/2X30X24 ALUMINUM ELBOW	4	BLK
ALUELB2X30X24	2X30X24 ALUMINUM ELBOW	5	BLK
ALUELB2-1/2X30X24	2-1/2X30X24 ALUMINUM ELBOW	7	BLK
ALUELB3X30X24	3X30X24 ALUMINUM ELBOW	10	BLK
ALUELB3-1/2X30X24	3-1/2X30X24 ALUMINUM ELBOW	11	BLK
ALUELB4X30X24	4X30X24 ALUMINUM ELBOW	14	BLK
ALUELB1X90X30	1X90X30 ALUMINUM ELBOW	3	BLK
ALUELB1-1/4X90X30	1-1/4X90X30 ALUMINUM ELBOW	4	BLK
ALUELB1-1/2X90X30	1-1/2X90X30 ALUMINUM ELBOW	5	BLK
ALUELB2X90X30	2X90X30 ALUMINUM ELBOW	7	BLK
ALUELB2-1/2X90X30	2-1/2X90X30 ALUMINUM ELBOW	11	BLK
ALUELB3X90X30	3X90X30 ALUMINUM ELBOW	14	BLK
ALUELB4X90X30	4X90X30 ALUMINUM ELBOW	20	BLK
ALUELB5X90X30	5X90X30 ALUMINUM ELBOW	29	BLK
ALUELB1X45X30	1X45X30 ALUMINUM ELBOW	3	BLK
ALUELB1-1/4X45X30	1-1/4X45X30 ALUMINUM ELBOW	3	BLK
ALUELB1-1/2X45X30	1-1/2X45X30 ALUMINUM ELBOW	4	BLK
ALUELB2X45X30	2X45X30 ALUMINUM ELBOW	6	BLK
ALUELB2-1/2X45X30	2-1/2X45X30 ALUMINUM ELBOW	9	BLK
ALUELB3X45X30	3X45X30 ALUMINUM ELBOW	12	BLK
ALUELB4X45X30	4X45X30 ALUMINUM ELBOW	17	BLK
ALUELB5X45X30	5X45X30 ALUMINUM ELBOW	25	BLK
ALUELB1X60X30	1X60X30 ALUMINUM ELBOW	3	BLK
ALUELB1-1/4X60X30	1-1/4X60X30 ALUMINUM ELBOW	4	BLK
ALUELB1-1/2X60X30	1-1/2X60X30 ALUMINUM ELBOW	5	BLK
ALUELB2X60X30	2X60X30 ALUMINUM ELBOW	6	BLK
ALUELB2-1/2X60X30	2-1/2X60X30 ALUMINUM ELBOW	10	BLK
ALUELB3X60X30	3X60X30 ALUMINUM ELBOW	13	BLK
ALUELB4X60X30	4X60X30 ALUMINUM ELBOW	18	BLK
ALUELB5X60X30	5X60X30 ALUMINUM ELBOW	26	BLK

Weights shown are approximate for 90° elbows. To arrive at weights for 60° elbows deduct 10%, for 45° elbows deduct 15%, and for 30° elbows deduct 20%. **All products on this page are made to order. Consult factory for lead times. All Aluminum elbows are noncancelable and nonreturnable.**

### Aluminum Special Radius Elbows

Catalog Number	Description	App Weight (lbs)	Standard Carton
ALUELB1X30X30	1X30X30 ALUMINUM ELBOW	2	BLK
ALUELB1-1/4X30X30	1-1/4X30X30 ALUMINUM ELBOW	3	BLK
ALUELB1-1/2X30X30	1-1/2X30X30 ALUMINUM ELBOW	5	BLK
ALUELB2X30X30	2X30X30 ALUMINUM ELBOW	6	BLK
ALUELB2-1/2X30X30	2-1/2X30X30 ALUMINUM ELBOW	10	BLK
ALUELB3X30X30	3X30X30 ALUMINUM ELBOW	13	BLK
ALUELB4X30X30	4X30X30 ALUMINUM ELBOW	16	BLK
ALUELB5X30X30	5X30X30 ALUMINUM ELBOW	23	BLK
ALUELB1X90X36	1X90X36 ALUMINUM ELBOW	4	BLK
ALUELB1-1/4X90X36	1-1/4X90X36 ALUMINUM ELBOW	5	BLK
ALUELB1-1/2X90X36	1-1/2X90X36 ALUMINUM ELBOW	6	BLK
ALUELB2X90X36	2X90X36 ALUMINUM ELBOW	8	BLK
ALUELB2-1/2X90X36	2-1/2X90X36 ALUMINUM ELBOW	12	BLK
ALUELB3X90X36	3X90X36 ALUMINUM ELBOW	16	BLK
ALUELB3-1/2X90X36	3-1/2X90X36 ALUMINUM ELBOW	19	BLK
ALUELB4X90X36	4X90X36 ALUMINUM ELBOW	23	BLK
ALUELB5X90X36	5X90X36 ALUMINUM ELBOW	32	BLK
ALUELB6X90X36	6X90X36 ALUMINUM ELBOW	42	BLK
ALUELB1X45X36	1X45X36 ALUMINUM ELBOW	3	BLK
ALUELB1-1/4X45X36	1-1/4X45X36 ALUMINUM ELBOW	4	BLK
ALUELB1-1/2X45X36	1-1/2X45X36 ALUMINUM ELBOW	5	BLK
ALUELB2X45X36	2X45X36 ALUMINUM ELBOW	7	BLK
ALUELB2-1/2X45X36	2-1/2X45X36 ALUMINUM ELBOW	10	BLK
ALUELB3X45X36	3X45X36 ALUMINUM ELBOW	14	BLK
ALUELB3-1/2X45X36	3-1/2X45X36 ALUMINUM ELBOW	16	BLK
ALUELB4X45X36	4X45X36 ALUMINUM ELBOW	20	BLK
ALUELB5X45X36	5X45X36 ALUMINUM ELBOW	27	BLK
ALUELB6X45X36	6X45X36 ALUMINUM ELBOW	29	BLK
ALUELB1X60X36	1X60X36 ALUMINUM ELBOW	4	BLK
ALUELB1-1/4X60X36	1-1/4X60X36 ALUMINUM ELBOW	5	BLK
ALUELB1-1/2X60X36	1-1/2X60X36 ALUMINUM ELBOW	5	BLK
ALUELB2X60X36	2X60X36 ALUMINUM ELBOW	7	BLK
ALUELB2-1/2X60X36	2-1/2X60X36 ALUMINUM ELBOW	11	BLK
ALUELB3X60X36	3X60X36 ALUMINUM ELBOW	14	BLK
ALUELB3-1/2X60X36	3-1/2X60X36 ALUMINUM ELBOW	17	BLK
ALUELB4X60X36	4X60X36 ALUMINUM ELBOW	18	BLK
ALUELB5X60X36	5X60X36 ALUMINUM ELBOW	29	BLK
ALUELB6X60X36	6X60X36 ALUMINUM ELBOW	39	BLK

Weights shown are approximate for 90° elbows. To arrive at weights for 60° elbows deduct 10%, for 45° elbows deduct 15%, and for 30° elbows deduct 20%. **All products on this page are made to order. Consult factory for lead times. All Aluminum elbows are noncancelable and nonreturnable.**

### Aluminum Special Radius Elbows

Catalog Number	Description	App Weight (lbs)	Standard Carton
ALUELB1X30X36	1X30X36 ALUMINUM ELBOW	3	BLK
ALUELB1-1/4X30X36	1-1/4X30X36 ALUMINUM ELBOW	4	BLK
ALUELB1-1/2X30X36	1-1/2X30X36 ALUMINUM ELBOW	5	BLK
ALUELB2X30X36	2X30X36 ALUMINUM ELBOW	6	BLK
ALUELB2-1/2X30X36	2-1/2X30X36 ALUMINUM ELBOW	10	BLK
ALUELB3X30X36	3X30X36 ALUMINUM ELBOW	13	BLK
ALUELB3-1/2X30X36	3-1/2X30X36 ALUMINUM ELBOW	15	BLK
ALUELB4X30X36	4X30X36 ALUMINUM ELBOW	18	BLK
ALUELB5X30X36	5X30X36 ALUMINUM ELBOW	26	BLK
ALUELB6X30X36	6X30X36 ALUMINUM ELBOW	34	BLK
ALUELB4X90X42	4X90X42 ALUMINUM ELBOW	26	BLK
ALUELB5X90X42	5X90X42 ALUMINUM ELBOW	37	BLK
ALUELB4X45X42	4X45X42 ALUMINUM ELBOW	22	BLK
ALUELB5X45X42	5X45X42 ALUMINUM ELBOW	31	BLK
ALUELB4X60X42	4X60X42 ALUMINUM ELBOW	23	BLK
ALUELB5X60X42	5X60X42 ALUMINUM ELBOW	33	BLK
ALUELB4X30X42	4X30X42 ALUMINUM ELBOW	21	BLK
ALUELB5X30X42	5X30X42 ALUMINUM ELBOW	30	BLK
ALUELB1X90X48	1X90X48 ALUMINUM ELBOW	5	BLK
ALUELB1-1/4X90X48	1-1/4X90X48 ALUMINUM ELBOW	6	BLK
ALUELB1-1/2X90X48	1-1/2X90X48 ALUMINUM ELBOW	8	BLK
ALUELB2X90X48	2X90X48 ALUMINUM ELBOW	10	BLK
ALUELB2-1/2X90X48	2-1/2X90X48 ALUMINUM ELBOW	16	BLK
ALUELB3X90X48	3X90X48 ALUMINUM ELBOW	21	BLK
ALUELB3-1/2X90X48	3-1/2X90X48 ALUMINUM ELBOW	25	BLK
ALUELB4X90X48	4X90X48 ALUMINUM ELBOW	29	BLK
ALUELB5X90X48	5X90X48 ALUMINUM ELBOW	42	BLK
ALUELB6X90X48	6X90X48 ALUMINUM ELBOW	54	BLK

Weights shown are approximate for 90° elbows. To arrive at weights for 60° elbows deduct 10%, for 45° elbows deduct 15%, and for 30° elbows deduct 20%. **All products on this page are made to order. Consult factory for lead times. All Aluminum elbows are noncancelable and nonreturnable.**

### Aluminum Special Radius Elbows

Catalog Number	Description	App Weight (lbs)	Standard Carton
ALUELB1X45X48	1X45X48 ALUMINUM ELBOW	4	BLK
ALUELB1-1/4X45X48	1-1/4X45X48 ALUMINUM ELBOW	5	BLK
ALUELB1-1/2X45X48	1-1/2X45X48 ALUMINUM ELBOW	7	BLK
ALUELB2X45X48	2X45X48 ALUMINUM ELBOW	9	BLK
ALUELB2-1/2X45X48	2-1/2X45X48 ALUMINUM ELBOW	14	BLK
ALUELB3X45X48	3X45X48 ALUMINUM ELBOW	18	BLK
ALUELB3-1/2X45X48	3-1/2X45X48 ALUMINUM ELBOW	21	BLK
ALUELB4X45X48	4X45X48 ALUMINUM ELBOW	25	BLK
ALUELB5X45X48	5X45X48 ALUMINUM ELBOW	36	BLK
ALUELB6X45X48	6X45X48 ALUMINUM ELBOW	46	BLK
ALUELB1X60X48	1X60X48 ALUMINUM ELBOW	5	BLK
ALUELB1-1/4X60X48	1-1/4X60X48 ALUMINUM ELBOW	5	BLK
ALUELB1-1/2X60X48	1-1/2X60X48 ALUMINUM ELBOW	7	BLK
ALUELB2X60X48	2X60X48 ALUMINUM ELBOW	9	BLK
ALUELB2-1/2X60X48	2-1/2X60X48 ALUMINUM ELBOW	14	BLK
ALUELB3X60X48	3X60X48 ALUMINUM ELBOW	19	BLK
ALUELB3-1/2X60X48	3-1/2X60X48 ALUMINUM ELBOW	22	BLK
ALUELB4X60X48	4X60X48 ALUMINUM ELBOW	26	BLK
ALUELB5X60X48	5X60X48 ALUMINUM ELBOW	38	BLK
ALUELB6X60X48	6X60X48 ALUMINUM ELBOW	49	BLK
ALUELB1X30X48	1X30X48 ALUMINUM ELBOW	4	BLK
ALUELB1-1/4X30X48	1-1/4X30X48 ALUMINUM ELBOW	5	BLK
ALUELB1-1/2X30X48	1-1/2X30X48 ALUMINUM ELBOW	6	BLK
ALUELB2X30X48	2X30X48 ALUMINUM ELBOW	8	BLK
ALUELB2-1/2X30X48	2-1/2X30X48 ALUMINUM ELBOW	13	BLK
ALUELB3X30X48	3X30X48 ALUMINUM ELBOW	17	BLK
ALUELB3-1/2X30X48	3-1/2X30X48 ALUMINUM ELBOW	20	BLK
ALUELB4X30X48	4X30X48 ALUMINUM ELBOW	23	BLK
ALUELB5X30X48	5X30X48 ALUMINUM ELBOW	34	BLK
ALUELB6X30X48	6X30X48 ALUMINUM ELBOW	43	BLK

Weights shown are approximate for 90° elbows. To arrive at weights for 60° elbows deduct 10%, for 45° elbows deduct 15%, and for 30° elbows deduct 20%. **All products on this page are made to order. Consult factory for lead times. All Aluminum elbows are noncancelable and nonreturnable.**



## Aluminum Conduit Nipples

Catalog Number	Description	Weight Per 100 Pieces (lbs)	Standard Carton
ALUNIP1/2XCL	1/2X1-1/8 (CL) ALUMINUM NIPPLE	2	25
ALUNIP3/4XCL	3/4X13/8 (CL) ALUMINUM NIPPLE	3	25
ALUNIP1XCL	1X1-1/2 (CL) ALUMINUM NIPPLE	4	25
ALUNIP1-1/4XCL	1-1/4X1-5/8 (CL) ALUMINUM NIPPLE	7	25
ALUNIP1-1/2XCL	1-1/2X1-3/4 (CL) ALUMINUM NIPPLE	10	25
ALUNIP2XCL	2X2 (CL) ALUMINUM NIPPLE	16	25
ALUNIP2-1/2XCL	2-1/2X2-1/2 (CL) ALUMINUM NIPPLE	22	12
ALUNIP3XCL	3X2-5/8 (CL) ALUMINUM NIPPLE	24	12
ALUNIP3-1/2XCL	3-1/2X2-3/4 (CL) ALUMINUM NIPPLE	42	12
ALUNIP4XCL	4X2-7/8 (CL) ALUMINUM NIPPLE	51	12
ALUNIP5XCL	5X3 (CL) ALUMINUM NIPPLE	71	BLK
ALUNIP6XCL	6X3-1/8 (CL) ALUMINUM NIPPLE	105	BLK
ALUNIP1/2X1-1/2	1/2X1-1/2 ALUMINUM NIPPLE	3	25
ALUNIP3/4X1-1/2	3/4X1-1/2 ALUMINUM NIPPLE	3	25
ALUNIP1/2X2	1/2X2 ALUMINUM NIPPLE	4	25
ALUNIP3/4X2	3/4X2 ALUMINUM NIPPLE	5	25
ALUNIP1X2	1X2 ALUMINUM NIPPLE	7	25
ALUNIP1-1/4X2	1-1/4X2 ALUMINUM NIPPLE	10	25
ALUNIP1-1/2X2	1-1/2X2 ALUMINUM NIPPLE	12	25
ALUNIP1/2X2-1/2	1/2X2-1/2 ALUMINUM NIPPLE	5	25
ALUNIP3/4X2-1/2	3/4X2-1/2 ALUMINUM NIPPLE	7	25
ALUNIP1X2-1/2	1X2-1/2 ALUMINUM NIPPLE	8	25
ALUNIP1-1/4X2-1/2	1-1/4X2-1/2 ALUMINUM NIPPLE	13	25
ALUNIP1-1/2X2-1/2	1-1/2X2-1/2 ALUMINUM NIPPLE	16	25
ALUNIP2X2-1/2	2X2-1/2 ALUMINUM NIPPLE	22	25
ALUNIP1/2X3	1/2X3 ALUMINUM NIPPLE	7	25
ALUNIP3/4X3	3/4X3 ALUMINUM NIPPLE	8	25
ALUNIP1X3	1X3 ALUMINUM NIPPLE	12	25
ALUNIP1-1/4X3	1-1/4X3 ALUMINUM NIPPLE	16	25
ALUNIP1-1/2X3	1-1/2X3 ALUMINUM NIPPLE	20	25
ALUNIP2X3	2X3 ALUMINUM NIPPLE	27	25
ALUNIP2-1/2X3	2-1/2X3 ALUMINUM NIPPLE	30	12
ALUNIP3X3	3X3 ALUMINUM NIPPLE	42	12
ALUNIP1/2X3-1/2	1/2X3-1/2 ALUMINUM NIPPLE	8	25
ALUNIP3/4X3-1/2	3/4X3-1/2 ALUMINUM NIPPLE	10	25
ALUNIP1X3-1/2	1X3-1/2 ALUMINUM NIPPLE	14	25
ALUNIP1-1/4X3-1/2	1-1/4X3-1/2 ALUMINUM NIPPLE	20	25
ALUNIP1-1/2X3-1/2	1-1/2X3-1/2 ALUMINUM NIPPLE	24	25
ALUNIP2X3-1/2	2X3-1/2 ALUMINUM NIPPLE	32	25
ALUNIP2-1/2X3-1/2	2-1/2X3-1/2 ALUMINUM NIPPLE	39	12
ALUNIP3X3-1/2	3X3-1/2 ALUMINUM NIPPLE	53	12

## Aluminum Conduit Nipples

Catalog Number	Description	Weight Per 100 Pieces (lbs)	Standard Carton
ALUNIP1/2X4	1/2 X4 ALUMINUM NIPPLE	9	25
ALUNIP3/4X4	3/4X4 ALUMINUM NIPPLE	12	25
ALUNIP1X4	1X4 ALUMINUM NIPPLE	16	25
ALUNIP1-1/4X4	1-1/4X4 ALUMINUM NIPPLE	23	25
ALUNIP1-1/2X4	1-1/2X4 ALUMINUM NIPPLE	28	25
ALUNIP2X4	2X4 ALUMINUM NIPPLE	38	25
ALUNIP2-1/2X4	2-1/2X4 ALUMINUM NIPPLE	47	12
ALUNIP3X4	3X4 ALUMINUM NIPPLE	64	12
ALUNIP3-1/2X4	3-1/2X4 ALUMINUM NIPPLE	75	12
ALUNIP4X4	4X4 ALUMINUM NIPPLE	87	12
ALUNIP1/2X5	1/2X5 ALUMINUM NIPPLE	12	25
ALUNIP3/4X5	3/4X5 ALUMINUM NIPPLE	15	25
ALUNIP1X5	1X5 ALUMINUM NIPPLE	21	25
ALUNIP1-1/4X5	1-1/4X5 ALUMINUM NIPPLE	29	25
ALUNIP1-1/2X5	1-1/2X5 ALUMINUM NIPPLE	36	25
ALUNIP2X5	2X5 ALUMINUM NIPPLE	48	25
ALUNIP2-1/2X5	2-1/2X5 ALUMINUM NIPPLE	64	12
ALUNIP3X5	3X5 ALUMINUM NIPPLE	86	12
ALUNIP3-1/2X5	3-1/2X5 ALUMINUM NIPPLE	101	12
ALUNIP4X5	4X5 ALUMINUM NIPPLE	118	12
ALUNIP5X5	5X5 ALUMINUM NIPPLE	155	BLK
ALUNIP6X5	6X5 ALUMINUM NIPPLE	208	BLK
ALUNIP1/2X6	1/2X6 ALUMINUM NIPPLE	14	25
ALUNIP3/4X6	3/4X6 ALUMINUM NIPPLE	18	25
ALUNIP1X6	1X6 ALUMINUM NIPPLE	26	25
ALUNIP1-1/4X6	1-1/4X6 ALUMINUM NIPPLE	36	25
ALUNIP1-1/2X6	1-1/2X6 ALUMINUM NIPPLE	44	25
ALUNIP2X6	2X6 ALUMINUM NIPPLE	58	25
ALUNIP2-1/2X6	2-1/2X6 ALUMINUM NIPPLE	80	10
ALUNIP3X6	3X6 ALUMINUM NIPPLE	108	10
ALUNIP3-1/2X6	3-1/2X6 ALUMINUM NIPPLE	128	5
ALUNIP4X6	4X6 ALUMINUM NIPPLE	149	5
ALUNIP5X6	5X6 ALUMINUM NIPPLE	197	BLK
ALUNIP6X6	6X6 ALUMINUM NIPPLE	263	BLK

## Aluminum Conduit Nipples

Catalog Number	Description	Weight Per 100 Pieces (lbs)	Standard Carton
ALUNIP1/2X8	1/2X8 ALUMINUM NIPPLE	19	25
ALUNIP3/4X8	3/4X8 ALUMINUM NIPPLE	25	25
ALUNIP1X8	1X8 ALUMINUM NIPPLE	36	25
ALUNIP1-1/4X8	1-1/4X8 ALUMINUM NIPPLE	49	10
ALUNIP1-1/2X8	1-1/2X8 ALUMINUM NIPPLE	59	10
ALUNIP2X8	2X8 ALUMINUM NIPPLE	78	10
ALUNIP2-1/2X8	2-1/2X8 ALUMINUM NIPPLE	114	5
ALUNIP3X8	3X8 ALUMINUM NIPPLE	152	5
ALUNIP3-1/2X8	3-1/2X8 ALUMINUM NIPPLE	180	5
ALUNIP4X8	4X8 ALUMINUM NIPPLE	212	3
ALUNIP5X8	5X8 ALUMINUM NIPPLE	281	BLK
ALUNIP6X8	6X8 ALUMINUM NIPPLE	372	BLK
ALUNIP1/2X10	1/2X10 ALUMINUM NIPPLE	24	25
ALUNIP3/4X10	3/4X10 ALUMINUM NIPPLE	31	25
ALUNIP1X10	1X10 ALUMINUM NIPPLE	45	25
ALUNIP1-1/4X10	1-1/4X10 ALUMINUM NIPPLE	62	10
ALUNIP1-1/2X10	1-1/2X10 ALUMINUM NIPPLE	74	10
ALUNIP2X10	2X10 ALUMINUM NIPPLE	100	10
ALUNIP2-1/2X10	2-1/2X10 ALUMINUM NIPPLE	148	5
ALUNIP3X10	3X10 ALUMINUM NIPPLE	196	5
ALUNIP3-1/2X10	3-1/2X10 ALUMINUM NIPPLE	234	4
ALUNIP4X10	4X10 ALUMINUM NIPPLE	274	4
ALUNIP5X10	5X10 ALUMINUM NIPPLE	366	BLK
ALUNIP6X10	6X10 ALUMINUM NIPPLE	481	BLK
ALUNIP1/2X12	1/2X12 ALUMINUM NIPPLE	29	25
ALUNIP3/4X12	3/4X12 ALUMINUM NIPPLE	38	25
ALUNIP1X12	1X12 ALUMINUM NIPPLE	55	25
ALUNIP1-1/4X12	1-1/4X12 ALUMINUM NIPPLE	75	10
ALUNIP1-1/2X12	1-1/2X12 ALUMINUM NIPPLE	90	10
ALUNIP2X12	2X12 ALUMINUM NIPPLE	120	10
ALUNIP2-1/2X12	2-1/2X12 ALUMINUM NIPPLE	180	5
ALUNIP3X12	3X12 ALUMINUM NIPPLE	240	5
ALUNIP3-1/2X12	3-1/2X12 ALUMINUM NIPPLE	286	4
ALUNIP4X12	4X12 ALUMINUM NIPPLE	336	4
ALUNIP5X12	5X12 ALUMINUM NIPPLE	450	BLK
ALUNIP6X12	6X12 ALUMINUM NIPPLE	591	BLK

# Original Korns Clamps

For Conduit, Strut, and  
Cable Tray Support Systems



Parallel Conduit Support



Right Angle Conduit Support



Beam Clamp



Edge Type Conduit Support

## The Original Korns Clamp

Malleable iron—  
Hot dip galvanized—standard. Also available with various grades of stainless steel hardware. Contact Korns representative or factory for pricing.



### Right Angle Conduit Supports

Catalog Number	Description	Weight Per 100 Pieces (lbs)	Standard Carton
KNRA-3/8	3/8 RIGHT ANGLE CLAMP	25	50
KNRA-1/2	1/2 RIGHT ANGLE CLAMP	40	50
KNRA-3/4	3/4 RIGHT ANGLE CLAMP	43	50
KNRA-1	1 RIGHT ANGLE CLAMP	48	25
KNRA-1-1/4	1-1/4 RIGHT ANGLE CLAMP	53	25
KNRA-1-1/2	1-1/2 RIGHT ANGLE CLAMP	58	25
KNRA-2	2 RIGHT ANGLE CLAMP	85	25
KNRA-2-1/2	2-1/2 RIGHT ANGLE CLAMP	106	20
KNRA-3	3 RIGHT ANGLE CLAMP	110	15
KNRA-3-1/2	3-1/2 RIGHT ANGLE CLAMP	128	15
KNRA-4	4 RIGHT ANGLE CLAMP	140	10
KNRA-5	5 RIGHT ANGLE CLAMP	330	5
KNRA-6	6 RIGHT ANGLE CLAMP	375	5



### Parallel Conduit Supports

Catalog Number	Description	Weight Per 100 Pieces (lbs)	Standard Carton
KNPAR-3/8	3/8 PARALLEL CLAMP	32	50
KNPAR-1/2	1/2 PARALLEL CLAMP	58	40
KNPAR-3/4	3/4 PARALLEL CLAMP	64	30
KNPAR-1	1 PARALLEL CLAMP	70	30
KNPAR-1-1/4	1-1/4 PARALLEL CLAMP	72	25
KNPAR-1-1/2	1-1/2 PARALLEL CLAMP	93	20
KNPAR-2	2 PARALLEL CLAMP	100	20
KNPAR-2-1/2	2-1/2 PARALLEL CLAMP	135	15
KNPAR-3	3 PARALLEL CLAMP	155	10
KNPAR-3-1/2	3-1/2 PARALLEL CLAMP	190	10
KNPAR-4	4 PARALLEL CLAMP	205	10



### Edge Type Conduit Supports

Catalog Number	Description	Weight Per 100 Pieces (lbs)	Standard Carton
KNET-1/2	1/2 EDGE CLAMP	67	30
KNET-3/4	3/4 EDGE CLAMP	71	30
KNET-1	1 EDGE CLAMP	85	20
KNET-1-1/4	1-1/4 EDGE CLAMP	91	20
KNET-1-1/2	1-1/2 EDGE CLAMP	115	20
KNET-2	2 EDGE CLAMP	135	15
KNET-2-1/2	2-1/2 EDGE CLAMP	183	10
KNET-3	3 EDGE CLAMP	230	5

## The Original Korns Clamp with Stainless Steel Hardware

Malleable iron—  
Hot dip galvanized with 316 stainless steel hardware.



### Right Angle Conduit Supports - Stainless Steel

Catalog Number	Description	Weight Per 100 Pieces (lbs)	Standard Carton
KNRA-1/2-GS	1/2 STAINLESS STEEL RIGHT ANGLE CLAMP	40	50
KNRA-3/4-GS	3/4 STAINLESS STEEL RIGHT ANGLE CLAMP	43	50
KNRA-1-GS	1 STAINLESS STEEL RIGHT ANGLE CLAMP	48	25
KNRA-1-1/4-GS	1-1/4 STAINLESS STEEL RIGHT ANGLE CLAMP	53	25
KNRA-1-1/2-GS	1-1/2 STAINLESS STEEL RIGHT ANGLE CLAMP	58	25
KNRA-2-GS	2 STAINLESS STEEL RIGHT ANGLE CLAMP	85	25
KNRA-2-1/2-GS	2-1/2 STAINLESS STEEL RIGHT ANGLE CLAMP	106	20
KNRA-3-GS	3 STAINLESS STEEL RIGHT ANGLE CLAMP	110	15
KNRA-3-1/2-GS	3-1/2 STAINLESS STEEL RIGHT ANGLE CLAMP	128	15
KNRA-4-GS	4 STAINLESS STEEL RIGHT ANGLE CLAMP	140	10
KNRA-5-GS	5 STAINLESS STEEL RIGHT ANGLE CLAMP	330	5
KNRA-6-GS	6 STAINLESS STEEL RIGHT ANGLE CLAMP	375	5



### Parallel Conduit Supports - Stainless Steel

Catalog Number	Description	Weight Per 100 Pieces (lbs)	Standard Carton
KNPAR-1/2-GS	1/2 STAINLESS STEEL PARALLEL CLAMP	58	40
KNPAR-3/4-GS	3/4 STAINLESS STEEL PARALLEL CLAMP	64	30
KNPAR-1-GS	1 STAINLESS STEEL PARALLEL CLAMP	70	30
KNPAR-1-1/4-GS	1-1/4 STAINLESS STEEL PARALLEL CLAMP	72	25
KNPAR-1-1/2-GS	1-1/2 STAINLESS STEEL PARALLEL CLAMP	93	20
KNPAR-2-GS	2 STAINLESS STEEL PARALLEL CLAMP	100	20
KNPAR-2-1/2-GS	2-1/2 STAINLESS STEEL PARALLEL CLAMP	135	15
KNPAR-3-GS	3 STAINLESS STEEL PARALLEL CLAMP	155	5
KNPAR-3-1/2-GS	3-1/2 STAINLESS STEEL PARALLEL CLAMP	190	10
KNPAR-4-GS	4 STAINLESS STEEL PARALLEL CLAMP	205	10



### Edge Type Conduit Supports - Stainless Steel

Catalog Number	Description	Weight Per 100 Pieces (lbs)	Standard Carton
KNET-1/2-GS	1/2 STAINLESS STEEL EDGE CLAMP	67	30
KNET-3/4-GS	3/4 STAINLESS STEEL EDGE CLAMP	71	30
KNET-1-GS	1 STAINLESS STEEL EDGE CLAMP	85	20
KNET-1-1/4-GS	1-1/4 STAINLESS STEEL EDGE CLAMP	91	20
KNET-1-1/2-GS	1-1/2 STAINLESS STEEL EDGE CLAMP	115	20
KNET-2-GS	2 STAINLESS STEEL EDGE CLAMP	135	15
KNET-2-1/2-GS	2-1/2 STAINLESS STEEL EDGE CLAMP	183	25
KNET-3-GS	3 STAINLESS STEEL EDGE CLAMP	230	5



### Hot Dip Galvanized U-Bolts

Catalog Number	Description	Weight Per 100 Pieces (lbs)	Standard Carton
KNUB-3/8	3/8 UBOLT	6	100
KNUB-1/2	1/2 UBOLT	13	100
KNUB-3/4	3/4 UBOLT	14	100
KNUB-1	1 UBOLT	15	100
KNUB-1-1/4	1-1/4 UBOLT	16	100
KNUB-1-1/2	1-1/2 UBOLT	18	100
KNUB-2	2 UBOLT	30	100
KNUB-2-1/2	2-1/2 UBOLT	34	100
KNUB-3	3 UBOLT	38	50
KNUB-3-1/2	3-1/2 UBOLT	40	25
KNUB-4	4 UBOLT	45	25
KNUB-5	5 UBOLT	95	25
KNUB-6	6 UBOLT	108	25

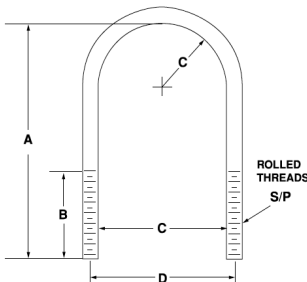
One nut each leg—  
Hot dip galvanized— standard.



### Stainless Steel U-Bolts

Catalog Number	Description	Weight Per 100 Pieces (lbs)	Standard Carton
KNUB-3/8-SS	3/8 STAINLESS STEEL UBOLT	6	100
KNUB-1/2-SS	1/2 STAINLESS STEEL UBOLT	13	100
KNUB-3/4-SS	3/4 STAINLESS STEEL UBOLT	14	100
KNUB-1-SS	1 STAINLESS STEEL UBOLT	15	100
KNUB-1-1/4-SS	1 1/4 STAINLESS STEEL UBOLT	16	100
KNUB-1-1/2-SS	1 1/2 STAINLESS STEEL UBOLT	18	100
KNUB-2-SS	2 STAINLESS STEEL UBOLT	30	100
KNUB-2-1/2-SS	2 1/2 STAINLESS STEEL UBOLT	34	100
KNUB-3-SS	3 STAINLESS STEEL UBOLT	38	50
KNUB-3-1/2-SS	3 1/2 STAINLESS STEEL UBOLT	40	25
KNUB-4-SS	4 STAINLESS STEEL UBOLT	45	25
KNUB-5-SS	5 STAINLESS STEEL UBOLT	95	25
KNUB-6-SS	6 STAINLESS STEEL UBOLT	108	25

One stainless steel nut each leg.  
**Stainless Steel U-Bolts are non-cancelable and non-returnable.**



Size	A	B	C	D	S/P*	R
3/8"	N/A	N/A	N/A	N/A	1/4 - 20	N/A
1/2"	2.41	1.50	.85	1.16	5/16 - 18	.443
3/4"	2.73	1.50	1.11	1.42	5/16 - 18	.573
1"	3.04	1.50	1.41	1.72	5/16 - 18	.723
1-1/4"	3.16	1.50	1.75	2.06	5/16 - 18	.893
1-1/2"	3.48	1.50	2.03	2.34	5/16 - 18	1.033
2"	4.30	1.75	2.50	2.88	3/8 - 16	1.275
2-1/2"	4.80	1.75	3.03	3.40	3/8 - 16	1.535
3"	5.36	1.75	3.67	4.04	3/8 - 16	1.855
3-1/2"	5.80	1.75	4.15	4.52	3/8 - 16	2.095
4"	6.50	1.75	4.53	4.90	3/8 - 16	2.285
5"	7.88	2.50	5.75	6.25	1/2 - 13	2.902
6"	8.88	2.50	6.81	7.31	1/2 - 13	3.432

\*Thread size and pitch.

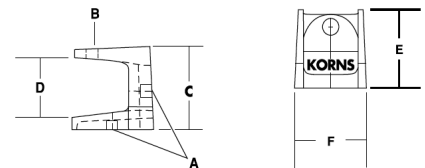


### Beam Clamps

Catalog Number	Description	Weight Per 100 Pieces (lbs)	Standard Carton
KNKBC-101	101 BEAM CLAMP	25	25
KNKBC-102	102 BEAM CLAMP	50	25
KNKBC-103	103 BEAM CLAMP	95	10
KNKBC-104	104 BEAM CLAMP	195	10

Malleable iron with steel set screw—  
Hot Dip Galvanized— Standard.

Trade Dimensions (Inches)						
Size	A	B	C	D	E	F
1	1/4–20	5/16–18	1-1/2	1	1-1/4	1
1-1/2	5/16–18	3/8–16	1-3/4	1	1-5/8	1-1/2
2	3/8–16	1/2–13	2-1/8	1-3/8	2	2
2-1/2	1/2–13	1/2–13	2-1/4	1-3/8	2-1/2	2-3/4



### One-Hole Straps

Catalog Number	Description	Weight Per 100 Pieces (lbs)	Standard Carton
KNOHK-1/2	1/2 ONE HOLE STRAP	6	50
KNOHK-3/4	3/4 ONE HOLE STRAP	9	50
KNOHK-1	1 ONE HOLE STRAP	12	50
KNOHK-1-1/4	1-1/4 ONE HOLE STRAP	20	25
KNOHK-1-1/2	1-1/2 ONE HOLE STRAP	28	25
KNOHK-2	2 ONE HOLE STRAP	63	25
KNOHK-2-1/2	2-1/2 ONE HOLE STRAP	104	25
KNOHK-3	3 ONE HOLE STRAP	126	25
KNOHK-3-1/2	3-1/2 ONE HOLE STRAP	156	10
KNOHK-4	4 ONE HOLE STRAP	231	10

Malleable iron—Rigid/IMC  
Hot dip galvanized—standard.



### Clampback Spacers

Catalog Number	Description	Weight Per 100 Pieces (lbs)	Standard Carton
KNCSK-1/2	1/2 CLAMPBACK SPACER	8	50
KNCSK-3/4	3/4 CLAMPBACK SPACER	9	50
KNCSK-1	1 CLAMPBACK SPACER	15	50
KNCSK-1-1/4	1 1/4 CLAMPBACK SPACER	16	25
KNCSK-1-1/2	1 1/2 CLAMPBACK SPACER	22	25
KNCSK-2	2 CLAMPBACK SPACER	43	25
KNCSK-2-1/2	2 1/2 CLAMPBACK SPACER	51	25
KNCSK-3	3 CLAMPBACK SPACER	71	25
KNCSK-3-1/2	3 1/2 CLAMPBACK SPACER	101	10
KNCSK-4	4 CLAMPBACK SPACER	124	10

Malleable iron—Rigid/IMC  
Hot dip galvanized—standard.



## Appendix

### Article 310 – Conductors for General Wiring

Table 310.16 Allowable ampacities of insulated conductors rated 0 through 2000 volts, 60°C through 90°C (140°F through 194°F), not more than three current-carrying conductors in raceway, cable, or earth (directly buried), based on ambient temperature of 30°C (86°F)

Temperature Rating of Conductors							
	60°C - (140°F)	75°C - (167°F)	90°C - (194°F)	60°C - (140°F)	75°C - (167°F)	90°C - (194°F)	
	Types RHW, THHW, THW, THWN, XHHW, USE, ZW		Types TBS, SA, SIS, FEP, FEPB, MI, RHH, RHW-2, THHN, THHW, THW-2, THWN-2, USE-2, XHH, XHHW, XHHW-2, ZW-2	Types RHW, THHW, THW, THWN, XHHW, USE		Types TBS, SA, SIS, THHN, THHW, THW-2, THWN-2, RHH, RHW-2, USE-2, XHH, XHHW, XHHW-2, ZW-2	
Size AWG or kcmil	Copper			Aluminum or Copper-Clad Aluminum			Size AWG or kcmil
18			14				
16			18				
14*	20	20	25				
12*	25	25	30	20	20	25	12*
10*	30	35	40	25	30	35	10*
8	40	50	55	30	40	45	8
6	55	65	75	40	50	60	6
4	70	85	95	55	65	75	4
3	85	100	110	65	75	85	3
2	95	115	130	75	90	100	2
1	110	130	150	85	100	115	1
1/0	125	150	170	100	120	135	1/0
2/0	145	175	195	115	135	150	2/0
3/0	165	200	225	130	155	175	3/0
4/0	195	230	260	150	180	205	4/0
250	215	255	290	170	205	230	250
300	240	285	320	190	230	255	300
350	260	310	350	210	250	280	350
400	280	335	380	225	270	305	400
500	320	380	430	260	310	350	500
600	355	420	475	285	340	385	600
700	385	460	520	310	375	420	700
750	400	475	535	320	385	435	750
800	410	490	555	330	395	450	800
900	435	520	585	355	425	480	900
1000	455	545	615	375	445	500	1000
1250	495	590	665	405	485	545	1250
1500	520	625	705	435	520	585	1500
1750	545	650	735	455	545	615	1750
2000	560	665	750	470	560	630	2000

### Correction Factors

Ambient Temp. (°C)	For ambient temperatures other than 30°C (86°F), multiply the allowable ampacities shown above by the appropriate factor shown below.						Ambient Temp. (°F)
21 - 25	1.08	1.05	1.04	1.08	1.05	1.04	70 - 77
26 - 30	1.00	1.00	1.00	1.00	1.00	1.00	78 - 86
31 - 35	0.91	0.94	0.96	0.91	0.94	0.96	87 - 95
36 - 40	0.82	0.88	0.91	0.82	0.88	0.91	96 - 104
41 - 45	0.71	0.82	0.87	0.71	0.82	0.87	105 - 113
46 - 50	0.58	0.75	0.82	0.58	0.75	0.82	114 - 122
51 - 55	0.41	0.67	0.76	0.41	0.67	0.76	123 - 131
56 - 60		0.58	0.71		0.58	0.71	132 - 140
61 - 70		0.33	0.58		0.33	0.58	141 - 158
71 - 80			0.41			0.41	159 - 176

## Appendix

**Table C8 – Maximum Number of Conductors or Fixture Wires in Rigid Metal Conduit (RMC) (Based on Table 1, Chapter 9)**

Type	Size (AWG)	16	21	27	35	41	53	63	78	91	103	129	155
	Size (kcmil)	.5	.75	1	1.25	1.5	2	2.5	3	3.5	4	5	6
	Conductor	Metric Designator (Trade Size)											
RHH, RHW, RHW-2	14	4	7	12	21	28	46	66	102	136	176	276	398
	12	3	6	10	17	23	38	55	85	113	146	229	330
	10	3	5	8	14	19	31	44	68	91	118	185	267
	8	1	2	4	7	10	16	23	36	48	61	97	139
	6	1	1	3	6	8	13	18	29	38	49	77	112
	4	1	1	2	4	6	10	14	22	30	38	60	87
	3	1	1	2	4	5	9	12	19	26	34	53	76
	2	1	1	1	3	4	7	11	17	23	29	46	66
	1	0	1	1	1	3	5	7	11	15	19	30	44
	1/0	0	1	1	1	2	4	6	10	13	17	26	38
	2/0	0	1	1	1	2	4	5	8	11	14	23	33
	3/0	0	0	1	1	1	3	4	7	10	12	20	28
	4/0	0	0	1	1	1	3	4	6	8	11	17	24
	250	0	0	0	1	1	1	3	4	6	8	13	18
	300	0	0	0	1	1	1	2	4	5	7	11	16
	350	0	0	0	1	1	1	2	4	5	6	10	15
	400	0	0	0	1	1	1	1	3	4	6	9	13
500	0	0	0	1	1	1	1	3	4	5	8	11	
600	0	0	0	0	1	1	1	2	3	4	6	9	
700	0	0	0	0	1	1	1	1	3	4	6	8	
750	0	0	0	0	0	1	1	1	3	3	5	8	
800	0	0	0	0	0	1	1	1	2	3	5	7	
900	0	0	0	0	0	1	1	1	2	3	5	7	
1000	0	0	0	0	0	1	1	1	1	3	4	6	
TW,	14	9	15	25	44	59	98	140	216	288	370	581	839
THHW,	12	7	12	19	33	45	75	107	165	221	284	446	644
THW,	10	5	9	14	25	34	56	80	123	164	212	332	480
THW-2	8	3	5	8	14	19	31	44	68	91	118	185	267
RHH*, RHW*, RHW-2*	14	6	10	17	29	39	65	93	143	191	246	387	558
RHH*, RHW*, RHW-2*	12	5	8	13	23	32	52	75	115	154	198	311	448
RHH*, RHW*, RHW-2*	10	3	6	10	18	25	41	58	90	120	154	242	350
RHH*, RHW*, RHW-2*	8	1	4	6	11	15	24	35	54	72	92	145	209

Type	Size (AWG)	16	21	27	35	41	53	63	78	91	103	129	155
	Size (kcmil)	.5	.75	1	1.25	1.5	2	2.5	3	3.5	4	5	6
	Conductor	Metric Designator (Trade Size)											
RHH*, RHW*, RHW-2*, TW, THW, THHW, THW-2	6	1	3	5	8	11	18	27	41	55	71	111	160
	4	1	1	3	6	8	14	20	31	41	53	83	120
	3	1	1	3	5	7	12	17	26	35	45	71	103
	2	1	1	2	4	6	10	14	22	30	38	60	87
	1	1	1	1	3	4	7	10	15	21	27	42	61
	1/0	0	1	1	2	3	6	8	13	18	23	36	52
	2/0	0	1	1	2	3	5	7	11	15	19	31	44
	3/0	0	1	1	1	2	4	6	9	13	16	26	37
	4/0	0	0	1	1	1	3	5	8	10	14	21	31
	250	0	0	1	1	1	3	4	6	8	11	17	25
	300	0	0	1	1	1	2	3	5	7	9	15	22
	350	0	0	0	1	1	1	3	5	6	8	13	19
	400	0	0	0	1	1	1	3	4	6	7	12	17
	500	0	0	0	1	1	1	2	3	5	6	10	14
	600	0	0	0	1	1	1	1	3	4	5	8	12
	700	0	0	0	0	1	1	1	2	3	4	7	10
	750	0	0	0	0	1	1	1	2	3	4	7	10
800	0	0	0	0	1	1	1	2	3	4	6	9	
900	0	0	0	0	1	1	1	1	3	4	6	8	
1000	0	0	0	0	0	1	1	1	2	3	5	8	
THHN, THWN, THWN-2	14	13	22	36	63	85	140	200	309	412	531	833	1202
	12	9	16	26	46	62	102	146	225	301	387	608	877
	10	6	10	17	29	39	64	92	142	189	244	383	552
	8	3	6	9	16	22	37	53	82	109	140	221	318
	6	2	4	7	12	16	27	38	59	79	101	159	230
	4	1	2	4	7	10	16	23	36	48	62	98	141
	3	1	1	3	6	8	14	20	31	41	53	83	120
	2	1	1	3	5	7	11	17	26	34	44	70	100
	1	1	1	1	4	5	8	12	19	25	33	51	74
	1/0	1	1	1	3	4	7	10	16	21	27	43	63
	2/0	0	1	1	2	3	6	8	13	18	23	36	52
	3/0	0	1	1	1	3	5	7	11	15	19	30	43
	4/0	0	1	1	1	2	4	6	9	12	16	25	36
	250	0	0	1	1	1	3	5	7	10	13	20	29
	300	0	0	1	1	1	3	4	6	8	11	17	25
	350	0	0	1	1	1	2	3	5	7	10	15	22
	400	0	0	1	1	1	2	3	5	7	8	13	20
500	0	0	0	1	1	1	2	4	5	7	11	16	
600	0	0	0	1	1	1	1	3	4	6	9	13	
700	0	0	0	1	1	1	1	3	4	5	8	11	
750	0	0	0	0	1	1	1	3	4	5	7	11	
800	0	0	0	0	1	1	1	2	3	4	7	10	
900	0	0	0	0	1	1	1	2	3	4	6	9	
1000	0	0	0	0	1	1	1	1	3	4	6	8	

Reprinted with permission from NFPA 70-1999, National Electrical Code®, Copyright © 1998, National Fire Protection Association, Quincy, MA 02269. This reprinted material is not the complete and official position of the NFPA on the referenced subject, which is represented only by the standard in its entirety. National Electrical Code and NEC are registered trademarks of the National Fire Protection Association, Quincy, MA.

**Note:** This table is for concentric stranded conductors only. For compact stranded conductors, Table C8(A) should be used. \*Types RHH, RHW, and RHW-2 without outer covering.

**Robroy Conduit Pipe Fittings are manufactured in accordance with the provisions of the following specifications:**

**Galvanized Rigid Metal Conduit**

Underwriters' Laboratories, Inc. Standard UL-6  
American National Standards Institute, Inc. ANSI C80.1

**Electrical Metallic Tubing**

Underwriters' Laboratories, Inc. Standard UL-797  
American National Standards Institute, Inc. ANSI C80.3

**Aluminum Rigid Conduit**

Underwriters' Laboratories, Inc. Standard UL-6  
American National Standards Institute, Inc. ANSI C80.5

**NEMA – NEMRA – NMG Group–NAED Associates**

CSA APPROVED

• C 22.2 NO 45 • C22.2 NO 83



**ECN / KORNS**  
RACEWAY DIVISION

3159 Wilkes Power Plant Road  
Avinger, Texas 75630  
**Telephone:** 903-562-1342  
**Fax:** 903-562-1711



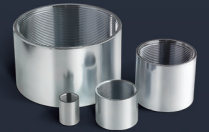
**ECN / KORNS**  
RACEWAY DIVISION

# Buyer's Guide



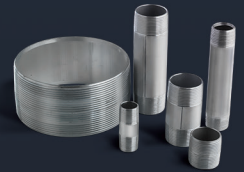
## Elbows

Galvanized  
EMT  
Aluminum



## Couplings

Galvanized  
Aluminum



## Nipples

Galvanized  
Aluminum



## Clamps

Right Angle (RA) Conduit Supports  
Edge Type (ET) Conduit Supports  
One Hole Straps  
Clampback Spacers  
U-Bolts  
SS Hardware  
Parallels (PAR)  
Beam Clamps

UL Listed and Labeled

### Rigid Steel Conduit Galvanized Couplings

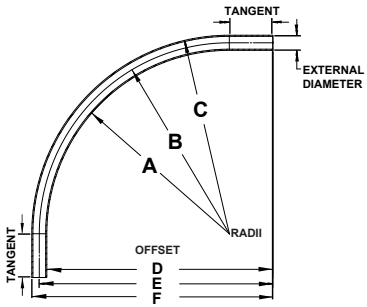
Catalog Number	Description	Weight Per 100 Pieces (lbs)	Standard Carton
GALCPLG1/2	1/2" GALVANIZED COUPLINGS	12	100
GALCPLG3/4	3/4" GALVANIZED COUPLINGS	18	50
GALCPLG1	1" GALVANIZED COUPLINGS	31	50
GALCPLG1-1/4	1-1/4" GALVANIZED COUPLINGS	40	50
GALCPLG1-1/2	1-1/2" GALVANIZED COUPLINGS	52	50
GALCPLG2	2" GALVANIZED COUPLINGS	73	20
GALCPLG2-1/2	2-1/2" GALVANIZED COUPLINGS	179	12
GALCPLG3	3" GALVANIZED COUPLINGS	221	12
GALCPLG3-1/2	3-1/2" GALVANIZED COUPLINGS	355	12
GALCPLG4	4" GALVANIZED COUPLINGS	313	12
GALCPLG5	5" GALVANIZED COUPLINGS	432	BLK
GALCPLG6	6" GALVANIZED COUPLINGS	730	BLK

UL Listed and Labeled

### Rigid Conduit Standard Radius Elbows

Catalog Number	Description	Weight Per 100 Pieces (lbs)	Standard Carton	Radius
GALELB1/2X90	1/2X90 GALVANIZED ELBOWS	75	50	4.25"
GALELB3/4X90	3/4X90 GALVANIZED ELBOWS	109	50	4.50"
GALELB1X90	1X90 GALVANIZED ELBOWS	189	25	5.75"
GALELB1-1/4X90	1-1/4X90 GALVANIZED ELBOWS	303	10	7.25"
GALELB1-1/2X90	1-1/2X90 GALVANIZED ELBOWS	416	15	8.25"
GALELB2X90	2X90 GALVANIZED ELBOWS	635	10	9.50"
GALELB2-1/2X90	2-1/2X90 GALVANIZED ELBOWS	1217	BLK	10.50"
GALELB3X90	3X90 GALVANIZED ELBOWS	1801	BLK	13.00"
GALELB3-1/2X90	3-1/2X90 GALVANIZED ELBOWS	2684	BLK	15.00"
GALELB4X90	4X90 GALVANIZED ELBOWS	3166	BLK	16.00"
GALELB5X90	5X90 GALVANIZED ELBOWS	6339	BLK	24.00"
GALELB6X90	6X90 GALVANIZED ELBOWS	10575	BLK	30.00"
GALELB1/2X45	1/2X45 GALVANIZED ELBOWS	64	50	4.25"
GALELB3/4X45	3/4X45 GALVANIZED ELBOWS	93	50	4.50"
GALELB1X45	1X45 GALVANIZED ELBOWS	161	25	5.75"
GALELB1-1/4X45	1-1/4X45 GALVANIZED ELBOWS	258	10	7.25"
GALELB1-1/2X45	1-1/2X45 GALVANIZED ELBOWS	354	15	8.25"
GALELB2X45	2X45 GALVANIZED ELBOWS	540	10	9.50"
GALELB2-1/2X45	2-1/2X45 GALVANIZED ELBOWS	1034	BLK	10.50"
GALELB3X45	3X45 GALVANIZED ELBOWS	1531	BLK	13.00"
GALELB3-1/2X45	3-1/2X45 GALVANIZED ELBOWS	2281	BLK	15.00"
GALELB4X45	4X45 GALVANIZED ELBOWS	2691	BLK	16.00"
GALELB5X45	5X45 GALVANIZED ELBOWS	5388	BLK	24.00"
GALELB6X45	6X45 GALVANIZED ELBOWS	8989	BLK	30.00"

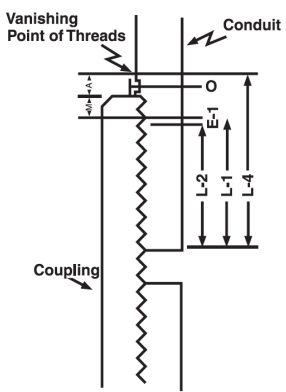
Weights shown are approximate for 90° elbows. To arrive at weights for 45° elbows deduct 15%. Sizes 2-1/2 " and larger shipped in palletized cartons or bulk, thread protectors each end and ECN/Korns identifying label.



### Conduit 90° Standard Radius Elbows

Nominal Size (in.)	Diameters		Unbent Length (in.)	Radii			Offset			Tangent (in.)	Steel Approx. Weight per 100 Pieces (lbs.)
	External (in.)	Internal (in.)		A (in.)	B (in.)	C (in.)	D (in.)	E (in.)	F (in.)		
1/2	.840	.622	11¼	3.83	4.25	4.67	6.08	6.50	6.92	2.25	75
3/4	1.050	.824	12½	3.98	4.50	5.03	6.73	7.25	7.78	2.75	111
1	1.315	1.049	14¾	5.09	5.75	6.41	8.00	8.625	9.285	2.875	195
1 1/4	1.660	1.380	17¾	6.42	7.25	8.08	9.607	10.437	11.267	3.187	320
1 1/2	1.900	1.610	19¾	7.30	8.25	9.20	10.675	11.625	12.575	3.375	423
2	2.375	2.067	22½	8.31	9.50	10.69	12.123	13.313	14.50	3.813	671
2 1/2	2.875	2.469	28	9.06	10.50	11.94	14.81	16.25	17.69	5.753	1,288
3	3.500	3.068	32	11.25	13.00	14.75	17.00	18.75	20.50	5.753	1,926
3 1/2	4.000	3.548	39½	13.00	15.00	17.00	20.97	22.97	24.97	7.96	2,853
4	4.500	4.026	39½	13.75	16.00	18.25	20.93	23.18	25.43	7.18	3,373
5	5.563	5.047	59½	21.22	24.00	26.78	32.12	34.90	37.68	10.90	7,388
6	6.625	6.065	76	26.68	30.00	33.31	40.13	43.44	46.75	14.44	12,287

All dimensions are approximate.



### Conduit Thread and Coupling Dimensions

Conduit		Threads					Coupling*		
Nominal Size	Threads Per Inch (No.)	Length from End of Pipe to Hand-Tight Plane (L-1)	Effective Length (L-2)	Total Length of Threads to Vanish Point (L-4)	Pitch Diameter at End of Thread 3/4" Taper per Ft.	Pitch Diameter at Hand-Tight Plane (E-1)	Length from Hand-Tight Plane to Face Coupling (M)	Dia. of Counter-sink (Q)	Hand-Tight Stand Off Basic Inches (A)
1/2	14	.5658	.5337	.7815	.7584	.7938	.1086	.840	1½
3/4	14	.5778	.5457	.7935	.9677	1.0038	.1086	1.050	1½
1	11-1/2	.7217	.6828	.9845	1.2136	1.2587	.1323	1.315	1½
1-1/4	11-1/2	.7457	.7068	1.0085	1.5571	1.6037	.1323	1.660	1½
1-1/2	11-1/2	.7624	.7235	1.0252	1.7961	1.8437	.1323	1.900	1½
2	11-1/2	.7954	.7565	1.0582	2.2690	2.3187	.1323	2.375	1½
2-1/2	8	1.1935	1.1375	1.5712	2.7195	2.7941	.1902	2.875	1½
3	8	1.2560	1.2000	1.6337	3.3406	3.4191	.1902	3.500	1½
3-1/2	8	1.3060	1.2500	1.6837	3.8375	3.9191	.1902	4.000	1½
4	8	1.3560	1.3000	1.7337	4.3344	4.4191	.1902	4.500	1½
5	8	1.4623	1.4063	1.8400	5.3907	5.4821	.1902	5.563	1½
6	8	1.5685	1.5125	1.9462	6.4461	6.5441	.1902	6.625	1½

\*Couplings are straight tapped.

Tolerance, thread length = ±1 thread. Plus or minus 1 turn is the maximum variation permitted from the gaging face of the working thread gages. This is equivalent to plus or minus 1 and 1/2 turns from basic dimensions, since a variation of plus or minus 1/2 turn from basic dimensions is permitted in working gages.

**Galvanized Special Radius Elbows (Factory Mandrel Tested)**

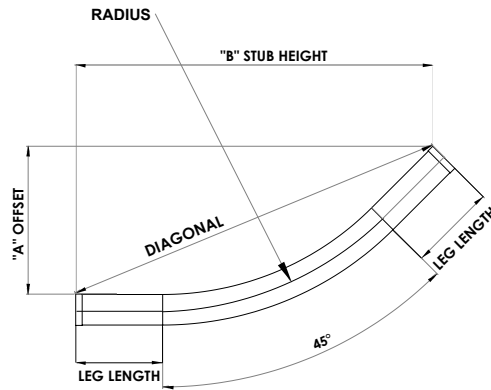
Catalog Number	Description	App Weight (lbs)	Standard Carton
GALELB3/4X90X12	3/4X90X12 LG RADIUS GALVANIZED ELBOW	4	BLK
GALELB1X90X12	1X90X12 LG RADIUS GALVANIZED ELBOW	4	BLK
GALELB1-1/4X90X12	1-1/4X90X12 LG RADIUS GALVANIZED ELBOW	4	BLK
GALELB1-1/2X90X12	1-1/2X90X12 LG RADIUS GALVANIZED ELBOW	7	BLK
GALELB2X90X12	2X90X12 LG RADIUS GALVANIZED ELBOW	9	BLK
GALELB1-1/4X90X15	1-1/4X90X15 LG RADIUS GALVANIZED ELBOW	7	BLK
GALELB1-1/2X90X15	1-1/2X90X15 LG RADIUS GALVANIZED ELBOW	8	BLK
GALELB2X90X15	2X90X15 LG RADIUS GALVANIZED ELBOW	11	BLK
GALELB1X90X18	1X90X18 LG RADIUS GALVANIZED ELBOW	6	BLK
GALELB1-1/4X90X18	1-1/4X90X18 LG RADIUS GALVANIZED ELBOW	8	BLK
GALELB1-1/2X90X18	1-1/2X90X18 LG RADIUS GALVANIZED ELBOW	10	BLK
GALELB2X90X18	2X90X18 LG RADIUS GALVANIZED ELBOW	13	BLK
GALELB2-1/2X90X18	2-1/2X90X18LG RADIUS GALVANIZED ELBOW	21	BLK
GALELB3X90X18	3X90X18 LG RADIUS GALVANIZED ELBOW	25	BLK
GALELB3-1/2X90X18	3-1/2X90X18 LG RADIUS GALVANIZED ELBOW	34	BLK
GALELB4X90X18	4X90X18 LG RADIUS GALVANIZED ELBOW	38	BLK
GALELB1X90X24	1X90X24 LG RADIUS GALVANIZED ELBOW	8	BLK
GALELB1-1/4X90X24	1-1/4X90X24 LG RADIUS GALVANIZED ELBOW	11	BLK
GALELB1-1/2X90X24	1 X90X24 LG RADIUS GALVANIZED ELBOW	13	BLK
GALELB2X90X24	2X90X24 LG RADIUS GALVANIZED ELBOW	17	BLK
GALELB2-1/2X90X24	2-1/2X90X24 LG RADIUS GALVANIZED ELBOW	27	BLK
GALELB3X90X24	3X90X24 LG RADIUS GALVANIZED ELBOW	35	BLK
GALELB4X90X24	4X90X24 LG RADIUS GALVANIZED ELBOW	45	BLK
GALELB1X90X30	1X90X30 LG RADIUS GALVANIZED ELBOW	9	BLK
GALELB1-1/4X90X30	1-1/4X90X30 LG RADIUS GALVANIZED ELBOW	13	BLK
GALELB1-1/2X90X30	1-1/2X90X30 LG RADIUS GALVANIZED ELBOW	15	BLK
GALELB2X90X30	2X90X30 LG RADIUS GALVANIZED ELBOW	20	BLK
GALELB2-1/2X90X30	2-1/2X90X30 LG RADIUS GALVANIZED ELBOW	32	BLK
GALELB3X90X30	3X90X30 LG RADIUS GALVANIZED ELBOW	42	BLK
GALELB4X90X30	4X90X30 LG RADIUS GALVANIZED ELBOW	55	BLK
GALELB5X90X30	5X90X30 LG RADIUS GALVANIZED ELBOW	77	BLK
GALELB1X90X36	1X90X36 LG RADIUS GALVANIZED ELBOW	11	BLK
GALELB1-1/4X90X36	1-1/4X90X36 LG RADIUS GALVANIZED ELBOW	15	BLK
GALELB1-1/2X90X36	1-1/2X90X36 LG RADIUS GALVANIZED ELBOW	18	BLK
GALELB2X90X36	2X90X36 LG RADIUS GALVANIZED ELBOW	24	BLK
GALELB2-1/2X90X36	2-1/2X90X36 LG RADIUS GALVANIZED ELBOW	38	BLK
GALELB3X90X36	3X90X36 LG RADIUS GALVANIZED ELBOW	49	BLK
GALELB3-1/2X90X36	3-1/2X90X36 LG RADIUS GALVANIZED ELBOW	58	BLK
GALELB4X90X36	4X90X36 LG RADIUS GALVANIZED ELBOW	65	BLK
GALELB5X90X36	5X90X36 LG RADIUS GALVANIZED ELBOW	91	BLK
GALELB6X90X36	6X90X36 LG RADIUS GALVANIZED ELBOW	123	BLK

**Galvanized Special Radius Elbows (Factory Mandrel Tested)**

Catalog Number	Description	App Weight (lbs)	Standard Carton
GALELB4X90X42	4X90X42 LG RADIUS GALVANIZED ELBOW	70	BLK
GALELB5X90X42	5X90X42 LG RADIUS GALVANIZED ELBOW	98	BLK
GALELB1X90X48	1X90X48 LG RADIUS GALVANIZED ELBOW	14	BLK
GALELB1-1/4X90X48	1-1/4X90X48 LG RADIUS GALVANIZED ELBOW	18	BLK
GALELB1-1/2X90X48	1-1/2X90X48 LG RADIUS GALVANIZED ELBOW	22	BLK
GALELB2X90X48	2X90X48 LG RADIUS GALVANIZED ELBOW	29	BLK
GALELB2-1/2X90X48	2-1/2X90X48 LG RADIUS GALVANIZED ELBOW	46	BLK
GALELB3X90X48	3X90X48 LG RADIUS GALVANIZED ELBOW	61	BLK
GALELB3-1/2X90X48	3-1/2X90X48 LG RADIUS GALVANIZED ELBOW	72	BLK
GALELB4X90X48	4X90X48 LG RADIUS GALVANIZED ELBOW	80	BLK
GALELB5X90X48	5X90X48 LG RADIUS GALVANIZED ELBOW	112	BLK
GALELB6X90X48	6X90X48 LG RADIUS GALVANIZED ELBOW	152	BLK
GALELB4X90X60	4X90X60 LG RADIUS GALVANIZED ELBOW	96	BLK
GALELB5X90X60	5X90X60 LG RADIUS GALVANIZED ELBOW	132	BLK
GALELB6X90X60	6X90X60 LG RADIUS GALVANIZED ELBOW	175	BLK

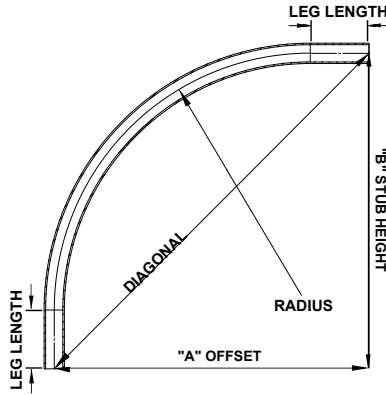
Weights shown are approximate for 90° elbows. To arrive at weights for 60° elbows deduct 10%, for 45° elbows deduct 15% and 30° elbows deduct 20%. Galvanized special radius elbows are available in 45°, 60° and 30°. **All special radius elbows are noncancelable and nonreturnable.**





### Galvanized Special Radius Elbows • 45 Degrees

Size	Radius	12	15	18	24	30	36	42	48	60
1	LEG LENGTH	9	9	10	11	11	11	12	11-15/16	
	UNBENT LENGTH	27-7/16	29-3/4	34-1/8	40-7/8	45-9/16	50-1/4	56-15/16	61-5/8	
	DIAGONAL	25-13/16	28-1/16	32-1/4	38-3/4	43-5/16	47-7/8	54-1/4	58-7/8	
	"A" OFFSET	9-7/8	10-3/4	12-5/16	14-13/16	16-9/16	18-5/16	20-3/4	22-1/2	
	"B" STUB HEIGHT	23-7/8	25-15/16	29-13/16	35-3/4	40	44-3/16	50-1/8	54-3/8	
1¼	LEG LENGTH	9	9	10	11	11	11	12	11-15/16	
	UNBENT LENGTH	27-7/16	29-3/4	34-1/8	40-7/8	45-9/16	50-1/4	56-15/16	61-5/8	
	DIAGONAL	25-13/16	28-1/16	32-1/4	38-3/4	43-5/16	47-7/8	54-1/4	58-7/8	
	"A" OFFSET	9-7/8	10-3/4	12-5/16	14-13/16	16-9/16	18-5/16	20-3/4	22-1/2	
	"B" STUB HEIGHT	23-7/8	25-15/16	29-13/16	35-3/4	40	44-3/16	50-1/8	54-3/8	
1½	LEG LENGTH	9	9	10	11	11	11	12	11-15/16	
	UNBENT LENGTH	27-7/16	29-3/4	34-1/8	40-7/8	45-9/16	50-1/4	56-15/16	61-5/8	
	DIAGONAL	25-13/16	28-1/16	32-1/4	38-3/4	43-5/16	47-7/8	54-1/4	58-7/8	
	"A" OFFSET	9-7/8	10-3/4	12-5/16	14-13/16	16-9/16	18-5/16	20-3/4	22-1/2	
	"B" STUB HEIGHT	23-7/8	25-15/16	29-13/16	35-3/4	40	44-3/16	50-1/8	54-3/8	
2	LEG LENGTH	9	9	10	11	11	11	12	11-15/16	
	UNBENT LENGTH	27-7/16	29-3/4	34-1/8	40-7/8	45-9/16	50-1/4	56-15/16	61-5/8	
	DIAGONAL	25-13/16	28-1/16	32-1/4	38-3/4	43-5/16	47-7/8	54-1/4	58-7/8	
	"A" OFFSET	9-7/8	10-3/4	12-5/16	14-13/16	16-9/16	18-5/16	20-3/4	22-1/2	
	"B" STUB HEIGHT	23-7/8	25-15/16	29-13/16	35-3/4	40	44-3/16	50-1/8	54-3/8	
2½	LEG LENGTH	9	9	10	11	11	11	12	11-15/16	
	UNBENT LENGTH	27-7/16	29-3/4	34-1/8	40-7/8	45-9/16	50-1/4	56-15/16	61-5/8	
	DIAGONAL	25-13/16	28-1/16	32-1/4	38-3/4	43-5/16	47-7/8	54-1/4	58-7/8	
	"A" OFFSET	9-7/8	10-3/4	12-5/16	14-13/16	16-9/16	18-5/16	20-3/4	22-1/2	
	"B" STUB HEIGHT	23-7/8	25-15/16	29-13/16	35-3/4	40	44-3/16	50-1/8	54-3/8	
3	LEG LENGTH		9	10	11	11	11	12	11-15/16	
	UNBENT LENGTH		29-3/4	34-1/8	40-7/8	45-9/16	50-1/4	56-15/16	61-5/8	
	DIAGONAL		28-1/16	32-1/4	38-3/4	43-5/16	47-7/8	54-1/4	58-7/8	
	"A" OFFSET		10-3/4	12-5/16	14-13/16	16-9/16	18-5/16	20-3/4	22-1/2	
	"B" STUB HEIGHT		25-15/16	29-13/16	35-3/4	40	44-3/16	50-1/8	54-3/8	
3½	LEG LENGTH			10	11	11	11	12	11-15/16	
	UNBENT LENGTH			34-1/8	40-7/8	45-9/16	50-1/4	56-15/16	61-5/8	
	DIAGONAL			32-1/4	38-3/4	43-5/16	47-7/8	54-1/4	58-7/8	
	"A" OFFSET			12-5/16	14-13/16	16-9/16	18-5/16	20-3/4	22-1/2	
	"B" STUB HEIGHT			29-13/16	35-3/4	40	44-3/16	50-1/8	54-3/8	
4	LEG LENGTH			10	11	11	11	12	11-15/16	
	UNBENT LENGTH			34-1/8	40-7/8	45-9/16	50-1/4	56-15/16	61-5/8	
	DIAGONAL			32-1/4	38-3/4	43-5/16	47-7/8	54-1/4	58-7/8	
	"A" OFFSET			12-5/16	14-13/16	16-9/16	18-5/16	20-3/4	22-1/2	
	"B" STUB HEIGHT			29-13/16	35-3/4	40	44-3/16	50-1/8	54-3/8	
5	LEG LENGTH				11	11	11	12	11-15/16	12
	UNBENT LENGTH				45-9/16	50-1/4	56-15/16	61-5/8	61-5/8	71-1/8
	DIAGONAL				43-5/16	47-7/8	54-1/4	58-7/8	58-7/8	68-1/8
	"A" OFFSET				16-9/16	18-5/16	20-3/4	22-1/2	22-1/2	26-1/16
	"B" STUB HEIGHT				40	44-3/16	50-1/8	54-3/8	54-3/8	62-15/16
6	LEG LENGTH					11	11	12	11-15/16	12
	UNBENT LENGTH					50-1/4	56-15/16	61-5/8	61-5/8	71-1/8
	DIAGONAL					47-7/8	54-1/4	58-7/8	58-7/8	68-1/8
	"A" OFFSET					18-5/16	20-3/4	22-1/2	22-1/2	26-1/16
	"B" STUB HEIGHT					44-3/16	50-1/8	54-3/8	54-3/8	62-15/16



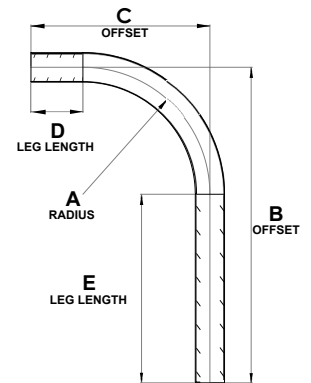
### Galvanized Special Radius Elbows • 90 Degrees

Size	Radius	12	15	18	24	30	36	42	48	60
1	LEG LENGTH	8-9/16	9-1/4	9-7/8	10-5/8	10-15/16	10-3/4	12	13-5/16	
	UNBENT LENGTH	36	42	48	59	69	78	90	102	
	DIAGONAL	29-1/8	34-1/4	39-7/16	49	57-7/8	66-1/16	76-3/8	86-11/16	
	"A" OFFSET	20-9/16	24-1/4	27-7/8	34-5/8	40-15/16	46-3/4	54	61-5/16	
	"B" STUB HEIGHT	20-9/16	24-1/4	27-7/8	34-5/8	40-15/16	46-3/4	54	61-5/16	
1-1/4	LEG LENGTH	8-9/16	9-1/4	9-7/8	10-5/8	10-15/16	10-3/4	12	13-5/16	
	UNBENT LENGTH	36	42	48	59	69	78	90	102	
	DIAGONAL	29-1/8	34-1/4	39-7/16	49	57-7/8	66-1/16	76-3/8	86-11/16	
	"A" OFFSET	20-9/16	24-1/4	27-7/8	34-5/8	40-15/16	46-3/4	54	61-5/16	
	"B" STUB HEIGHT	20-9/16	24-1/4	27-7/8	34-5/8	40-15/16	46-3/4	54	61-5/16	
1-1/2	LEG LENGTH	8-9/16	9-1/4	9-7/8	10-5/8	10-15/16	10-3/4	12	13-5/16	
	UNBENT LENGTH	36	42	48	59	69	78	90	102	
	DIAGONAL	29-1/8	34-1/4	39-7/16	49	57-7/8	66-1/16	76-3/8	86-11/16	
	"A" OFFSET	20-9/16	24-1/4	27-7/8	34-5/8	40-15/16	46-3/4	54	61-5/16	
	"B" STUB HEIGHT	20-9/16	24-1/4	27-7/8	34-5/8	40-15/16	46-3/4	54	61-5/16	
2	LEG LENGTH	8-9/16	9-1/4	9-7/8	10-5/8	10-15/16	10-3/4	12	13-5/16	
	UNBENT LENGTH	36	42	48	59	69	78	90	102	
	DIAGONAL	29-1/8	34-1/4	39-7/16	49	57-7/8	66-1/16	76-3/8	86-11/16	
	"A" OFFSET	20-9/16	24-1/4	27-7/8	34-5/8	40-15/16	46-3/4	54	61-5/16	
	"B" STUB HEIGHT	20-9/16	24-1/4	27-7/8	34-5/8	40-15/16	46-3/4	54	61-5/16	
2-1/2	LEG LENGTH	8-9/16	9-1/4	9-7/8	10-5/8	10-15/16	10-3/4	12	13-5/16	
	UNBENT LENGTH	36	42	48	59	69	78	90	102	
	DIAGONAL	29-1/8	34-1/4	39-7/16	49	57-7/8	66-1/16	76-3/8	86-11/16	
	"A" OFFSET	20-9/16	24-1/4	27-7/8	34-5/8	40-15/16	46-3/4	54	61-5/16	
	"B" STUB HEIGHT	20-9/16	24-1/4	27-7/8	34-5/8	40-15/16	46-3/4	54	61-5/16	
3	LEG LENGTH		9-1/4	9-7/8	10-5/8	10-15/16	10-3/4	12	13-5/16	
	UNBENT LENGTH		42	48	59	69	78	90	102	
	DIAGONAL		34-1/4	39-7/16	49	57-7/8	66-1/16	76-3/8	86-11/16	
	"A" OFFSET		24-1/4	27-7/8	34-5/8	40-15/16	46-3/4	54	61-5/16	
	"B" STUB HEIGHT		24-1/4	27-7/8	34-5/8	40-15/16	46-3/4	54	61-5/16	
3-1/2	LEG LENGTH			9-7/8	10-5/8	10-15/16	10-3/4	12	13-5/16	
	UNBENT LENGTH			48	59	69	78	90	102	
	DIAGONAL			39-7/16	49	57-7/8	66-1/16	76-3/8	86-11/16	
	"A" OFFSET			27-7/8	34-5/8	40-15/16	46-3/4	54	61-5/16	
	"B" STUB HEIGHT			27-7/8	34-5/8	40-15/16	46-3/4	54	61-5/16	
4	LEG LENGTH			9-7/8	10-5/8	10-15/16	10-3/4	12	13-5/16	
	UNBENT LENGTH			48	59	69	78	90	102	
	DIAGONAL			39-7/16	49	57-7/8	66-1/16	76-3/8	86-11/16	
	"A" OFFSET			27-7/8	34-5/8	40-15/16	46-3/4	54	61-5/16	
	"B" STUB HEIGHT			27-7/8	34-5/8	40-15/16	46-3/4	54	61-5/16	
5	LEG LENGTH					10-15/16	10-3/4	12	13-5/16	11-7/8
	UNBENT LENGTH					69	78	90	102	118
	DIAGONAL					57-7/8	66-1/16	76-3/8	86-11/16	101-1/2
	"A" OFFSET					40-15/16	46-3/4	54	61-5/16	71-7/8
	"B" STUB HEIGHT					40-15/16	46-3/4	54	61-5/16	71-7/8
6	LEG LENGTH						10-3/4	12	13-5/16	11-7/8
	UNBENT LENGTH						78	90	102	118
	DIAGONAL						66-1/16	76-3/8	86-11/16	101-1/2
	"A" OFFSET						46-3/4	54	61-5/16	71-7/8
	"B" STUB HEIGHT						46-3/4	54	61-5/16	71-7/8

### Galvanized Yard Light Elbows

Catalog Number	Description	Weight Per 100 Pieces (lbs)	Standard Carton
GALELB-YD-1/2X90	1/2" HOT DIP GALVANIZED YARD LIGHT ELBOWS	145	25
GALELB-YD-3/4X90	3/4" HOT DIP GALVANIZED YARD LIGHT ELBOWS	197	25
GALELB-YD-1X90	1" HOT DIP GALVANIZED YARD LIGHT ELBOWS	316	25
GALELB-YD-1-1/4X90	1-1/4" HOT DIP GALVANIZED YARD LIGHT ELBOWS	495	10
GALELB-YD-1-1/2X90	1-1/2" HOT DIP GALVANIZED YARD LIGHT ELBOWS	615	BLK
GALELB-YD-2X90	2" HOT DIP GALVANIZED YARD LIGHT ELBOWS	975	BLK
GALELB-YD-2-1/2X90	2-1/2" HOT DIP GALVANIZED YARD LIGHT ELBOWS	1590	BLK
GALELB-YD-3X90	3" HOT DIP GALVANIZED YARD LIGHT ELBOWS	2380	BLK
GALELB-YD-3-1/2X90	3-1/2" HOT DIP GALVANIZED YARD LIGHT ELBOWS	3250	BLK
GALELB-YD-4X90	4" HOT DIP GALVANIZED YARD LIGHT ELBOWS	4030	BLK

Nominal Size	A	B	C	D	E
1/2"	4"	18"	6-3/16"	2-3/16"	14"
3/4"	4-1/2"	18"	6-3/4"	2-1/4"	13-1/2"
1"	5-3/4"	18"	8-5/8"	2-7/8"	12-1/4"
1-1/4"	7-1/4"	19-1/4"	10-1/4"	3-1/4"	12-1/4"
1-1/2"	8-1/4"	20-1/2"	11-5/8"	3-3/8"	12-1/4"
2"	9-1/2"	21-1/2"	14-1/2"	5"	12"
2-1/2"	10-1/2"	22-1/2"	16"	5-1/2"	12"
3"	13"	25"	19-1/4"	6-1/4"	12"
3-1/2"	15"	27"	22-3/4"	7-3/4"	12"
4"	16"	28"	24"	8"	12"



### Meter Risers

Catalog Number	Description
GALRISERST-TBE-2	2"X7' GALVANIZED RIGID, THREADED BOTH ENDS
GALRISERST-TOE-2	2"X7' GALVANIZED RIGID, THREADED ONE END
GALRISER45-TBE-2	2"X7' 45 DEGREE, GALVANIZED RIGID, THREADED BOTH ENDS
GALRISER45-TOE-2	2"X7' 45 DEGREE, GALVANIZED RIGID, THREADED ONE END
GALRISERMI-2	2"X7' OFFSET, GALVANIZED RIGID, THREADED BOTH ENDS

Yard light elbows and Meter risers are noncancelable and nonreturnable.

**Galvanized Conduit Nipples**

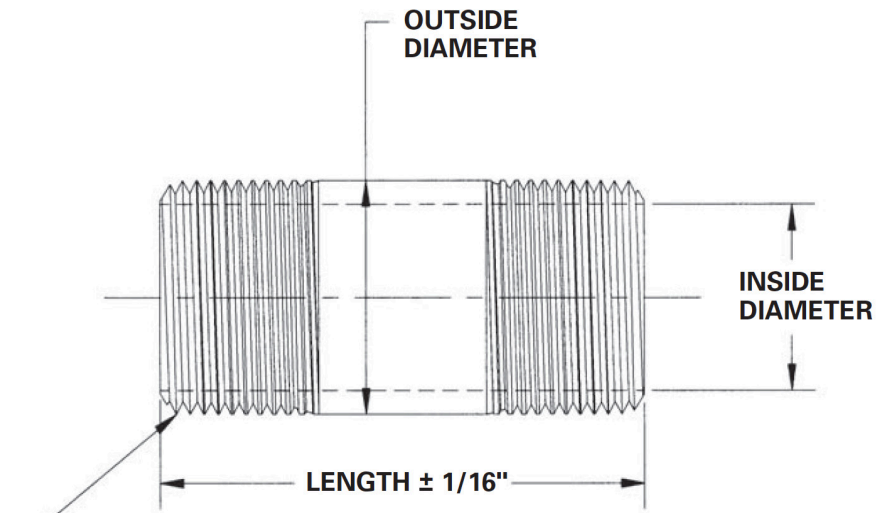
Catalog Number	Description	Weight Per 100 Pieces (lbs)	Standard Carton
GALNIP1/2XCL	1/2X1-1/8 CLOSE GALVANIZED NIPPLE	6	25
GALNIP3/4XCL	3/4X1-3/8 CLOSE GALVANIZED NIPPLE	9	25
GALNIP1XCL	1X1-1/2 CLOSE GALVANIZED NIPPLE	16	25
GALNIP1-1/4XCL	1-1/4X1-5/8 CLOSE GALVANIZED NIPPLE	22	25
GALNIP1-1/2XCL	1-1/2X1-3/4 CLOSE GALVANIZED NIPPLE	28	25
GALNIP2XCL	2X2 CLOSE GALVANIZED NIPPLE	44	25
GALNIP2-1/2XCL	2-1/2X2-1/2 CLOSE GALVANIZED NIPPLE	84	10
GALNIP3XCL	3X2-5/8 CLOSE GALVANIZED NIPPLE	118	10
GALNIP3-1/2XCL	3-1/2X2-3/4 CLOSE GALVANIZED NIPPLE	160	10
GALNIP4XCL	4X2-7/8 CLOSE GALVANIZED NIPPLE	180	10
GALNIP5XCL	5X3 CLOSE GALVANIZED NIPPLE	240	BLK
GALNIP6XCL	6X3-1/8 CLOSE GALVANIZED NIPPLE	350	BLK
GALNIP1/2X1-1/2	1/2X1-1/2 GALVANIZED NIPPLE	8	25
GALNIP3/4X1-1/2	3/4X1-1/2 GALVANIZED NIPPLE	10	25
GALNIP1/2X2	1/2X2 GALVANIZED NIPPLE	12	25
GALNIP3/4X2	3/4X2 GALVANIZED NIPPLE	14	25
GALNIP1X2	1X2 GALVANIZED NIPPLE	22	25
GALNIP1-1/4X2	1-1/4X2 GALVANIZED NIPPLE	28	25
GALNIP1-1/2X2	1-1/2X2 GALVANIZED NIPPLE	34	25
GALNIP1/2X2-1/2	1/2X2-1/2 GALVANIZED NIPPLE	15	25
GALNIP3/4X2-1/2	3/4X2-1/2 GALVANIZED NIPPLE	19	25
GALNIP1X2-1/2	1X2-1/2 GALVANIZED NIPPLE	28	25
GALNIP1-1/4X2-1/2	1-1/4X2-1/2 GALVANIZED NIPPLE	37	25
GALNIP1-1/2X2-1/2	1-1/2X2-1/2 GALVANIZED NIPPLE	44	25
GALNIP2X2-1/2	2X2-1/2 GALVANIZED NIPPLE	59	25
GALNIP1/2X3	1/2X3 GALVANIZED NIPPLE	19	25
GALNIP3/4X3	3/4X3 GALVANIZED NIPPLE	24	25
GALNIP1X3	1X3 GALVANIZED NIPPLE	36	25
GALNIP1-1/4X3	1-1/4X3 GALVANIZED NIPPLE	47	25
GALNIP1-1/2X3	1-1/2X3 GALVANIZED NIPPLE	56	25
GALNIP2X3	2X3 GALVANIZED NIPPLE	72	25
GALNIP2-1/2X3	2-1/2X3 GALVANIZED NIPPLE	100	10
GALNIP3X3	3X3 GALVANIZED NIPPLE	130	10
GALNIP1/2X3-1/2	1/2X3 /12 GALVANIZED NIPPLE	22	25
GALNIP3/4X3-1/2	3/4X3-1/2 GALVANIZED NIPPLE	28	25
GALNIP1X3-1/2	1X3-1/2 GALVANIZED NIPPLE	43	25
GALNIP1-1/4X3-1/2	1-1/4X3-1/2 GALVANIZED NIPPLE	55	25
GALNIP1-1/2X3-1/2	1-1/2X3-1/2 GALVANIZED NIPPLE	68	25
GALNIP2X3-1/2	2X3-1/2 GALVANIZED NIPPLE	88	25
GALNIP2-1/2X3-1/2	2-1/2X3-1/2 GALVANIZED NIPPLE	120	10
GALNIP3X3-1/2	3X3-1/2 GALVANIZED NIPPLE	157	10

**Galvanized Conduit Nipples**

Catalog Number	Description	Weight Per 100 Pieces (lbs)	Standard Carton
GALNIP1/2X4	1/2X4 GALVANIZED NIPPLE	26	25
GALNIP3/4X4	3/4X4 GALVANIZED NIPPLE	34	25
GALNIP1X4	1X4 GALVANIZED NIPPLE	49	25
GALNIP1-1/4X4	1-1/4X4 GALVANIZED NIPPLE	66	25
GALNIP1-1/2X4	1-1/2X4 GALVANIZED NIPPLE	80	25
GALNIP2X4	2X4 GALVANIZED NIPPLE	103	25
GALNIP2-1/2X4	2-1/2X4 GALVANIZED NIPPLE	150	10
GALNIP3X4	3X4 GALVANIZED NIPPLE	200	10
GALNIP3-1/2X4	3-1/2X4 GALVANIZED NIPPLE	240	5
GALNIP4X4	4X4 GALVANIZED NIPPLE	285	6
GALNIP1/2X5	1/2X5 GALVANIZED NIPPLE	33	25
GALNIP3/4X5	3/4X5 GALVANIZED NIPPLE	43	25
GALNIP1X5	1X5 GALVANIZED NIPPLE	64	25
GALNIP1-1/4X5	1-1/4X5 GALVANIZED NIPPLE	84	25
GALNIP1-1/2X5	1-1/2X5 GALVANIZED NIPPLE	103	25
GALNIP2X5	2X5 GALVANIZED NIPPLE	132	25
GALNIP2-1/2X5	2-1/2X5 GALVANIZED NIPPLE	197	10
GALNIP3X5	3X5 GALVANIZED NIPPLE	260	10
GALNIP3-1/2X5	3-1/2X5 GALVANIZED NIPPLE	320	5
GALNIP4X5	4X5 GALVANIZED NIPPLE	380	6
GALNIP5X5	5X5 GALVANIZED NIPPLE	480	BLK
GALNIP6X5	6X5 GALVANIZED NIPPLE	660	BLK
GALNIP1/2X6	1/2X6 GALVANIZED NIPPLE	40	25
GALNIP3/4X6	3/4X6 GALVANIZED NIPPLE	52	25
GALNIP1X6	1X6 GALVANIZED NIPPLE	78	25
GALNIP1-1/4X6	1-1/4X6 GALVANIZED NIPPLE	100	25
GALNIP1-1/2X6	1-1/2X6 GALVANIZED NIPPLE	122	25
GALNIP2X6	2X6 GALVANIZED NIPPLE	160	25
GALNIP2-1/2X6	2-1/2X6 GALVANIZED NIPPLE	240	10
GALNIP3X6	3X6 GALVANIZED NIPPLE	300	10
GALNIP3-1/2X6	3-1/2X6 GALVANIZED NIPPLE	373	5
GALNIP4X6	4X6 GALVANIZED NIPPLE	440	5
GALNIP5X6	5X6 GALVANIZED NIPPLE	600	BLK
GALNIP6X6	6X6 GALVANIZED NIPPLE	820	BLK
GALNIP1/2X8	1/2X8 GALVANIZED NIPPLE	54	25
GALNIP3/4X8	3/4X8 GALVANIZED NIPPLE	73	25
GALNIP1X8	1X8 GALVANIZED NIPPLE	109	25
GALNIP1-1/4X8	1-1/4X8 GALVANIZED NIPPLE	136	10
GALNIP1-1/2X8	1-1/2X8 GALVANIZED NIPPLE	170	10
GALNIP2X8	2X8 GALVANIZED NIPPLE	220	10
GALNIP2-1/2X8	2-1/2X8 GALVANIZED NIPPLE	329	5
GALNIP3X8	3X8 GALVANIZED NIPPLE	411	5
GALNIP3-1/2X8	3-1/2X8 GALVANIZED NIPPLE	510	5
GALNIP4X8	4X8 GALVANIZED NIPPLE	600	3
GALNIP5X8	5X8 GALVANIZED NIPPLE	825	BLK
GALNIP6X8	6X8 GALVANIZED NIPPLE	1125	BLK

**Galvanized Conduit Nipples**

Catalog Number	Description	Weight Per 100 Pieces (lbs)	Standard Carton
GALNIP1/2X10	1/2X10 GALVANIZED NIPPLE	68	25
GALNIP3/4X10	3/4X10 GALVANIZED NIPPLE	89	25
GALNIP1X10	1X10 GALVANIZED NIPPLE	138	25
GALNIP1-1/4X10	1-1/4X10 GALVANIZED NIPPLE	176	10
GALNIP1-1/2X10	1-1/2X10 GALVANIZED NIPPLE	216	10
GALNIP2X10	2X10 GALVANIZED NIPPLE	285	10
GALNIP2-1/2X10	2-1/2X10 GALVANIZED NIPPLE	422	5
GALNIP3X10	3X10 GALVANIZED NIPPLE	528	5
GALNIP3-1/2X10	3-1/2X10 GALVANIZED NIPPLE	655	4
GALNIP4X10	4X10 GALVANIZED NIPPLE	775	4
GALNIP5X10	5X10 GALVANIZED NIPPLE	1055	BLK
GALNIP6X10	6X10 GALVANIZED NIPPLE	1440	BLK
GALNIP1/2X12	1/2X12 GALVANIZED NIPPLE	82	25
GALNIP3/4X12	3/4X12 GALVANIZED NIPPLE	109	25
GALNIP1X12	1X12 GALVANIZED NIPPLE	166	25
GALNIP1-1/4X12	1-1/4X12 GALVANIZED NIPPLE	216	10
GALNIP1-1/2X12	1-1/2X12 GALVANIZED NIPPLE	260	10
GALNIP2X12	2X12 GALVANIZED NIPPLE	335	10
GALNIP2-1/2X12	2-1/2X12 GALVANIZED NIPPLE	505	5
GALNIP3X12	3X12 GALVANIZED NIPPLE	630	5
GALNIP3-1/2X12	3-1/2X12 GALVANIZED NIPPLE	785	4
GALNIP4X12	4X12 GALVANIZED NIPPLE	925	4
GALNIP5X12	5X12 GALVANIZED NIPPLE	1260	BLK
GALNIP6X12	6X12 GALVANIZED NIPPLE	1720	BLK



**STANDARD NPT TAPERED PIPE THREADS  
AS PER ANSI/ASME B1.20.1 SPECIFICATION.**

**Material**  
Rigid Steel Conduit (UL6)  
Aluminum Conduit (UL6A)

**Applicable Specification**  
Underwriters Laboratories  
• UL 6 for Rigid  
• UL 6A for Aluminum

**Rigid Conduit Nipples • Type - Rigid Steel and Aluminum**

Pipe Size (in.)	Pipe O.D. (in.)	Length Close (in.)	Pipe Nipple Lengths															
1/2	0.84	1-1/8	1-1/2	2	2-1/2	3	3-1/2	4	4-1/2	5	5-1/2	6	7	8	9	10	11	12
3/4	1.05	1-3/8	1-1/2	2	2-1/2	3	3-1/2	4	4-1/2	5	5-1/2	6	7	8	9	10	11	12
1	1.315	1-1/2	2	2-1/2	3	3-1/2	4	4-1/2	5	5-1/2	6	7	8	9	10	11	12	
1-1/4	1.66	1-5/8	2	2-1/2	3	3-1/2	4	4-1/2	5	5-1/2	6	7	8	9	10	11	12	
1-1/2	1.9	1-3/4	2	2-1/2	3	3-1/2	4	4-1/2	5	5-1/2	6	7	8	9	10	11	12	
2	2.375	2	2-1/2	3	3-1/2	4	4-1/2	5	5-1/2	6	7	8	9	10	11	12		
2-1/2	2.875	2-1/2	3	3-1/2	4	4-1/2	5	5-1/2	6	7	8	9	10	11	12			
3	3.5	2-5/8	3	3-1/2	4	4-1/2	5	5-1/2	6	7	8	9	10	11	12			
3-1/2	4	2-3/4	4	4-1/2	5	5-1/2	6	7	8	9	10	11	12					
4	4.5	2-7/8	4	4-1/2	5	5-1/2	6	7	8	9	10	11	12					
5	5.563	3	4-1/2	5	5-1/2	6	7	8	9	10	11	12						
6	6.625	3-1/8	4-1/2	5	5-1/2	6	7	8	9	10	11	12						

### EMT Standard Radius Elbows

Catalog Number	Description	Weight Per 100 Pieces (lbs)	Standard Carton
EMTELB1/2X90	1/2X90 EMT ELBOW	28	50
EMTELB3/4X90	3/4X90 EMT ELBOW	46	50
EMTELB1X90	1X 90 EMT ELBOW	86	25
EMTELB1-1/4X90	1-1/4X90 EMT ELBOW	148	25
EMTELB1-1/2X90	1-1/2X90 EMT ELBOW	198	15
EMTELB2X90	2X90 EMT ELBOW	286	10
EMTELB2-1/2X90	2-1/2X90 EMT ELBOW	536	BLK
EMTELB3X90	3X90 EMT ELBOW	720	BLK
EMTELB3-1/2X90	3-1/2X90 EMT ELBOW	1080	BLK
EMTELB4X90	4X90 EMT ELBOW	1333	BLK
EMTELB1/2X45	1/2X45 EMT ELBOW	24	50
EMTELB3/4X45	3/4X45 EMT ELBOW	39	50
EMTELB1X45	1X 45 EMT ELBOW	73	25
EMTELB1-1/4X45	1-1/4X45 EMT ELBOW	126	25
EMTELB1-1/2X45	1-1/2X45 EMT ELBOW	168	15
EMTELB2X45	2X45 EMT ELBOW	243	10
EMTELB2-1/2X45	2-1/2X45 EMT ELBOW	456	BLK
EMTELB3X45	3X45 EMT ELBOW	612	BLK
EMTELB3-1/2X45	3-1/2X45 EMT ELBOW	918	BLK
EMTELB4X45	4X45 EMT ELBOW	1133	BLK

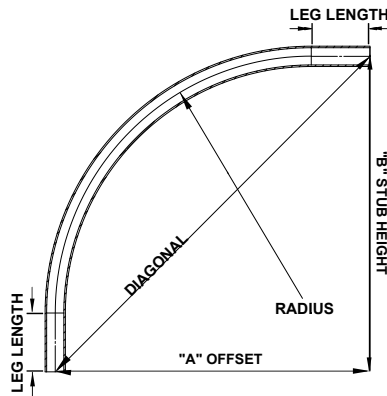
Weights shown are approximate for 90° elbows. To arrive at weights for 45° elbows deduct 15%. Sizes 2-1/2" and larger shipped in palletized cartons or bulk, with ECN-Korns identifying label.



### EMT Special Radius Elbows

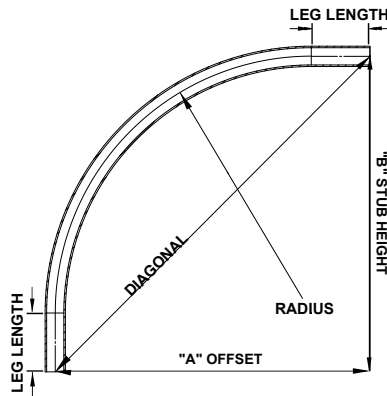
Catalog Number	Description	App Weight (lbs)	Standard Carton
EMTELB4X90X24	4X90X24 EMT ELBOW	17	BLK
EMTELB4X45X24	4X45X24 EMT ELBOW	14	BLK
EMTELB4X60X24	4X60X24 EMT ELBOW	15	BLK
EMTELB4X30X24	4X30X24 EMT ELBOW	14	BLK
EMTELB2X90X36	2X90X36 EMT ELBOW	9	BLK
EMTELB3X90X36	3X90X36 EMT ELBOW	16	BLK
EMTELB4X90X36	4X90X36 EMT ELBOW	24	BLK
EMTELB2X45X36	2X45X36 EMT ELBOW	8	BLK
EMTELB3X45X36	3X45X36 EMT ELBOW	14	BLK
EMTELB4X45X36	4X45X36 EMT ELBOW	20	BLK
EMTELB2X60X36	2X60X36 EMT ELBOW	8	BLK
EMTELB3X60X36	3X60X36 EMT ELBOW	14	BLK
EMTELB4X60X36	4X60X36 EMT ELBOW	22	BLK
EMTELB2X30X36	2X30X36 EMT ELBOW	7	BLK
EMTELB3X30X36	3X30X36 EMT ELBOW	13	BLK
EMTELB4X30X36	4X30X36 EMT ELBOW	19	BLK
EMTELB4X90X48	4X90X48 EMT ELBOW	31	BLK
EMTELB4X45X48	4X45X48 EMT ELBOW	26	BLK
EMTELB4X60X48	4X60X48 EMT ELBOW	28	BLK
EMTELB4X30X48	4X30X48 EMT ELBOW	25	BLK

All E.M.T. special radius elbows are noncancelable and nonreturnable.



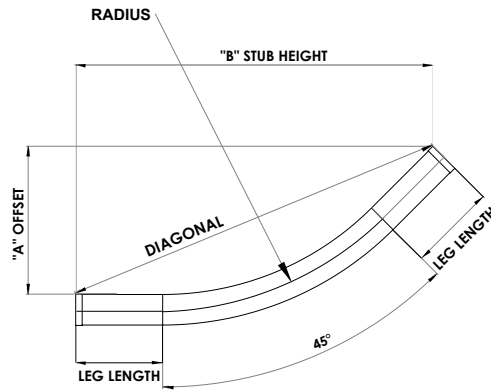
### Standard Radius Elbows • EMT

	Radius (in.)	4	4-1/2	5-3/4	7-1/4	8-1/4	9-1/2	10-1/2	13	15	16
Degree	Size	1/2	3/4	1	1-1/4	1-1/2	2	2-1/2	3	3-1/2	4
11-1/4	LEG LENGTH	2	2	2	2-3/4	3	4-1/4	5-1/4	5-7/8	6-3/4	7
	UNBENT LENGTH	4-13/16	4-7/8	5-1/8	6-7/8	8-1/4	10-3/8	12-9/16	14-3/16	16-3/8	17
	DIAGONAL	4-3/4	4-7/8	5-1/8	6-7/8	8-1/4	10-3/8	12-1/2	14-1/4	16-1/4	16-15/16
	"A" OFFSET	1/2	1/2	1/2	11/16	3/4	1	1-1/4	1-3/8	1-1/2	1-3/4
	"B" STUB HEIGHT	4-3/4	4-13/16	5	6-7/8	8-3/16	10-1/2	12-1/2	14-1/16	16-1/4	17
15	LEG LENGTH	2	2	2	2-3/4	3-1/4	4-5/16	5-1/4	5-7/8	6-3/4	7
	UNBENT LENGTH	5-1/16	5-3/16	5-1/2	7-1/4	8-5/8	11-1/16	13-11/32	15 1/8	17-15/32	18-5/32
	DIAGONAL	5	5-1/8	5	7-1/4	8-5/8	11	13-1/4	15	17-5/16	18
	"A" OFFSET	5/8	11/16	11/16	1	1 1/8	1-1/2	1-3/4	2	2-1/4	2-3/8
	"B" STUB HEIGHT	5	5-1/8	5-3/8	7-1/8	8-1/2	10-7/8	13-1/8	15	17-1/4	17-7/8
22-1/2	LEG LENGTH	2	2-1/16	2	2-3/4	3	4-1/4	5-1/4	5-7/8	6-3/4	7
	UNBENT LENGTH	5-21/32	5-27/32	6-11/32	8-5/16	9-27/32	12-5/16	14-23/32	16-13/16	19-13/32	20-1/4
	DIAGONAL	6	5-3/4	6-1/4	8-1/4	9-3/4	12-1/8	14-1/2	16-1/2	19-1/8	19-15/16
	"A" OFFSET	1 1/8	1	1	1-5/8	2	2-3/8	2-3/4	3-1/4	3-1/2	4
	"B" STUB HEIGHT	5-7/16	5-5/8	6	8	9-1/2	11-7/8	14-1/4	16-1/4	18-1/2	19-9/16
30	LEG LENGTH	2	2	2	2-3/4	3-5/16	4-1/4	5-1/4	5-7/8	6-3/4	7
	UNBENT LENGTH	6-3/16	6-7/16	7-1/8	9-1/4	10-29/32	13-9/16	16-3/32	18-1/2	21-3/8	22-11/32
	DIAGONAL	6	6-1/4	7	9	10-5/8	13-1/4	15-5/8	18	20-13/16	21-3/4
	"A" OFFSET	1-1/2	1-5/8	1-3/4	2-3/8	2-3/4	3-1/2	4	4-11/16	5-3/8	5-3/4
	"B" STUB HEIGHT	5-7/8	6	7	8-3/4	10-1/4	12-3/4	15-1/8	17-7/16	20-1/8	21
45	LEG LENGTH	2-1/16	2	2	2-5/8	3-1/2	4-1/4	5-1/8	5-7/8	6-3/4	7-1/4
	UNBENT LENGTH	7-1/4	7-1/2	8-1/2	11	13	16	18-1/2	22	25-1/4	27
	DIAGONAL	6-7/8	7-1/8	8-1/8	10-1/2	12-5/16	15-1/8	17-1/2	20-7/8	24	25-5/8
	"A" OFFSET	2-1/2	2-3/4	3	4	4-3/4	5-3/4	6-3/4	8	9-1/4	9-13/16
	"B" STUB HEIGHT	6-1/2	6-5/8	7-1/2	9-1/2	11-3/8	14	16-3/16	19-1/4	22-1/8	23-5/8
60	LEG LENGTH	2	2	2	2-3/4	3	4-1/4	5-1/4	5-7/8	6-3/4	7
	UNBENT LENGTH	8-3/16	8-3/4	10	13	15-1/8	18-7/16	21-19/32	25-5/16	29-7/32	30-23/32
	DIAGONAL	7-1/2	8	9	12	13-7/8	16-7/8	19-5/8	23-1/4	26-3/4	28
	"A" OFFSET	3-3/4	4	4-1/2	6	7	8-7/16	9-13/16	11-5/8	13-3/8	14
	"B" STUB HEIGHT	6-7/16	6-15/16	8	10-3/8	12	14-5/8	17-1/16	20	23-1/8	24-5/16
90	LEG LENGTH	2	2	2	2-3/4	3-1/4	4-5/16	5-1/4	5-13/16	6-3/4	6-15/16
	UNBENT LENGTH	10-5/16	11-1/16	13	16-3/4	19-1/2	23-1/2	27	32	37	39
	DIAGONAL	8-1/2	9	11	14	16-5/16	19-1/2	22-1/4	26-5/8	30-3/4	32-7/16
	"A" OFFSET	6	6-1/2	7-3/4	10	11-1/2	13-13/16	15-3/4	18-13/16	21-3/4	22-15/16
	"B" STUB HEIGHT	6	6-1/2	7-3/4	10	11-1/2	13-13/16	15-3/4	18-13/16	21-3/4	22-15/16



### EMT Special Radius Elbows • 90 Degrees

Size	Radius	12	15	18	24	30	36	42	48	60
<b>1</b>	LEG LENGTH	8-9/16		9-7/8	10-5/8	10-15/16	10-3/4	12	12-5/16	
	UNBENT LENGTH	36		48	59	69	78	90	100	
	DIAGONAL	29-1/8		39-7/16	49	57-7/8	66-1/6	76-3/8	85-5/16	
	"A" OFFSET	20-9/16		27-7/8	34-5/8	40-15/16	46-3/4	54	60-5/16	
	"B" STUB HEIGHT	20-9/16		27-7/8	34-5/8	40-15/16	46-3/4	54	60-5/16	
<b>1-1/4</b>	LEG LENGTH	8-9/16	9-1/4	9-7/8	10-5/8	10-15/16	10-3/4	12	12-5/16	
	UNBENT LENGTH	36	42	48	59	69	78	90	100	
	DIAGONAL	29-1/8	34-1/4	39-7/16	49	57-7/8	66-1/6	76-3/8	85-5/16	
	"A" OFFSET	20-9/16	24-1/4	27-7/8	34-5/8	40-15/16	46-3/4	54	60-5/16	
	"B" STUB HEIGHT	20-9/16	24-1/4	27-7/8	34-5/8	40-15/16	46-3/4	54	60-5/16	
<b>1-1/2</b>	LEG LENGTH	8-9/16	9-1/4	9-7/8	10-5/8	10-15/16	10-3/4	12	12-5/16	
	UNBENT LENGTH	36	42	48	59	69	78	90	100	
	DIAGONAL	29-1/8	34-1/4	39-7/16	49	57-7/8	66-1/6	76-3/8	85-5/16	
	"A" OFFSET	20-9/16	24-1/4	27-7/8	34-5/8	40-15/16	46-3/4	54	60-5/16	
	"B" STUB HEIGHT	20-9/16	24-1/4	27-7/8	34-5/8	40-15/16	46-3/4	54	60-5/16	
<b>2</b>	LEG LENGTH	8-9/16	9-1/4	9-7/8	10-5/8	10-15/16	10-3/4	12	12-5/16	
	UNBENT LENGTH	36	42	48	59	69	78	90	100	
	DIAGONAL	29-1/8	34-1/4	39-7/16	49	57-7/8	66-1/6	76-3/8	85-5/16	
	"A" OFFSET	20-9/16	24-1/4	27-7/8	34-5/8	40-15/16	46-3/4	54	60-5/16	
	"B" STUB HEIGHT	20-9/16	24-1/4	27-7/8	34-5/8	40-15/16	46-3/4	54	60-5/16	
<b>2-1/2</b>	LEG LENGTH	8-9/16	9-1/4	9-7/8	10-5/8	10-15/16	10-3/4	12	12-5/16	
	UNBENT LENGTH	36	42	48	59	69	78	90	100	
	DIAGONAL	29-1/8	34-1/4	39-7/16	49	57-7/8	66-1/6	76-3/8	85-5/16	
	"A" OFFSET	20-9/16	24-1/4	27-7/8	34-5/8	40-15/16	46-3/4	54	60-5/16	
	"B" STUB HEIGHT	20-9/16	24-1/4	27-7/8	34-5/8	40-15/16	46-3/4	54	60-5/16	
<b>3</b>	LEG LENGTH		9-1/4	9-7/8	10-5/8	10-15/16	10-3/4	12	12-5/16	
	UNBENT LENGTH		42	48	59	69	78	90	100	
	DIAGONAL		34-1/4	39-7/16	49	57-7/8	66-1/6	76-3/8	85-5/16	
	"A" OFFSET		24-1/4	27-7/8	34-5/8	40-15/16	46-3/4	54	60-5/16	
	"B" STUB HEIGHT		24-1/4	27-7/8	34-5/8	40-15/16	46-3/4	54	60-5/16	
<b>3-1/2</b>	LEG LENGTH			9-7/8	10-5/8	10-15/16	10-3/4	12	12-5/16	
	UNBENT LENGTH			48	59	69	78	90	100	
	DIAGONAL			39-7/16	49	57-7/8	66-1/6	76-3/8	85-5/16	
	"A" OFFSET			27-7/8	34-5/8	40-15/16	46-3/4	54	60-5/16	
	"B" STUB HEIGHT			27-7/8	34-5/8	40-15/16	46-3/4	54	60-5/16	
<b>4</b>	LEG LENGTH			9-7/8	10-5/8	10-15/16	10-3/4	12	12-5/16	11-7/8
	UNBENT LENGTH			48	59	69	78	90	100	118
	DIAGONAL			39-7/16	49	57-7/8	66-1/6	76-3/8	85-5/16	101-11/16
	"A" OFFSET			27-7/8	34-5/8	40-15/16	46-3/4	54	60-5/16	71-7/8
	"B" STUB HEIGHT			27-7/8	34-5/8	40-15/16	46-3/4	54	60-5/16	71-7/8
<b>5</b>	LEG LENGTH					10-15/16	10-3/4	12	12-5/16	11-7/8
	UNBENT LENGTH					69	78	90	100	118
	DIAGONAL					57-7/8	66-1/6	76-3/8	85-5/16	101-11/16
	"A" OFFSET					40-15/16	46-3/4	54	60-5/16	71-7/8
	"B" STUB HEIGHT					40-15/16	46-3/4	54	60-5/16	71-7/8
<b>6</b>	LEG LENGTH						10-3/4	12	12-5/16	11-7/8
	UNBENT LENGTH						78	90	100	118
	DIAGONAL						66-1/6	76-3/8	85-5/16	101-11/16
	"A" OFFSET						46-3/4	54	60-5/16	71-7/8
	"B" STUB HEIGHT						46-3/4	54	60-5/16	71-7/8



### EMT Special Radius Elbows • 45 Degrees

Size	Radius	12	15	18	24	30	36	42	48	60
1	LEG LENGTH	9		10	11	11	11	12	12	
	UNBENT LENGTH	27-7/16		34-1/8	40-7/8	45-9/16	50-1/4	56-15/16	61-5/8	
	DIAGONAL	25-13/16		32-1/4	38-3/4	43-5/16	47-7/8	54-1/4	58-7/8	
	"A" OFFSET	9-7/8		12-5/16	14-13/16	16-9/16	18-5/16	20-3/4	22-1/2	
	"B" STUB HEIGHT	23-7/8		29-13/16	35-3/4	40	44-3/16	50-1/8	54-3/8	
1-1/4	LEG LENGTH	9	9	10	11	11	11	12	12	
	UNBENT LENGTH	27-7/16	29-3/4	34-1/8	40-7/8	45-9/16	50-1/4	56-15/16	61-5/8	
	DIAGONAL	25-13/16	28-1/16	32-1/4	38-3/4	43-5/16	47-7/8	54-1/4	58-7/8	
	"A" OFFSET	9-7/8	10-3/4	12-5/16	14-13/16	16-9/16	18-5/16	20-3/4	22-1/2	
	"B" STUB HEIGHT	23-7/8	25-15/16	29-13/16	35-3/4	40	44-3/16	50-1/8	54-3/8	
1-1/2	LEG LENGTH	9	9	10	11	11	11	12	12	
	UNBENT LENGTH	27-7/16	29-3/4	34-1/8	40-7/8	45-9/16	50-1/4	56-15/16	61-5/8	
	DIAGONAL	25-13/16	28-1/16	32-1/4	38-3/4	43-5/16	47-7/8	54-1/4	58-7/8	
	"A" OFFSET	9-7/8	10-3/4	12-5/16	14-13/16	16-9/16	18-5/16	20-3/4	22-1/2	
	"B" STUB HEIGHT	23-7/8	25-15/16	29-13/16	35-3/4	40	44-3/16	50-1/8	54-3/8	
2	LEG LENGTH	9	9	10	11	11	11	12	12	
	UNBENT LENGTH	27-7/16	29-3/4	34-1/8	40-7/8	45-9/16	50-1/4	56-15/16	61-5/8	
	DIAGONAL	25-13/16	28-1/16	32-1/4	38-3/4	43-5/16	47-7/8	54-1/4	58-7/8	
	"A" OFFSET	9-7/8	10-3/4	12-5/16	14-13/16	16-9/16	18-5/16	20-3/4	22-1/2	
	"B" STUB HEIGHT	23-7/8	25-15/16	29-13/16	35-3/4	40	44-3/16	50-1/8	54-3/8	
2-1/2	LEG LENGTH	9	9	10	11	11	11	12	12	
	UNBENT LENGTH	27-7/16	29-3/4	34-1/8	40-7/8	45-9/16	50-1/4	56-15/16	61-5/8	
	DIAGONAL	25-13/16	28-1/16	32-1/4	38-3/4	43-5/16	47-7/8	54-1/4	58-7/8	
	"A" OFFSET	9-7/8	10-3/4	12-5/16	14-13/16	16-9/16	18-5/16	20-3/4	22-1/2	
	"B" STUB HEIGHT	23-7/8	25-15/16	29-13/16	35-3/4	40	44-3/16	50-1/8	54-3/8	
3	LEG LENGTH		9	10	11	11	11	12	12	
	UNBENT LENGTH		29-3/4	34-1/8	40-7/8	45-9/16	50-1/4	56-15/16	61-5/8	
	DIAGONAL		28-1/16	32-1/4	38-3/4	43-5/16	47-7/8	54-1/4	58-7/8	
	"A" OFFSET		10-3/4	12-5/16	14-13/16	16-9/16	18-5/16	20-3/4	22-1/2	
	"B" STUB HEIGHT		25-15/16	29-13/16	35-3/4	40	44-3/16	50-1/8	54-3/8	
3-1/2	LEG LENGTH			10	11	11	11	12	12	
	UNBENT LENGTH			34-1/8	40-7/8	45-9/16	50-1/4	56-15/16	61-5/8	
	DIAGONAL			32-1/4	38-3/4	43-5/16	47-7/8	54-1/4	58-7/8	
	"A" OFFSET			12-5/16	14-13/16	16-9/16	18-5/16	20-3/4	22-1/2	
	"B" STUB HEIGHT			29-13/16	35-3/4	40	44-3/16	50-1/8	54-3/8	
4	LEG LENGTH			10	11	11	11	12	12	12
	UNBENT LENGTH			34-1/8	40-7/8	45-9/16	50-1/4	56-15/16	61-5/8	71-1/8
	DIAGONAL			32-1/4	38-3/4	43-5/16	47-7/8	54-1/4	58-7/8	68-1/8
	"A" OFFSET			12-5/16	14-13/16	16-9/16	18-5/16	20-3/4	22-1/2	26-1/16
	"B" STUB HEIGHT			29-13/16	35-3/4	40	44-3/16	50-1/8	54-3/8	62-15/16
5	LEG LENGTH				11	11	11	12	12	12
	UNBENT LENGTH				45-9/16	50-1/4	56-15/16	61-5/8	61-5/8	71-1/8
	DIAGONAL				43-5/16	47-7/8	54-1/4	58-7/8	68-1/8	68-1/8
	"A" OFFSET				16-9/16	18-5/16	20-3/4	22-1/2	22-1/2	26-1/16
	"B" STUB HEIGHT				40	44-3/16	50-1/8	54-3/8	54-3/8	62-15/16
6	LEG LENGTH						11	12	12	12
	UNBENT LENGTH						50-1/4	56-15/16	61-5/8	71-1/8
	DIAGONAL						47-7/8	54-1/4	58-7/8	68-1/8
	"A" OFFSET						18-5/16	20-3/4	22-1/2	26-1/16
	"B" STUB HEIGHT						44-3/16	50-1/8	54-3/8	62-15/16

### Aluminum Conduit Couplings

Catalog Number	Description	Weight Per 100 Pieces (lbs)	Standard Carton
ALUCPLG-1/2	1/2 ALUMINUM COUPLING	6	50
ALUCPLG-3/4	3/4 ALUMINUM COUPLING	9	50
ALUCPLG-1	1 ALUMINUM COUPLING	13	50
ALUCPLG-1-1/4	1-1/4 ALUMINUM COUPLING	19	50
ALUCPLG-1-1/2	1-1/2 ALUMINUM COUPLING	23	50
ALUCPLG-2	2 ALUMINUM COUPLING	35	20
ALUCPLG-2-1/2	2-1/2 ALUMINUM COUPLING	68	12
ALUCPLG-3	3 ALUMINUM COUPLING	91	12
ALUCPLG-3-1/2	3-1/2 ALUMINUM COUPLING	108	12
ALUCPLG-4	4 ALUMINUM COUPLING	142	12
ALUCPLG-5	5 ALUMINUM COUPLING	242	BLK
ALUCPLG-6	6 ALUMINUM COUPLING	320	BLK

### Aluminum Conduit Standard Radius Elbows

Catalog Number	Description	Weight Per 100 Pieces (lbs)	Standard Carton
ALUEL1/2X90	1/2X90 ALUMINUM ELBOW	26	10
ALUEL3/4X90	3/4X90 ALUMINUM ELBOW	36	10
ALUEL1X90	1X90 ALUMINUM ELBOW	63	10
ALUEL1-1/4X90	1-1/4X90 ALUMINUM ELBOW	101	10
ALUEL1-1/2X90	1-1/2X90 ALUMINUM ELBOW	140	10
ALUEL2X90	2X90 ALUMINUM ELBOW	230	10
ALUEL2-1/2X90	2-1/2X90 ALUMINUM ELBOW	408	BLK
ALUEL3X90	3X90 ALUMINUM ELBOW	641	BLK
ALUEL3-1/2X90	3-1/2X90 ALUMINUM ELBOW	893	BLK
ALUEL4X90	4X90 ALUMINUM ELBOW	1114	BLK
ALUEL5X90	5X90 ALUMINUM ELBOW	2472	BLK
ALUEL6X90	6X90 ALUMINUM ELBOW	3872	BLK
ALUEL1/2X45	1/2X45 ALUMINUM ELBOW	22	10
ALUEL3/4X45	3/4X45 ALUMINUM ELBOW	31	10
ALUEL1X45	1X45 ALUMINUM ELBOW	54	10
ALUEL1-1/4X45	1-1/4X45 ALUMINUM ELBOW	86	10
ALUEL1-1/2X45	1-1/2X45 ALUMINUM ELBOW	119	10
ALUEL2X45	2X45 ALUMINUM ELBOW	196	10
ALUEL2-1/2X45	2-1/2X45 ALUMINUM ELBOW	347	BLK
ALUEL3X45	3X45 ALUMINUM ELBOW	545	BLK
ALUEL3-1/2X45	3-1/2X45 ALUMINUM ELBOW	759	BLK
ALUEL4X45	4X45 ALUMINUM ELBOW	947	BLK
ALUEL5X45	5X45 ALUMINUM ELBOW	2101	BLK
ALUEL6X45	6X45 ALUMINUM ELBOW	3291	BLK

### Aluminum Special Radius Elbows

Catalog Number	Description	App Weight (lbs)	Standard Carton
ALUELB1X90X12	1X90X12 ALUMINUM ELBOW	2	BLK
ALUELB1-1/4X90X12	1-1/4X90X12 ALUMINUM ELBOW	2	BLK
ALUELB1-1/2X90X12	1-1/2X90X12 ALUMINUM ELBOW	3	BLK
ALUELB2X90X12	2X90X12 ALUMINUM ELBOW	4	BLK
ALUELB1X45X12	1X45X12 ALUMINUM ELBOW	2	BLK
ALUELB1-1/4X45X12	1-1/4X45X12 ALUMINUM ELBOW	2	BLK
ALUELB1-1/2X45X12	1-1/2X45X12 ALUMINUM ELBOW	3	BLK
ALUELB2X45X12	2X45X12 ALUMINUM ELBOW	3	BLK
ALUELB1X60X12	1X60X12 ALUMINUM ELBOW	2	BLK
ALUELB1-1/4X60X12	1-1/4X60X12 ALUMINUM ELBOW	2	BLK
ALUELB1-1/2X60X12	1-1/2X60X12 ALUMINUM ELBOW	3	BLK
ALUELB2X60X12	2X60X12 ALUMINUM ELBOW	4	BLK
ALUELB1X30X12	1X30X12 ALUMINUM ELBOW	2	BLK
ALUELB1-1/4X30X12	1-1/4X30X12 ALUMINUM ELBOW	2	BLK
ALUELB1-1/2X30X12	1-1/2X30X12 ALUMINUM ELBOW	2	BLK
ALUELB2X30X12	2X30X12 ALUMINUM ELBOW	3	BLK
ALUELB2X90X15	2X90X15 ALUMINUM ELBOW	4	BLK
ALUELB2X45X15	2X45X15 ALUMINUM ELBOW	3	BLK
ALUELB2X60X15	2X60X15 ALUMINUM ELBOW	4	BLK
ALUELB2X30X15	2X30X15 ALUMINUM ELBOW	3	BLK
ALUELB1X90X18	1X90X18 ALUMINUM ELBOW	2	BLK
ALUELB1-1/4X90X18	1-1/4X90X18 ALUMINUM ELBOW	3	BLK
ALUELB1-1/2X90X18	1-1/2X90X18 ALUMINUM ELBOW	4	BLK
ALUELB2X90X18	2X90X18 ALUMINUM ELBOW	5	BLK
ALUELB2-1/2X90X18	2-1/2X90X18 ALUMINUM ELBOW	8	BLK
ALUELB3X90X18	3X90X18 ALUMINUM ELBOW	10	BLK
ALUELB3-1/2X90X18	3-1/2X90X18 ALUMINUM ELBOW	12	BLK
ALUELB4X90X18	4X90X18 ALUMINUM ELBOW	14	BLK
ALUELB1X45X18	1X45X18 ALUMINUM ELBOW	2	BLK
ALUELB1-1/4X45X18	1-1/4X45X18 ALUMINUM ELBOW	3	BLK
ALUELB1-1/2X45X18	1-1/2X45X18 ALUMINUM ELBOW	3	BLK
ALUELB2X45X18	2X45X18 ALUMINUM ELBOW	4	BLK
ALUELB2-1/2X45X18	2-1/2X45X18 ALUMINUM ELBOW	7	BLK
ALUELB3X45X18	3X45X18 ALUMINUM ELBOW	9	BLK
ALUELB3-1/2X45X18	3-1/2X45X18 ALUMINUM ELBOW	10	BLK
ALUELB4X45X18	4X45X18 ALUMINUM ELBOW	12	BLK

Weights shown are approximate for 90° elbows. To arrive at weights for 60° elbows deduct 10%, for 45° elbows deduct 15%, and for 30° elbows deduct 20%. **All products on this page are made to order. Consult factory for lead times. All Aluminum elbows are noncancelable and nonreturnable.**

### Aluminum Special Radius Elbows

Catalog Number	Description	App Weight (lbs)	Standard Carton
ALUELB1X60X18	1X60X18 ALUMINUM ELBOW	2	BLK
ALUELB1-1/4X60X18	1-1/4X60X18 ALUMINUM ELBOW	3	BLK
ALUELB1-1/2X60X18	1-1/2X60X18 ALUMINUM ELBOW	4	BLK
ALUELB2X60X18	2X60X18 ALUMINUM ELBOW	5	BLK
ALUELB2-1/2X60X18	2-1/2X60X18 ALUMINUM ELBOW	7	BLK
ALUELB3X60X18	3X60X18 ALUMINUM ELBOW	9	BLK
ALUELB3-1/2X60X18	3-1/2X60X18 ALUMINUM ELBOW	11	BLK
ALUELB4X60X18	4X60X18 ALUMINUM ELBOW	13	BLK
ALUELB1X30X18	1X30X18 ALUMINUM ELBOW	2	BLK
ALUELB1-1/4X30X18	1-1/4X30X18 ALUMINUM ELBOW	2	BLK
ALUELB1-1/2X30X18	1-1/2X30X18 ALUMINUM ELBOW	3	BLK
ALUELB2X30X18	2X30X18 ALUMINUM ELBOW	4	BLK
ALUELB2-1/2X30X18	2-1/2X30X18 ALUMINUM ELBOW	6	BLK
ALUELB3X30X18	3X30X18 ALUMINUM ELBOW	8	BLK
ALUELB3-1/2X30X18	3 1/2X30X18 ALUMINUM ELBOW	10	BLK
ALUELB4X30X18	4X30X18 ALUMINUM ELBOW	11	BLK
ALUELB1X90X24	1X90X24 ALUMINUM ELBOW	3	BLK
ALUELB1-1/4X90X24	1-1/4X90X24 ALUMINUM ELBOW	4	BLK
ALUELB1-1/2X90X24	1-1/2X90X24 ALUMINUM ELBOW	5	BLK
ALUELB2X90X24	2X90X24 ALUMINUM ELBOW	6	BLK
ALUELB2-1/2X90X24	2-1/2X90X24 ALUMINUM ELBOW	9	BLK
ALUELB3X90X24	3X90X24 ALUMINUM ELBOW	12	BLK
ALUELB3-1/2X90X24	3-1/2X90X24 ALUMINUM ELBOW	14	BLK
ALUELB4X90X24	4X90X24 ALUMINUM ELBOW	17	BLK
ALUELB1X45X24	1X45X24 ALUMINUM ELBOW	3	BLK
ALUELB1-1/4X45X24	1-1/4X45X24 ALUMINUM ELBOW	3	BLK
ALUELB1-1/2X45X24	1-1/2X45X24 ALUMINUM ELBOW	4	BLK
ALUELB2X45X24	2X45X24 ALUMINUM ELBOW	5	BLK
ALUELB2-1/2X45X24	2-1/2X45X24 ALUMINUM ELBOW	8	BLK
ALUELB3X45X24	3X45X24 ALUMINUM ELBOW	10	BLK
ALUELB3-1/2X45X24	3-1/2X45X24 ALUMINUM ELBOW	12	BLK
ALUELB4X45X24	4X45X24 ALUMINUM ELBOW	14	BLK
ALUELB1X60X24	1X60X24 ALUMINUM ELBOW	3	BLK
ALUELB1-1/4X60X24	1-1/4X60X24 ALUMINUM ELBOW	4	BLK
ALUELB1-1/2X60X24	1-1/2X60X24 ALUMINUM ELBOW	5	BLK
ALUELB2X60X24	2X60X24 ALUMINUM ELBOW	5	BLK
ALUELB2-1/2X60X24	2-1/2X60X24 ALUMINUM ELBOW	8	BLK
ALUELB3X60X24	3X60X24 ALUMINUM ELBOW	11	BLK
ALUELB3-1/2X60X24	3-1/2X60X24 ALUMINUM ELBOW	13	BLK
ALUELB4X60X24	4X60X24 ALUMINUM ELBOW	15	BLK

Weights shown are approximate for 90° elbows. To arrive at weights for 60° elbows deduct 10%, for 45° elbows deduct 15%, and for 30° elbows deduct 20%. **All products on this page are made to order. Consult factory for lead times. All Aluminum elbows are noncancelable and nonreturnable.**

### Aluminum Special Radius Elbows

Catalog Number	Description	App Weight (lbs)	Standard Carton
ALUELB1X30X24	1X30X24 ALUMINUM ELBOW	2	BLK
ALUELB1-1/4X30X24	1-1/4X30X24 ALUMINUM ELBOW	3	BLK
ALUELB1-1/2X30X24	1-1/2X30X24 ALUMINUM ELBOW	4	BLK
ALUELB2X30X24	2X30X24 ALUMINUM ELBOW	5	BLK
ALUELB2-1/2X30X24	2-1/2X30X24 ALUMINUM ELBOW	7	BLK
ALUELB3X30X24	3X30X24 ALUMINUM ELBOW	10	BLK
ALUELB3-1/2X30X24	3-1/2X30X24 ALUMINUM ELBOW	11	BLK
ALUELB4X30X24	4X30X24 ALUMINUM ELBOW	14	BLK
ALUELB1X90X30	1X90X30 ALUMINUM ELBOW	3	BLK
ALUELB1-1/4X90X30	1-1/4X90X30 ALUMINUM ELBOW	4	BLK
ALUELB1-1/2X90X30	1-1/2X90X30 ALUMINUM ELBOW	5	BLK
ALUELB2X90X30	2X90X30 ALUMINUM ELBOW	7	BLK
ALUELB2-1/2X90X30	2-1/2X90X30 ALUMINUM ELBOW	11	BLK
ALUELB3X90X30	3X90X30 ALUMINUM ELBOW	14	BLK
ALUELB4X90X30	4X90X30 ALUMINUM ELBOW	20	BLK
ALUELB5X90X30	5X90X30 ALUMINUM ELBOW	29	BLK
ALUELB1X45X30	1X45X30 ALUMINUM ELBOW	3	BLK
ALUELB1-1/4X45X30	1-1/4X45X30 ALUMINUM ELBOW	3	BLK
ALUELB1-1/2X45X30	1-1/2X45X30 ALUMINUM ELBOW	4	BLK
ALUELB2X45X30	2X45X30 ALUMINUM ELBOW	6	BLK
ALUELB2-1/2X45X30	2-1/2X45X30 ALUMINUM ELBOW	9	BLK
ALUELB3X45X30	3X45X30 ALUMINUM ELBOW	12	BLK
ALUELB4X45X30	4X45X30 ALUMINUM ELBOW	17	BLK
ALUELB5X45X30	5X45X30 ALUMINUM ELBOW	25	BLK
ALUELB1X60X30	1X60X30 ALUMINUM ELBOW	3	BLK
ALUELB1-1/4X60X30	1-1/4X60X30 ALUMINUM ELBOW	4	BLK
ALUELB1-1/2X60X30	1-1/2X60X30 ALUMINUM ELBOW	5	BLK
ALUELB2X60X30	2X60X30 ALUMINUM ELBOW	6	BLK
ALUELB2-1/2X60X30	2-1/2X60X30 ALUMINUM ELBOW	10	BLK
ALUELB3X60X30	3X60X30 ALUMINUM ELBOW	13	BLK
ALUELB4X60X30	4X60X30 ALUMINUM ELBOW	18	BLK
ALUELB5X60X30	5X60X30 ALUMINUM ELBOW	26	BLK

Weights shown are approximate for 90° elbows. To arrive at weights for 60° elbows deduct 10%, for 45° elbows deduct 15%, and for 30° elbows deduct 20%. **All products on this page are made to order. Consult factory for lead times. All Aluminum elbows are noncancelable and nonreturnable.**



### Aluminum Special Radius Elbows

Catalog Number	Description	App Weight (lbs)	Standard Carton
ALUELB1X30X30	1X30X30 ALUMINUM ELBOW	2	BLK
ALUELB1-1/4X30X30	1-1/4X30X30 ALUMINUM ELBOW	3	BLK
ALUELB1-1/2X30X30	1-1/2X30X30 ALUMINUM ELBOW	5	BLK
ALUELB2X30X30	2X30X30 ALUMINUM ELBOW	6	BLK
ALUELB2-1/2X30X30	2-1/2X30X30 ALUMINUM ELBOW	10	BLK
ALUELB3X30X30	3X30X30 ALUMINUM ELBOW	13	BLK
ALUELB4X30X30	4X30X30 ALUMINUM ELBOW	16	BLK
ALUELB5X30X30	5X30X30 ALUMINUM ELBOW	23	BLK
ALUELB1X90X36	1X90X36 ALUMINUM ELBOW	4	BLK
ALUELB1-1/4X90X36	1-1/4X90X36 ALUMINUM ELBOW	5	BLK
ALUELB1-1/2X90X36	1-1/2X90X36 ALUMINUM ELBOW	6	BLK
ALUELB2X90X36	2X90X36 ALUMINUM ELBOW	8	BLK
ALUELB2-1/2X90X36	2-1/2X90X36 ALUMINUM ELBOW	12	BLK
ALUELB3X90X36	3X90X36 ALUMINUM ELBOW	16	BLK
ALUELB3-1/2X90X36	3-1/2X90X36 ALUMINUM ELBOW	19	BLK
ALUELB4X90X36	4X90X36 ALUMINUM ELBOW	23	BLK
ALUELB5X90X36	5X90X36 ALUMINUM ELBOW	32	BLK
ALUELB6X90X36	6X90X36 ALUMINUM ELBOW	42	BLK
ALUELB1X45X36	1X45X36 ALUMINUM ELBOW	3	BLK
ALUELB1-1/4X45X36	1-1/4X45X36 ALUMINUM ELBOW	4	BLK
ALUELB1-1/2X45X36	1-1/2X45X36 ALUMINUM ELBOW	5	BLK
ALUELB2X45X36	2X45X36 ALUMINUM ELBOW	7	BLK
ALUELB2-1/2X45X36	2-1/2X45X36 ALUMINUM ELBOW	10	BLK
ALUELB3X45X36	3X45X36 ALUMINUM ELBOW	14	BLK
ALUELB3-1/2X45X36	3-1/2X45X36 ALUMINUM ELBOW	16	BLK
ALUELB4X45X36	4X45X36 ALUMINUM ELBOW	20	BLK
ALUELB5X45X36	5X45X36 ALUMINUM ELBOW	27	BLK
ALUELB6X45X36	6X45X36 ALUMINUM ELBOW	29	BLK
ALUELB1X60X36	1X60X36 ALUMINUM ELBOW	4	BLK
ALUELB1-1/4X60X36	1-1/4X60X36 ALUMINUM ELBOW	5	BLK
ALUELB1-1/2X60X36	1-1/2X60X36 ALUMINUM ELBOW	5	BLK
ALUELB2X60X36	2X60X36 ALUMINUM ELBOW	7	BLK
ALUELB2-1/2X60X36	2-1/2X60X36 ALUMINUM ELBOW	11	BLK
ALUELB3X60X36	3X60X36 ALUMINUM ELBOW	14	BLK
ALUELB3-1/2X60X36	3-1/2X60X36 ALUMINUM ELBOW	17	BLK
ALUELB4X60X36	4X60X36 ALUMINUM ELBOW	18	BLK
ALUELB5X60X36	5X60X36 ALUMINUM ELBOW	29	BLK
ALUELB6X60X36	6X60X36 ALUMINUM ELBOW	39	BLK

Weights shown are approximate for 90° elbows. To arrive at weights for 60° elbows deduct 10%, for 45° elbows deduct 15%, and for 30° elbows deduct 20%. **All products on this page are made to order. Consult factory for lead times. All Aluminum elbows are noncancelable and nonreturnable.**

### Aluminum Special Radius Elbows

Catalog Number	Description	App Weight (lbs)	Standard Carton
ALUELB1X30X36	1X30X36 ALUMINUM ELBOW	3	BLK
ALUELB1-1/4X30X36	1-1/4X30X36 ALUMINUM ELBOW	4	BLK
ALUELB1-1/2X30X36	1-1/2X30X36 ALUMINUM ELBOW	5	BLK
ALUELB2X30X36	2X30X36 ALUMINUM ELBOW	6	BLK
ALUELB2-1/2X30X36	2-1/2X30X36 ALUMINUM ELBOW	10	BLK
ALUELB3X30X36	3X30X36 ALUMINUM ELBOW	13	BLK
ALUELB3-1/2X30X36	3-1/2X30X36 ALUMINUM ELBOW	15	BLK
ALUELB4X30X36	4X30X36 ALUMINUM ELBOW	18	BLK
ALUELB5X30X36	5X30X36 ALUMINUM ELBOW	26	BLK
ALUELB6X30X36	6X30X36 ALUMINUM ELBOW	34	BLK
ALUELB4X90X42	4X90X42 ALUMINUM ELBOW	26	BLK
ALUELB5X90X42	5X90X42 ALUMINUM ELBOW	37	BLK
ALUELB4X45X42	4X45X42 ALUMINUM ELBOW	22	BLK
ALUELB5X45X42	5X45X42 ALUMINUM ELBOW	31	BLK
ALUELB4X60X42	4X60X42 ALUMINUM ELBOW	23	BLK
ALUELB5X60X42	5X60X42 ALUMINUM ELBOW	33	BLK
ALUELB4X30X42	4X30X42 ALUMINUM ELBOW	21	BLK
ALUELB5X30X42	5X30X42 ALUMINUM ELBOW	30	BLK
ALUELB1X90X48	1X90X48 ALUMINUM ELBOW	5	BLK
ALUELB1-1/4X90X48	1-1/4X90X48 ALUMINUM ELBOW	6	BLK
ALUELB1-1/2X90X48	1-1/2X90X48 ALUMINUM ELBOW	8	BLK
ALUELB2X90X48	2X90X48 ALUMINUM ELBOW	10	BLK
ALUELB2-1/2X90X48	2-1/2X90X48 ALUMINUM ELBOW	16	BLK
ALUELB3X90X48	3X90X48 ALUMINUM ELBOW	21	BLK
ALUELB3-1/2X90X48	3-1/2X90X48 ALUMINUM ELBOW	25	BLK
ALUELB4X90X48	4X90X48 ALUMINUM ELBOW	29	BLK
ALUELB5X90X48	5X90X48 ALUMINUM ELBOW	42	BLK
ALUELB6X90X48	6X90X48 ALUMINUM ELBOW	54	BLK

Weights shown are approximate for 90° elbows. To arrive at weights for 60° elbows deduct 10%, for 45° elbows deduct 15%, and for 30° elbows deduct 20%. **All products on this page are made to order. Consult factory for lead times. All Aluminum elbows are noncancelable and nonreturnable.**

### Aluminum Special Radius Elbows

Catalog Number	Description	App Weight (lbs)	Standard Carton
ALUELB1X45X48	1X45X48 ALUMINUM ELBOW	4	BLK
ALUELB1-1/4X45X48	1-1/4X45X48 ALUMINUM ELBOW	5	BLK
ALUELB1-1/2X45X48	1-1/2X45X48 ALUMINUM ELBOW	7	BLK
ALUELB2X45X48	2X45X48 ALUMINUM ELBOW	9	BLK
ALUELB2-1/2X45X48	2-1/2X45X48 ALUMINUM ELBOW	14	BLK
ALUELB3X45X48	3X45X48 ALUMINUM ELBOW	18	BLK
ALUELB3-1/2X45X48	3-1/2X45X48 ALUMINUM ELBOW	21	BLK
ALUELB4X45X48	4X45X48 ALUMINUM ELBOW	25	BLK
ALUELB5X45X48	5X45X48 ALUMINUM ELBOW	36	BLK
ALUELB6X45X48	6X45X48 ALUMINUM ELBOW	46	BLK
ALUELB1X60X48	1X60X48 ALUMINUM ELBOW	5	BLK
ALUELB1-1/4X60X48	1-1/4X60X48 ALUMINUM ELBOW	5	BLK
ALUELB1-1/2X60X48	1-1/2X60X48 ALUMINUM ELBOW	7	BLK
ALUELB2X60X48	2X60X48 ALUMINUM ELBOW	9	BLK
ALUELB2-1/2X60X48	2-1/2X60X48 ALUMINUM ELBOW	14	BLK
ALUELB3X60X48	3X60X48 ALUMINUM ELBOW	19	BLK
ALUELB3-1/2X60X48	3-1/2X60X48 ALUMINUM ELBOW	22	BLK
ALUELB4X60X48	4X60X48 ALUMINUM ELBOW	26	BLK
ALUELB5X60X48	5X60X48 ALUMINUM ELBOW	38	BLK
ALUELB6X60X48	6X60X48 ALUMINUM ELBOW	49	BLK
ALUELB1X30X48	1X30X48 ALUMINUM ELBOW	4	BLK
ALUELB1-1/4X30X48	1-1/4X30X48 ALUMINUM ELBOW	5	BLK
ALUELB1-1/2X30X48	1-1/2X30X48 ALUMINUM ELBOW	6	BLK
ALUELB2X30X48	2X30X48 ALUMINUM ELBOW	8	BLK
ALUELB2-1/2X30X48	2-1/2X30X48 ALUMINUM ELBOW	13	BLK
ALUELB3X30X48	3X30X48 ALUMINUM ELBOW	17	BLK
ALUELB3-1/2X30X48	3-1/2X30X48 ALUMINUM ELBOW	20	BLK
ALUELB4X30X48	4X30X48 ALUMINUM ELBOW	23	BLK
ALUELB5X30X48	5X30X48 ALUMINUM ELBOW	34	BLK
ALUELB6X30X48	6X30X48 ALUMINUM ELBOW	43	BLK

Weights shown are approximate for 90° elbows. To arrive at weights for 60° elbows deduct 10%, for 45° elbows deduct 15%, and for 30° elbows deduct 20%. **All products on this page are made to order. Consult factory for lead times. All Aluminum elbows are noncancelable and nonreturnable.**

## Aluminum Conduit Nipples

Catalog Number	Description	Weight Per 100 Pieces (lbs)	Standard Carton
ALUNIP1/2XCL	1/2X1-1/8 (CL) ALUMINUM NIPPLE	2	25
ALUNIP3/4XCL	3/4X13/8 (CL) ALUMINUM NIPPLE	3	25
ALUNIP1XCL	1X1-1/2 (CL) ALUMINUM NIPPLE	4	25
ALUNIP1-1/4XCL	1-1/4X1-5/8 (CL) ALUMINUM NIPPLE	7	25
ALUNIP1-1/2XCL	1-1/2X1-3/4 (CL) ALUMINUM NIPPLE	10	25
ALUNIP2XCL	2X2 (CL) ALUMINUM NIPPLE	16	25
ALUNIP2-1/2XCL	2-1/2X2-1/2 (CL) ALUMINUM NIPPLE	22	12
ALUNIP3XCL	3X2-5/8 (CL) ALUMINUM NIPPLE	24	12
ALUNIP3-1/2XCL	3-1/2X2-3/4 (CL) ALUMINUM NIPPLE	42	12
ALUNIP4XCL	4X2-7/8 (CL) ALUMINUM NIPPLE	51	12
ALUNIP5XCL	5X3 (CL) ALUMINUM NIPPLE	71	BLK
ALUNIP6XCL	6X3-1/8 (CL) ALUMINUM NIPPLE	105	BLK
ALUNIP1/2X1-1/2	1/2X1-1/2 ALUMINUM NIPPLE	3	25
ALUNIP3/4X1-1/2	3/4X1-1/2 ALUMINUM NIPPLE	3	25
ALUNIP1/2X2	1/2X2 ALUMINUM NIPPLE	4	25
ALUNIP3/4X2	3/4X2 ALUMINUM NIPPLE	5	25
ALUNIP1X2	1X2 ALUMINUM NIPPLE	7	25
ALUNIP1-1/4X2	1-1/4X2 ALUMINUM NIPPLE	10	25
ALUNIP1-1/2X2	1-1/2X2 ALUMINUM NIPPLE	12	25
ALUNIP1/2X2-1/2	1/2X2-1/2 ALUMINUM NIPPLE	5	25
ALUNIP3/4X2-1/2	3/4X2-1/2 ALUMINUM NIPPLE	7	25
ALUNIP1X2-1/2	1X2-1/2 ALUMINUM NIPPLE	8	25
ALUNIP1-1/4X2-1/2	1-1/4X2-1/2 ALUMINUM NIPPLE	13	25
ALUNIP1-1/2X2-1/2	1-1/2X2-1/2 ALUMINUM NIPPLE	16	25
ALUNIP2X2-1/2	2X2-1/2 ALUMINUM NIPPLE	22	25
ALUNIP1/2X3	1/2X3 ALUMINUM NIPPLE	7	25
ALUNIP3/4X3	3/4X3 ALUMINUM NIPPLE	8	25
ALUNIP1X3	1X3 ALUMINUM NIPPLE	12	25
ALUNIP1-1/4X3	1-1/4X3 ALUMINUM NIPPLE	16	25
ALUNIP1-1/2X3	1-1/2X3 ALUMINUM NIPPLE	20	25
ALUNIP2X3	2X3 ALUMINUM NIPPLE	27	25
ALUNIP2-1/2X3	2-1/2X3 ALUMINUM NIPPLE	30	12
ALUNIP3X3	3X3 ALUMINUM NIPPLE	42	12
ALUNIP1/2X3-1/2	1/2X3-1/2 ALUMINUM NIPPLE	8	25
ALUNIP3/4X3-1/2	3/4X3-1/2 ALUMINUM NIPPLE	10	25
ALUNIP1X3-1/2	1X3-1/2 ALUMINUM NIPPLE	14	25
ALUNIP1-1/4X3-1/2	1-1/4X3-1/2 ALUMINUM NIPPLE	20	25
ALUNIP1-1/2X3-1/2	1-1/2X3-1/2 ALUMINUM NIPPLE	24	25
ALUNIP2X3-1/2	2X3-1/2 ALUMINUM NIPPLE	32	25
ALUNIP2-1/2X3-1/2	2-1/2X3-1/2 ALUMINUM NIPPLE	39	12
ALUNIP3X3-1/2	3X3-1/2 ALUMINUM NIPPLE	53	12

## Aluminum Conduit Nipples

Catalog Number	Description	Weight Per 100 Pieces (lbs)	Standard Carton
ALUNIP1/2X4	1/2 X4 ALUMINUM NIPPLE	9	25
ALUNIP3/4X4	3/4X4 ALUMINUM NIPPLE	12	25
ALUNIP1X4	1X4 ALUMINUM NIPPLE	16	25
ALUNIP1-1/4X4	1-1/4X4 ALUMINUM NIPPLE	23	25
ALUNIP1-1/2X4	1-1/2X4 ALUMINUM NIPPLE	28	25
ALUNIP2X4	2X4 ALUMINUM NIPPLE	38	25
ALUNIP2-1/2X4	2-1/2X4 ALUMINUM NIPPLE	47	12
ALUNIP3X4	3X4 ALUMINUM NIPPLE	64	12
ALUNIP3-1/2X4	3-1/2X4 ALUMINUM NIPPLE	75	12
ALUNIP4X4	4X4 ALUMINUM NIPPLE	87	12
ALUNIP1/2X5	1/2X5 ALUMINUM NIPPLE	12	25
ALUNIP3/4X5	3/4X5 ALUMINUM NIPPLE	15	25
ALUNIP1X5	1X5 ALUMINUM NIPPLE	21	25
ALUNIP1-1/4X5	1-1/4X5 ALUMINUM NIPPLE	29	25
ALUNIP1-1/2X5	1-1/2X5 ALUMINUM NIPPLE	36	25
ALUNIP2X5	2X5 ALUMINUM NIPPLE	48	25
ALUNIP2-1/2X5	2-1/2X5 ALUMINUM NIPPLE	64	12
ALUNIP3X5	3X5 ALUMINUM NIPPLE	86	12
ALUNIP3-1/2X5	3-1/2X5 ALUMINUM NIPPLE	101	12
ALUNIP4X5	4X5 ALUMINUM NIPPLE	118	12
ALUNIP5X5	5X5 ALUMINUM NIPPLE	155	BLK
ALUNIP6X5	6X5 ALUMINUM NIPPLE	208	BLK
ALUNIP1/2X6	1/2X6 ALUMINUM NIPPLE	14	25
ALUNIP3/4X6	3/4X6 ALUMINUM NIPPLE	18	25
ALUNIP1X6	1X6 ALUMINUM NIPPLE	26	25
ALUNIP1-1/4X6	1-1/4X6 ALUMINUM NIPPLE	36	25
ALUNIP1-1/2X6	1-1/2X6 ALUMINUM NIPPLE	44	25
ALUNIP2X6	2X6 ALUMINUM NIPPLE	58	25
ALUNIP2-1/2X6	2-1/2X6 ALUMINUM NIPPLE	80	10
ALUNIP3X6	3X6 ALUMINUM NIPPLE	108	10
ALUNIP3-1/2X6	3-1/2X6 ALUMINUM NIPPLE	128	5
ALUNIP4X6	4X6 ALUMINUM NIPPLE	149	5
ALUNIP5X6	5X6 ALUMINUM NIPPLE	197	BLK
ALUNIP6X6	6X6 ALUMINUM NIPPLE	263	BLK

## Aluminum Conduit Nipples

Catalog Number	Description	Weight Per 100 Pieces (lbs)	Standard Carton
ALUNIP1/2X8	1/2X8 ALUMINUM NIPPLE	19	25
ALUNIP3/4X8	3/4X8 ALUMINUM NIPPLE	25	25
ALUNIP1X8	1X8 ALUMINUM NIPPLE	36	25
ALUNIP1-1/4X8	1-1/4X8 ALUMINUM NIPPLE	49	10
ALUNIP1-1/2X8	1-1/2X8 ALUMINUM NIPPLE	59	10
ALUNIP2X8	2X8 ALUMINUM NIPPLE	78	10
ALUNIP2-1/2X8	2-1/2X8 ALUMINUM NIPPLE	114	5
ALUNIP3X8	3X8 ALUMINUM NIPPLE	152	5
ALUNIP3-1/2X8	3-1/2X8 ALUMINUM NIPPLE	180	5
ALUNIP4X8	4X8 ALUMINUM NIPPLE	212	3
ALUNIP5X8	5X8 ALUMINUM NIPPLE	281	BLK
ALUNIP6X8	6X8 ALUMINUM NIPPLE	372	BLK
ALUNIP1/2X10	1/2X10 ALUMINUM NIPPLE	24	25
ALUNIP3/4X10	3/4X10 ALUMINUM NIPPLE	31	25
ALUNIP1X10	1X10 ALUMINUM NIPPLE	45	25
ALUNIP1-1/4X10	1-1/4X10 ALUMINUM NIPPLE	62	10
ALUNIP1-1/2X10	1-1/2X10 ALUMINUM NIPPLE	74	10
ALUNIP2X10	2X10 ALUMINUM NIPPLE	100	10
ALUNIP2-1/2X10	2-1/2X10 ALUMINUM NIPPLE	148	5
ALUNIP3X10	3X10 ALUMINUM NIPPLE	196	5
ALUNIP3-1/2X10	3-1/2X10 ALUMINUM NIPPLE	234	4
ALUNIP4X10	4X10 ALUMINUM NIPPLE	274	4
ALUNIP5X10	5X10 ALUMINUM NIPPLE	366	BLK
ALUNIP6X10	6X10 ALUMINUM NIPPLE	481	BLK
ALUNIP1/2X12	1/2X12 ALUMINUM NIPPLE	29	25
ALUNIP3/4X12	3/4X12 ALUMINUM NIPPLE	38	25
ALUNIP1X12	1X12 ALUMINUM NIPPLE	55	25
ALUNIP1-1/4X12	1-1/4X12 ALUMINUM NIPPLE	75	10
ALUNIP1-1/2X12	1-1/2X12 ALUMINUM NIPPLE	90	10
ALUNIP2X12	2X12 ALUMINUM NIPPLE	120	10
ALUNIP2-1/2X12	2-1/2X12 ALUMINUM NIPPLE	180	5
ALUNIP3X12	3X12 ALUMINUM NIPPLE	240	5
ALUNIP3-1/2X12	3-1/2X12 ALUMINUM NIPPLE	286	4
ALUNIP4X12	4X12 ALUMINUM NIPPLE	336	4
ALUNIP5X12	5X12 ALUMINUM NIPPLE	450	BLK
ALUNIP6X12	6X12 ALUMINUM NIPPLE	591	BLK

# Original Korns Clamps

For Conduit, Strut, and  
Cable Tray Support Systems



Parallel Conduit Support



Right Angle Conduit Support



Beam Clamp



Edge Type Conduit Support

## The Original Korns Clamp

Malleable iron—  
Hot dip galvanized—standard. Also available with various grades of stainless steel hardware. Contact Korns representative or factory for pricing.



### Right Angle Conduit Supports

Catalog Number	Description	Weight Per 100 Pieces (lbs)	Standard Carton
KNRA-3/8	3/8 RIGHT ANGLE CLAMP	25	50
KNRA-1/2	1/2 RIGHT ANGLE CLAMP	40	50
KNRA-3/4	3/4 RIGHT ANGLE CLAMP	43	50
KNRA-1	1 RIGHT ANGLE CLAMP	48	25
KNRA-1-1/4	1-1/4 RIGHT ANGLE CLAMP	53	25
KNRA-1-1/2	1-1/2 RIGHT ANGLE CLAMP	58	25
KNRA-2	2 RIGHT ANGLE CLAMP	85	25
KNRA-2-1/2	2-1/2 RIGHT ANGLE CLAMP	106	20
KNRA-3	3 RIGHT ANGLE CLAMP	110	15
KNRA-3-1/2	3-1/2 RIGHT ANGLE CLAMP	128	15
KNRA-4	4 RIGHT ANGLE CLAMP	140	10
KNRA-5	5 RIGHT ANGLE CLAMP	330	5
KNRA-6	6 RIGHT ANGLE CLAMP	375	5



### Parallel Conduit Supports

Catalog Number	Description	Weight Per 100 Pieces (lbs)	Standard Carton
KNPAR-3/8	3/8 PARALLEL CLAMP	32	50
KNPAR-1/2	1/2 PARALLEL CLAMP	58	40
KNPAR-3/4	3/4 PARALLEL CLAMP	64	30
KNPAR-1	1 PARALLEL CLAMP	70	30
KNPAR-1-1/4	1-1/4 PARALLEL CLAMP	72	25
KNPAR-1-1/2	1-1/2 PARALLEL CLAMP	93	20
KNPAR-2	2 PARALLEL CLAMP	100	20
KNPAR-2-1/2	2-1/2 PARALLEL CLAMP	135	15
KNPAR-3	3 PARALLEL CLAMP	155	10
KNPAR-3-1/2	3-1/2 PARALLEL CLAMP	190	10
KNPAR-4	4 PARALLEL CLAMP	205	10



### Edge Type Conduit Supports

Catalog Number	Description	Weight Per 100 Pieces (lbs)	Standard Carton
KNET-1/2	1/2 EDGE CLAMP	67	30
KNET-3/4	3/4 EDGE CLAMP	71	30
KNET-1	1 EDGE CLAMP	85	20
KNET-1-1/4	1-1/4 EDGE CLAMP	91	20
KNET-1-1/2	1-1/2 EDGE CLAMP	115	20
KNET-2	2 EDGE CLAMP	135	15
KNET-2-1/2	2-1/2 EDGE CLAMP	183	10
KNET-3	3 EDGE CLAMP	230	5



## The Original Korns Clamp with Stainless Steel Hardware

Malleable iron—  
Hot dip galvanized with 316 stainless steel hardware.



### Right Angle Conduit Supports - Stainless Steel

Catalog Number	Description	Weight Per 100 Pieces (lbs)	Standard Carton
KNRA-1/2-GS	1/2 STAINLESS STEEL RIGHT ANGLE CLAMP	40	50
KNRA-3/4-GS	3/4 STAINLESS STEEL RIGHT ANGLE CLAMP	43	50
KNRA-1-GS	1 STAINLESS STEEL RIGHT ANGLE CLAMP	48	25
KNRA-1-1/4-GS	1-1/4 STAINLESS STEEL RIGHT ANGLE CLAMP	53	25
KNRA-1-1/2-GS	1-1/2 STAINLESS STEEL RIGHT ANGLE CLAMP	58	25
KNRA-2-GS	2 STAINLESS STEEL RIGHT ANGLE CLAMP	85	25
KNRA-2-1/2-GS	2-1/2 STAINLESS STEEL RIGHT ANGLE CLAMP	106	20
KNRA-3-GS	3 STAINLESS STEEL RIGHT ANGLE CLAMP	110	15
KNRA-3-1/2-GS	3-1/2 STAINLESS STEEL RIGHT ANGLE CLAMP	128	15
KNRA-4-GS	4 STAINLESS STEEL RIGHT ANGLE CLAMP	140	10
KNRA-5-GS	5 STAINLESS STEEL RIGHT ANGLE CLAMP	330	5
KNRA-6-GS	6 STAINLESS STEEL RIGHT ANGLE CLAMP	375	5



### Parallel Conduit Supports - Stainless Steel

Catalog Number	Description	Weight Per 100 Pieces (lbs)	Standard Carton
KNPAR-1/2-GS	1/2 STAINLESS STEEL PARALLEL CLAMP	58	40
KNPAR-3/4-GS	3/4 STAINLESS STEEL PARALLEL CLAMP	64	30
KNPAR-1-GS	1 STAINLESS STEEL PARALLEL CLAMP	70	30
KNPAR-1-1/4-GS	1-1/4 STAINLESS STEEL PARALLEL CLAMP	72	25
KNPAR-1-1/2-GS	1-1/2 STAINLESS STEEL PARALLEL CLAMP	93	20
KNPAR-2-GS	2 STAINLESS STEEL PARALLEL CLAMP	100	20
KNPAR-2-1/2-GS	2-1/2 STAINLESS STEEL PARALLEL CLAMP	135	15
KNPAR-3-GS	3 STAINLESS STEEL PARALLEL CLAMP	155	5
KNPAR-3-1/2-GS	3-1/2 STAINLESS STEEL PARALLEL CLAMP	190	10
KNPAR-4-GS	4 STAINLESS STEEL PARALLEL CLAMP	205	10



### Edge Type Conduit Supports - Stainless Steel

Catalog Number	Description	Weight Per 100 Pieces (lbs)	Standard Carton
KNET-1/2-GS	1/2 STAINLESS STEEL EDGE CLAMP	67	30
KNET-3/4-GS	3/4 STAINLESS STEEL EDGE CLAMP	71	30
KNET-1-GS	1 STAINLESS STEEL EDGE CLAMP	85	20
KNET-1-1/4-GS	1-1/4 STAINLESS STEEL EDGE CLAMP	91	20
KNET-1-1/2-GS	1-1/2 STAINLESS STEEL EDGE CLAMP	115	20
KNET-2-GS	2 STAINLESS STEEL EDGE CLAMP	135	15
KNET-2-1/2-GS	2-1/2 STAINLESS STEEL EDGE CLAMP	183	25
KNET-3-GS	3 STAINLESS STEEL EDGE CLAMP	230	5



### Hot Dip Galvanized U-Bolts

Catalog Number	Description	Weight Per 100 Pieces (lbs)	Standard Carton
KNUB-3/8	3/8 UBOLT	6	100
KNUB-1/2	1/2 UBOLT	13	100
KNUB-3/4	3/4 UBOLT	14	100
KNUB-1	1 UBOLT	15	100
KNUB-1-1/4	1-1/4 UBOLT	16	100
KNUB-1-1/2	1-1/2 UBOLT	18	100
KNUB-2	2 UBOLT	30	100
KNUB-2-1/2	2-1/2 UBOLT	34	100
KNUB-3	3 UBOLT	38	50
KNUB-3-1/2	3-1/2 UBOLT	40	25
KNUB-4	4 UBOLT	45	25
KNUB-5	5 UBOLT	95	25
KNUB-6	6 UBOLT	108	25

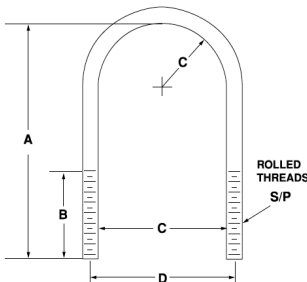
One nut each leg—  
Hot dip galvanized— standard.



### Stainless Steel U-Bolts

Catalog Number	Description	Weight Per 100 Pieces (lbs)	Standard Carton
KNUB-3/8-SS	3/8 STAINLESS STEEL UBOLT	6	100
KNUB-1/2-SS	1/2 STAINLESS STEEL UBOLT	13	100
KNUB-3/4-SS	3/4 STAINLESS STEEL UBOLT	14	100
KNUB-1-SS	1 STAINLESS STEEL UBOLT	15	100
KNUB-1-1/4-SS	1 1/4 STAINLESS STEEL UBOLT	16	100
KNUB-1-1/2-SS	1 1/2 STAINLESS STEEL UBOLT	18	100
KNUB-2-SS	2 STAINLESS STEEL UBOLT	30	100
KNUB-2-1/2-SS	2 1/2 STAINLESS STEEL UBOLT	34	100
KNUB-3-SS	3 STAINLESS STEEL UBOLT	38	50
KNUB-3-1/2-SS	3 1/2 STAINLESS STEEL UBOLT	40	25
KNUB-4-SS	4 STAINLESS STEEL UBOLT	45	25
KNUB-5-SS	5 STAINLESS STEEL UBOLT	95	25
KNUB-6-SS	6 STAINLESS STEEL UBOLT	108	25

One stainless steel nut each leg.  
**Stainless Steel U-Bolts are non-cancelable and non-returnable.**



Size	A	B	C	D	S/P*	R
3/8"	N/A	N/A	N/A	N/A	1/4 - 20	N/A
1/2"	2.41	1.50	.85	1.16	5/16 - 18	.443
3/4"	2.73	1.50	1.11	1.42	5/16 - 18	.573
1"	3.04	1.50	1.41	1.72	5/16 - 18	.723
1-1/4"	3.16	1.50	1.75	2.06	5/16 - 18	.893
1-1/2"	3.48	1.50	2.03	2.34	5/16 - 18	1.033
2"	4.30	1.75	2.50	2.88	3/8 - 16	1.275
2-1/2"	4.80	1.75	3.03	3.40	3/8 - 16	1.535
3"	5.36	1.75	3.67	4.04	3/8 - 16	1.855
3-1/2"	5.80	1.75	4.15	4.52	3/8 - 16	2.095
4"	6.50	1.75	4.53	4.90	3/8 - 16	2.285
5"	7.88	2.50	5.75	6.25	1/2 - 13	2.902
6"	8.88	2.50	6.81	7.31	1/2 - 13	3.432

\*Thread size and pitch.

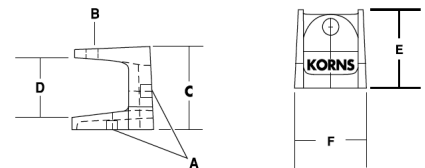


## Beam Clamps

Catalog Number	Description	Weight Per 100 Pieces (lbs)	Standard Carton
KNKBC-101	101 BEAM CLAMP	25	25
KNKBC-102	102 BEAM CLAMP	50	25
KNKBC-103	103 BEAM CLAMP	95	10
KNKBC-104	104 BEAM CLAMP	195	10

Malleable iron with steel set screw—  
Hot Dip Galvanized— Standard.

Trade Dimensions (Inches)						
Size	A	B	C	D	E	F
1	1/4–20	5/16–18	1-1/2	1	1-1/4	1
1-1/2	5/16–18	3/8–16	1-3/4	1	1-5/8	1-1/2
2	3/8–16	1/2–13	2-1/8	1-3/8	2	2
2-1/2	1/2–13	1/2–13	2-1/4	1-3/8	2-1/2	2-3/4



## One-Hole Straps

Catalog Number	Description	Weight Per 100 Pieces (lbs)	Standard Carton
KNOHK-1/2	1/2 ONE HOLE STRAP	6	50
KNOHK-3/4	3/4 ONE HOLE STRAP	9	50
KNOHK-1	1 ONE HOLE STRAP	12	50
KNOHK-1-1/4	1-1/4 ONE HOLE STRAP	20	25
KNOHK-1-1/2	1-1/2 ONE HOLE STRAP	28	25
KNOHK-2	2 ONE HOLE STRAP	63	25
KNOHK-2-1/2	2-1/2 ONE HOLE STRAP	104	25
KNOHK-3	3 ONE HOLE STRAP	126	25
KNOHK-3-1/2	3-1/2 ONE HOLE STRAP	156	10
KNOHK-4	4 ONE HOLE STRAP	231	10

Malleable iron—Rigid/IMC  
Hot dip galvanized—standard.



## Clampback Spacers

Catalog Number	Description	Weight Per 100 Pieces (lbs)	Standard Carton
KNCSK-1/2	1/2 CLAMPBACK SPACER	8	50
KNCSK-3/4	3/4 CLAMPBACK SPACER	9	50
KNCSK-1	1 CLAMPBACK SPACER	15	50
KNCSK-1-1/4	1 1/4 CLAMPBACK SPACER	16	25
KNCSK-1-1/2	1 1/2 CLAMPBACK SPACER	22	25
KNCSK-2	2 CLAMPBACK SPACER	43	25
KNCSK-2-1/2	2 1/2 CLAMPBACK SPACER	51	25
KNCSK-3	3 CLAMPBACK SPACER	71	25
KNCSK-3-1/2	3 1/2 CLAMPBACK SPACER	101	10
KNCSK-4	4 CLAMPBACK SPACER	124	10

Malleable iron—Rigid/IMC  
Hot dip galvanized—standard.

## Appendix

### Article 310 – Conductors for General Wiring

Table 310.16 Allowable ampacities of insulated conductors rated 0 through 2000 volts, 60°C through 90°C (140°F through 194°F), not more than three current-carrying conductors in raceway, cable, or earth (directly buried), based on ambient temperature of 30°C (86°F)

Temperature Rating of Conductors							
	60°C - (140°F)	75°C - (167°F)	90°C - (194°F)	60°C - (140°F)	75°C - (167°F)	90°C - (194°F)	
	Types RHW, THHW, THW, THWN, XHHW, USE, ZW		Types TBS, SA, SIS, FEP, FEPB, MI, RHH, RHW-2, THHN, THHW, THW-2, THWN-2, USE-2, XHH, XHHW, XHHW-2, ZW-2	Types RHW, THHW, THW, THWN, XHHW, USE		Types TBS, SA, SIS, THHN, THHW, THW-2, THWN-2, RHH, RHW-2, USE-2, XHH, XHHW, XHHW-2, ZW-2	
Size AWG or kcmil	Copper			Aluminum or Copper-Clad Aluminum			Size AWG or kcmil
18			14				
16			18				
14*	20	20	25				
12*	25	25	30	20	20	25	12*
10*	30	35	40	25	30	35	10*
8	40	50	55	30	40	45	8
6	55	65	75	40	50	60	6
4	70	85	95	55	65	75	4
3	85	100	110	65	75	85	3
2	95	115	130	75	90	100	2
1	110	130	150	85	100	115	1
1/0	125	150	170	100	120	135	1/0
2/0	145	175	195	115	135	150	2/0
3/0	165	200	225	130	155	175	3/0
4/0	195	230	260	150	180	205	4/0
250	215	255	290	170	205	230	250
300	240	285	320	190	230	255	300
350	260	310	350	210	250	280	350
400	280	335	380	225	270	305	400
500	320	380	430	260	310	350	500
600	355	420	475	285	340	385	600
700	385	460	520	310	375	420	700
750	400	475	535	320	385	435	750
800	410	490	555	330	395	450	800
900	435	520	585	355	425	480	900
1000	455	545	615	375	445	500	1000
1250	495	590	665	405	485	545	1250
1500	520	625	705	435	520	585	1500
1750	545	650	735	455	545	615	1750
2000	560	665	750	470	560	630	2000

### Correction Factors

Ambient Temp. (°C)	For ambient temperatures other than 30°C (86°F), multiply the allowable ampacities shown above by the appropriate factor shown below.						Ambient Temp. (°F)
21 - 25	1.08	1.05	1.04	1.08	1.05	1.04	70 - 77
26 - 30	1.00	1.00	1.00	1.00	1.00	1.00	78 - 86
31 - 35	0.91	0.94	0.96	0.91	0.94	0.96	87 - 95
36 - 40	0.82	0.88	0.91	0.82	0.88	0.91	96 - 104
41 - 45	0.71	0.82	0.87	0.71	0.82	0.87	105 - 113
46 - 50	0.58	0.75	0.82	0.58	0.75	0.82	114 - 122
51 - 55	0.41	0.67	0.76	0.41	0.67	0.76	123 - 131
56 - 60		0.58	0.71		0.58	0.71	132 - 140
61 - 70		0.33	0.58		0.33	0.58	141 - 158
71 - 80			0.41			0.41	159 - 176

## Appendix

**Table C8 – Maximum Number of Conductors or Fixture Wires in Rigid Metal Conduit (RMC) (Based on Table 1, Chapter 9)**

Type	Size (AWG)	16	21	27	35	41	53	63	78	91	103	129	155
	Size (kcmil)	.5	.75	1	1.25	1.5	2	2.5	3	3.5	4	5	6
	Conductor	Metric Designator (Trade Size)											
RHH, RHW, RHW-2	14	4	7	12	21	28	46	66	102	136	176	276	398
	12	3	6	10	17	23	38	55	85	113	146	229	330
	10	3	5	8	14	19	31	44	68	91	118	185	267
	8	1	2	4	7	10	16	23	36	48	61	97	139
	6	1	1	3	6	8	13	18	29	38	49	77	112
	4	1	1	2	4	6	10	14	22	30	38	60	87
	3	1	1	2	4	5	9	12	19	26	34	53	76
	2	1	1	1	3	4	7	11	17	23	29	46	66
	1	0	1	1	1	3	5	7	11	15	19	30	44
	1/0	0	1	1	1	2	4	6	10	13	17	26	38
	2/0	0	1	1	1	2	4	5	8	11	14	23	33
	3/0	0	0	1	1	1	3	4	7	10	12	20	28
	4/0	0	0	1	1	1	3	4	6	8	11	17	24
	250	0	0	0	1	1	1	3	4	6	8	13	18
	300	0	0	0	1	1	1	2	4	5	7	11	16
	350	0	0	0	1	1	1	2	4	5	6	10	15
400	0	0	0	1	1	1	1	3	4	6	9	13	
500	0	0	0	1	1	1	1	3	4	5	8	11	
600	0	0	0	0	1	1	1	2	3	4	6	9	
700	0	0	0	0	1	1	1	1	3	4	6	8	
750	0	0	0	0	0	1	1	1	3	3	5	8	
800	0	0	0	0	0	1	1	1	2	3	5	7	
900	0	0	0	0	0	1	1	1	2	3	5	7	
1000	0	0	0	0	0	1	1	1	1	3	4	6	
TW,	14	9	15	25	44	59	98	140	216	288	370	581	839
THHW,	12	7	12	19	33	45	75	107	165	221	284	446	644
THW,	10	5	9	14	25	34	56	80	123	164	212	332	480
THW-2	8	3	5	8	14	19	31	44	68	91	118	185	267
RHH*, RHW*, RHW-2*	14	6	10	17	29	39	65	93	143	191	246	387	558
RHH*, RHW*, RHW-2*	12	5	8	13	23	32	52	75	115	154	198	311	448
RHH*, RHW*, RHW-2*	10	3	6	10	18	25	41	58	90	120	154	242	350
RHH*, RHW*, RHW-2*	8	1	4	6	11	15	24	35	54	72	92	145	209

Type	Size (AWG)	16	21	27	35	41	53	63	78	91	103	129	155
	Size (kcmil)	.5	.75	1	1.25	1.5	2	2.5	3	3.5	4	5	6
	Conductor	Metric Designator (Trade Size)											
RHH*, RHW*, RHW-2*, TW, THW, THHW, THW-2	6	1	3	5	8	11	18	27	41	55	71	111	160
	4	1	1	3	6	8	14	20	31	41	53	83	120
	3	1	1	3	5	7	12	17	26	35	45	71	103
	2	1	1	2	4	6	10	14	22	30	38	60	87
	1	1	1	1	3	4	7	10	15	21	27	42	61
	1/0	0	1	1	2	3	6	8	13	18	23	36	52
	2/0	0	1	1	2	3	5	7	11	15	19	31	44
	3/0	0	1	1	1	2	4	6	9	13	16	26	37
	4/0	0	0	1	1	1	3	5	8	10	14	21	31
	250	0	0	1	1	1	3	4	6	8	11	17	25
	300	0	0	1	1	1	2	3	5	7	9	15	22
	350	0	0	0	1	1	1	3	5	6	8	13	19
	400	0	0	0	1	1	1	3	4	6	7	12	17
	500	0	0	0	1	1	1	2	3	5	6	10	14
	600	0	0	0	1	1	1	1	3	4	5	8	12
	700	0	0	0	0	1	1	1	2	3	4	7	10
750	0	0	0	0	1	1	1	2	3	4	7	10	
800	0	0	0	0	1	1	1	2	3	4	6	9	
900	0	0	0	0	1	1	1	1	3	4	6	8	
1000	0	0	0	0	0	1	1	1	2	3	5	8	
THHN, THWN, THWN-2	14	13	22	36	63	85	140	200	309	412	531	833	1202
	12	9	16	26	46	62	102	146	225	301	387	608	877
	10	6	10	17	29	39	64	92	142	189	244	383	552
	8	3	6	9	16	22	37	53	82	109	140	221	318
	6	2	4	7	12	16	27	38	59	79	101	159	230
	4	1	2	4	7	10	16	23	36	48	62	98	141
	3	1	1	3	6	8	14	20	31	41	53	83	120
	2	1	1	3	5	7	11	17	26	34	44	70	100
	1	1	1	1	4	5	8	12	19	25	33	51	74
	1/0	1	1	1	3	4	7	10	16	21	27	43	63
	2/0	0	1	1	2	3	6	8	13	18	23	36	52
	3/0	0	1	1	1	3	5	7	11	15	19	30	43
	4/0	0	1	1	1	2	4	6	9	12	16	25	36
	250	0	0	1	1	1	3	5	7	10	13	20	29
	300	0	0	1	1	1	3	4	6	8	11	17	25
	350	0	0	1	1	1	2	3	5	7	10	15	22
400	0	0	1	1	1	2	3	5	7	8	13	20	
500	0	0	0	1	1	1	2	4	5	7	11	16	
600	0	0	0	1	1	1	1	3	4	6	9	13	
700	0	0	0	1	1	1	1	3	4	5	8	11	
750	0	0	0	0	1	1	1	3	4	5	7	11	
800	0	0	0	0	1	1	1	2	3	4	7	10	
900	0	0	0	0	1	1	1	2	3	4	6	9	
1000	0	0	0	0	1	1	1	1	3	4	6	8	

Reprinted with permission from NFPA 70-1999, National Electrical Code®, Copyright © 1998, National Fire Protection Association, Quincy, MA 02269. This reprinted material is not the complete and official position of the NFPA on the referenced subject, which is represented only by the standard in its entirety. National Electrical Code and NEC are registered trademarks of the National Fire Protection Association, Quincy, MA.

**Note:** This table is for concentric stranded conductors only. For compact stranded conductors, Table C8(A) should be used. \*Types RHH, RHW, and RHW-2 without outer covering.

**Robroy Conduit Pipe Fittings are manufactured in accordance with the provisions of the following specifications:**

**Galvanized Rigid Metal Conduit**

Underwriters' Laboratories, Inc. Standard UL-6  
American National Standards Institute, Inc. ANSI C80.1

**Electrical Metallic Tubing**

Underwriters' Laboratories, Inc. Standard UL-797  
American National Standards Institute, Inc. ANSI C80.3

**Aluminum Rigid Conduit**

Underwriters' Laboratories, Inc. Standard UL-6  
American National Standards Institute, Inc. ANSI C80.5

**NEMA – NEMRA – NMG Group–NAED Associates**

CSA APPROVED

• C 22.2 NO 45 • C22.2 NO 83



**ECN / KORNS**  
RACEWAY DIVISION

3159 Wilkes Power Plant Road  
Avinger, Texas 75630  
**Telephone:** 903-562-1342  
**Fax:** 903-562-1711