

INCANDESCENT LAMPHOLDERS

103-7/308/309/306/103

| | | |
|--------|------|-----------|
| Cat. # | | Approvals |
| Job | Type | |



APPLICATIONS

- Ideal for a wide variety of industrial and commercial applications as accent and general lighting

SPECIFICATIONS 308/309

- Die cast bullet series 175 watt maximum
- Open 308 Series is used indoors or aimed down outdoors. Provides shielding of PAR 38 lamps
- 309 Series has extension ring and weathertight lens. Improves shielding and allows universal aiming in wet locations
- NEW! 15 watt 120-277V LED unit available saves energy and maintenance - Bronze finish 50,000 hour typical life. 3,500K/253 lumens



- Multiple powder paint finishes

SPECIFICATIONS 306

- Cast aluminum housing with decorative "visor" styling. Designed for maximum heat dissipation for long lamp life
- Lens is thermal shock and impact resistant and mounted to cast door for easy service
- High temperature silicone gaskets seal housing and cushion lamp for all-weather protection
- Universal adjustable 1/2" NSPM threaded mounting arm with lock nut. Relamp without disturbing original aiming. Floating-end prong porcelain socket
- Factory wired for fast, easy installation
- Gray powder paint finish

LISTINGS

- Listed to UL1598 for use in wet locations

SPECIFICATIONS 103-7

- Cast aluminum lamp housing with 1/2" NPSM male swivel mounting arm. For all-weather protection
- Universal aiming with PAR 38 lamps
- Factory wired for fast, easy installation
- Gray, green and black powder paint finishes

LISTINGS

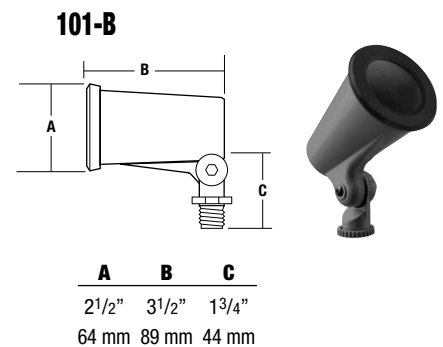
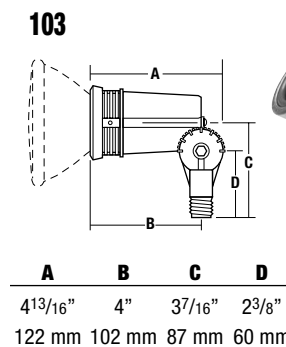
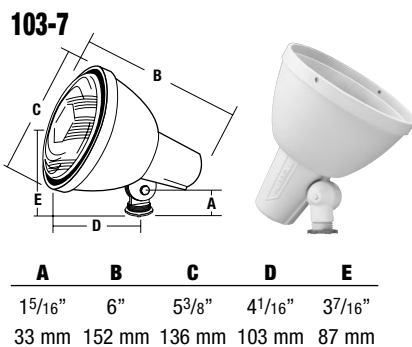
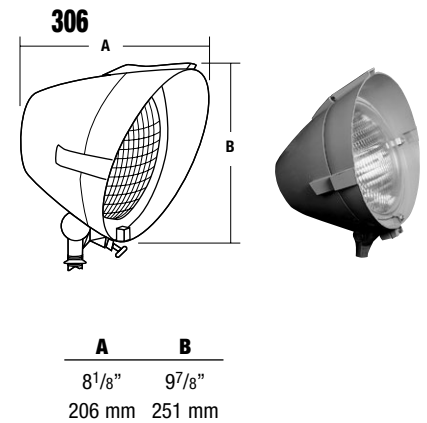
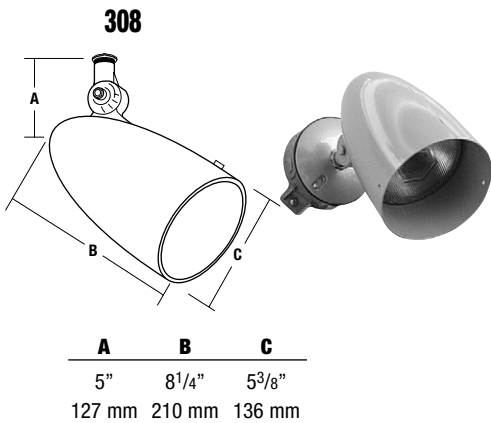
- Listed to UL1598 for use in wet locations

SPECIFICATIONS 103

- Industrial grade with silicone "O" ring gasket for 150 watt maximum PAR or R lamps
- Large 1/2" knuckle provides firm mounting
- Natural aluminum finish

SPECIFICATIONS 101B

- Economy PAR lampholder with front EPDM gasket for up aiming capability in wet locations
- 150W max., bronze finish



ORDERING INFORMATION

see back

Due to our continued efforts to improve our products, product specifications are subject to change without notice.



Hubbell Outdoor Lighting • 701 Millennium Boulevard • Greenville, SC 29607 • Phone: 864-678-1000
Due to our continued efforts to improve our products, product specifications are subject to change without notice.

© 2013 HUBBELL OUTDOOR LIGHTING, All Rights Reserved • For more information visit our website: www.hubbelloutdoor.com • Printed in USA

LAMPHOLDERS-SPEC 5/13

ORDERING INFORMATION

101-B

| Catalog Number | Description | Gasket | Finish | Weight lbs. (kg) |
|----------------|---------------------|----------|--------|------------------|
| 101-B | Unshielded, compact | Neoprene | Bronze | .5 (.23) |

103

| Catalog Number | Description | Gasket | Finish | Weight lbs. (kg) |
|----------------|-----------------------|----------|------------------|------------------|
| 103 | Unshielded, full size | Silicone | Natural Aluminum | .75 (.3) |

103-7 Series

| Catalog Number | Description | Gasket | Finish | Weight lbs. (kg) |
|----------------|----------------------|----------|--------|------------------|
| 103-7 | Shielded, bell shape | Silicone | Gray | 1.25 (0.6) |
| 103-71 | Shielded, bell shape | Silicone | Bronze | 1.25 (0.6) |
| 103-72 | Shielded, bell shape | Silicone | Black | 1.25 (0.6) |
| 103-73 | Shielded, bell shape | Silicone | Green | 1.25 (0.6) |
| 103-74 | Shielded, bell shape | Silicone | White | 1.25 (0.6) |

306

| Catalog Number | Description | Finish | Weight lbs. (kg) |
|----------------|--|--------|------------------|
| 306 | 1/2" Swivel knuckle mount, 12" leads, hinged door and lens | Gray | 3.375 (1.7) |

306 REPLACEMENT PARTS

| Catalog Number | Description |
|----------------|----------------|
| 1306C | Lens & Gasket |
| 207-5011-0264 | Bronze knuckle |

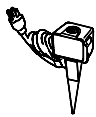
Note PAR 56 lampholders for 300w (maximum) incandescent or 500w quartz; Lamp not included

ACCESSORIES - Order Separately

| Catalog Number | Description |
|----------------|--|
| S-307 | Wire guard for PAR and R lamps, for use with 103 fixture |
| 1048LH | Lens holder for PAR/R 30 or A lamps, for use with 103-7 Series |
| 1052-C | Clear tempered lens for use with 1048LH holder |
| 1324 | Wire guard for PAR lamps, for use with 103-7 Series |
| 1308 | Plated wire guard for 306 (0.2lbs (.09kg)) |
| 1031-3 | Ground spike with splice box and 6' cord set - 1/2" top hub |
| S329B | 4" Round wet location outlet box with cover - 1/2" hubs |



1324



1031-3

Due to our continued efforts to improve our products, product specifications are subject to change without notice.



Hubbell Outdoor Lighting • 701 Millennium Boulevard • Greenville, SC 29607 • Phone: 864-678-1000

Due to our continued efforts to improve our products, product specifications are subject to change without notice.

© 2013 HUBBELL OUTDOOR LIGHTING, All Rights Reserved • For more information visit our website: www.hubbelloutdoor.com • Printed in USA

LAMP HOLDERS-SPEC 5/13

ORDERING INFORMATION

306

| Catalog Number | Description | Finish | Weight lbs. (kg) |
|---|-------------|--------------|------------------|
| Damp Location Listed - Aim Down Outdoors¹ | | | |
| 308-M | 8 1/4" long | Gray | 2.25 (1) |
| 308-13-M | 8 1/4" long | Garden Green | 2.25 (1) |
| 308-14-M | 8 1/4" long | Matte Black | 2.25 (1) |
| Wet Location Listed - Universal Aiming² | | | |
| 309-ML | 9 7/8" long | Gray | 3 (1.4) |
| 309-13-ML | 9 7/8" long | Garden Green | 3 (1.4) |
| 309-14-ML | 9 7/8" long | Matte Black | 3 (1.4) |
| 309-VG-ML | 9 7/8" long | Verdi | 3 (1.4) |
| 309-M51-ML | 9 7/8" long | Dark Bronze | 3 (1.4) |
| 309-M54-ML | 9 7/8" long | White | 3 (1.4) |
| LED - Wet Location Listed - Universal Aiming - 15w | | | |
| 30910LEDML | 9 7/8" long | Bronze | 5 (2.2) |

1 Use medium base PAR 38 lamps or smaller, 150w maximum

2 Use PAR 38 or BR40 lamps, 150w maximum

ACCESSORIES - Order Separately

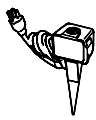
| Catalog Number | Description | Weight lbs. (kg) |
|----------------------|--|------------------|
| 264 0097 9702 | Clear lens | .5 (0.2) |
| 1324 | Zinc-plated wire guard | .25 (0.1) |
| 309-S | Shield, 7" X 45°, black | 1.7 (0.8) |
| C-5 | Wall or tree box, 3 mounting lugs in body; 2 1/2" hubs in "L" shape layout, side access plate | .25 (.11) |
| S-329-B | Cast round box, 4", 6-sided 1/2" back hub (wall or ceiling) | .75 (.3) |
| NM-BC | Non-metallic high impact phenolic weatherproof box & cover, box is drilled at 180° for two burial cable connectors (included), allowing feed-through capability; gasketed cover has weathertight 1/2" hub; brass cover with screws; gray | |
| 1414-BOX | Cast iron box - two side hubs, one top (1/2"); heavy-duty; gray | .8 (.4) |
| 1031-3 | Cast spike with internal splice box, 1/2" NPSM hub for fixture & 6' #18/3 grounded cord set; gray | 1.75 (.8) |



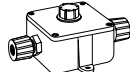
1324



309-S



1031-3



NM-BC

Due to our continued efforts to improve our products, product specifications are subject to change without notice.



Hubbell Outdoor Lighting • 701 Millennium Boulevard • Greenville, SC 29607 • Phone: 864-678-1000

Due to our continued efforts to improve our products, product specifications are subject to change without notice.

© 2013 HUBBELL OUTDOOR LIGHTING, All Rights Reserved • For more information visit our website: www.hubbelloutdoor.com • Printed in USA

LAMP HOLDERS - SPEC 5/13

INCANDESCENT LAMPHOLDERS

103-7/308/309/306/103

| | | |
|--------|------|-----------|
| Cat. # | | Approvals |
| Job | Type | |



APPLICATIONS

- Ideal for a wide variety of industrial and commercial applications as accent and general lighting

SPECIFICATIONS 308/309

- Die cast bullet series 175 watt maximum
- Open 308 Series is used indoors or aimed down outdoors. Provides shielding of PAR 38 lamps
- 309 Series has extension ring and weathertight lens. Improves shielding and allows universal aiming in wet locations
- NEW! 15 watt 120-277V LED unit available saves energy and maintenance - Bronze finish 50,000 hour typical life. 3,500K/253 lumens



- Multiple powder paint finishes

SPECIFICATIONS 306

- Cast aluminum housing with decorative "visor" styling. Designed for maximum heat dissipation for long lamp life
- Lens is thermal shock and impact resistant and mounted to cast door for easy service
- High temperature silicone gaskets seal housing and cushion lamp for all-weather protection
- Universal adjustable 1/2" NSPM threaded mounting arm with lock nut. Relamp without disturbing original aiming. Floating-end prong porcelain socket
- Factory wired for fast, easy installation
- Gray powder paint finish

LISTINGS

- Listed to UL1598 for use in wet locations

SPECIFICATIONS 103-7

- Cast aluminum lamp housing with 1/2" NPSM male swivel mounting arm. For all-weather protection
- Universal aiming with PAR 38 lamps
- Factory wired for fast, easy installation
- Gray, green and black powder paint finishes

LISTINGS

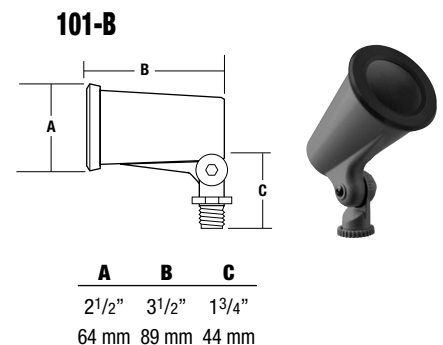
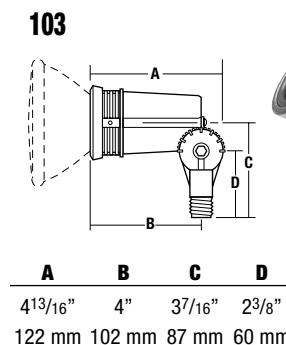
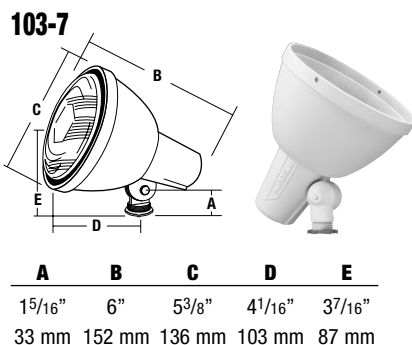
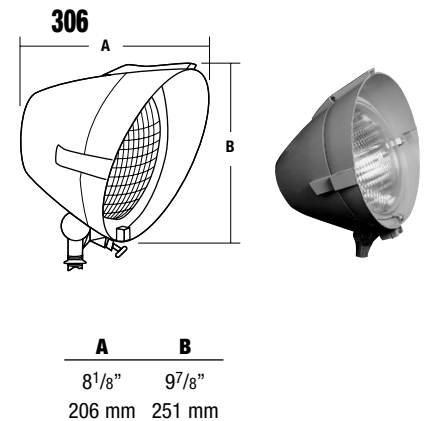
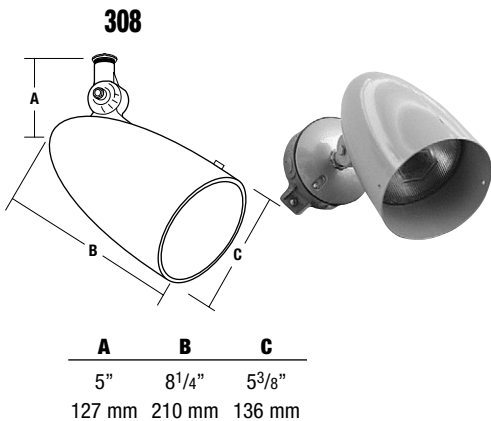
- Listed to UL1598 for use in wet locations

SPECIFICATIONS 103

- Industrial grade with silicone "O" ring gasket for 150 watt maximum PAR or R lamps
- Large 1/2" knuckle provides firm mounting
- Natural aluminum finish

SPECIFICATIONS 101B

- Economy PAR lampholder with front EPDM gasket for up aiming capability in wet locations
- 150W max., bronze finish



ORDERING INFORMATION

see back

Due to our continued efforts to improve our products, product specifications are subject to change without notice.



Hubbell Outdoor Lighting • 701 Millennium Boulevard • Greenville, SC 29607 • Phone: 864-678-1000

Due to our continued efforts to improve our products, product specifications are subject to change without notice.

© 2013 HUBBELL OUTDOOR LIGHTING, All Rights Reserved • For more information visit our website: www.hubbelloutdoor.com • Printed in USA

ORDERING INFORMATION

101-B

| Catalog Number | Description | Gasket | Finish | Weight lbs. (kg) |
|----------------|---------------------|----------|--------|------------------|
| 101-B | Unshielded, compact | Neoprene | Bronze | .5 (.23) |

103

| Catalog Number | Description | Gasket | Finish | Weight lbs. (kg) |
|----------------|-----------------------|----------|------------------|------------------|
| 103 | Unshielded, full size | Silicone | Natural Aluminum | .75 (.3) |

103-7 Series

| Catalog Number | Description | Gasket | Finish | Weight lbs. (kg) |
|----------------|----------------------|----------|--------|------------------|
| 103-7 | Shielded, bell shape | Silicone | Gray | 1.25 (0.6) |
| 103-71 | Shielded, bell shape | Silicone | Bronze | 1.25 (0.6) |
| 103-72 | Shielded, bell shape | Silicone | Black | 1.25 (0.6) |
| 103-73 | Shielded, bell shape | Silicone | Green | 1.25 (0.6) |
| 103-74 | Shielded, bell shape | Silicone | White | 1.25 (0.6) |

306

| Catalog Number | Description | Finish | Weight lbs. (kg) |
|----------------|--|--------|------------------|
| 306 | 1/2" Swivel knuckle mount, 12" leads, hinged door and lens | Gray | 3.375 (1.7) |

306 REPLACEMENT PARTS

| Catalog Number | Description |
|----------------|----------------|
| 1306C | Lens & Gasket |
| 207-5011-0264 | Bronze knuckle |

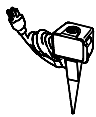
Note PAR 56 lampholders for 300w (maximum) incandescent or 500w quartz; Lamp not included

ACCESSORIES - Order Separately

| Catalog Number | Description |
|----------------|--|
| S-307 | Wire guard for PAR and R lamps, for use with 103 fixture |
| 1048LH | Lens holder for PAR/R 30 or A lamps, for use with 103-7 Series |
| 1052-C | Clear tempered lens for use with 1048LH holder |
| 1324 | Wire guard for PAR lamps, for use with 103-7 Series |
| 1308 | Plated wire guard for 306 (0.2lbs (.09kg)) |
| 1031-3 | Ground spike with splice box and 6' cord set - 1/2" top hub |
| S329B | 4" Round wet location outlet box with cover - 1/2" hubs |



1324



1031-3

Due to our continued efforts to improve our products, product specifications are subject to change without notice.



Hubbell Outdoor Lighting • 701 Millennium Boulevard • Greenville, SC 29607 • Phone: 864-678-1000

Due to our continued efforts to improve our products, product specifications are subject to change without notice.

© 2013 HUBBELL OUTDOOR LIGHTING, All Rights Reserved • For more information visit our website: www.hubbelloutdoor.com • Printed in USA

LAMP HOLDERS-SPEC 5/13

ORDERING INFORMATION

306

| Catalog Number | Description | Finish | Weight lbs. (kg) |
|---|-------------|--------------|------------------|
| Damp Location Listed - Aim Down Outdoors¹ | | | |
| 308-M | 8 1/4" long | Gray | 2.25 (1) |
| 308-13-M | 8 1/4" long | Garden Green | 2.25 (1) |
| 308-14-M | 8 1/4" long | Matte Black | 2.25 (1) |
| Wet Location Listed - Universal Aiming² | | | |
| 309-ML | 9 7/8" long | Gray | 3 (1.4) |
| 309-13-ML | 9 7/8" long | Garden Green | 3 (1.4) |
| 309-14-ML | 9 7/8" long | Matte Black | 3 (1.4) |
| 309-VG-ML | 9 7/8" long | Verdi | 3 (1.4) |
| 309-M51-ML | 9 7/8" long | Dark Bronze | 3 (1.4) |
| 309-M54-ML | 9 7/8" long | White | 3 (1.4) |
| LED - Wet Location Listed - Universal Aiming - 15w | | | |
| 30910LEDML | 9 7/8" long | Bronze | 5 (2.2) |

1 Use medium base PAR 38 lamps or smaller, 150w maximum

2 Use PAR 38 or BR40 lamps, 150w maximum

ACCESSORIES - Order Separately

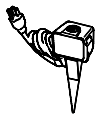
| Catalog Number | Description | Weight lbs. (kg) |
|----------------------|--|------------------|
| 264 0097 9702 | Clear lens | .5 (0.2) |
| 1324 | Zinc-plated wire guard | .25 (0.1) |
| 309-S | Shield, 7" X 45°, black | 1.7 (0.8) |
| C-5 | Wall or tree box, 3 mounting lugs in body; 2 1/2" hubs in "L" shape layout, side access plate | .25 (.11) |
| S-329-B | Cast round box, 4", 6-sided 1/2" back hub (wall or ceiling) | .75 (.3) |
| NM-BC | Non-metallic high impact phenolic weatherproof box & cover, box is drilled at 180° for two burial cable connectors (included), allowing feed-through capability; gasketed cover has weathertight 1/2" hub; brass cover with screws; gray | |
| 1414-BOX | Cast iron box - two side hubs, one top (1/2"); heavy-duty; gray | .8 (.4) |
| 1031-3 | Cast spike with internal splice box, 1/2" NPSM hub for fixture & 6' #18/3 grounded cord set; gray | 1.75 (.8) |



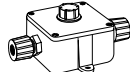
1324



309-S



1031-3



NM-BC

Due to our continued efforts to improve our products, product specifications are subject to change without notice.



Hubbell Outdoor Lighting • 701 Millennium Boulevard • Greenville, SC 29607 • Phone: 864-678-1000

Due to our continued efforts to improve our products, product specifications are subject to change without notice.

© 2013 HUBBELL OUTDOOR LIGHTING, All Rights Reserved • For more information visit our website: www.hubbelloutdoor.com • Printed in USA

LAMP HOLDERS-SPEC 5/13