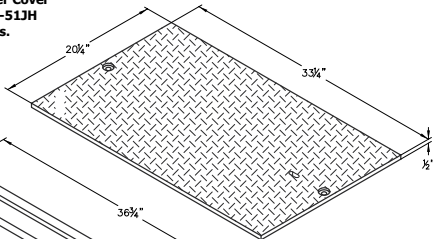


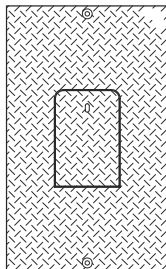
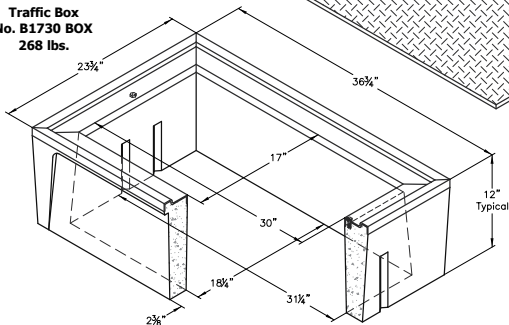
TRAFFIC UTILITY & TRAFFIC VALVE BOXES

Traffic Box
Caltrans No. 6T State Specs

**Steel Checker Cover
No. B1730-51JH
111 lbs.**



**Traffic Box
No. B1730 BOX
268 lbs.**



B1730-51GH

A high density reinforced concrete box with non-setting shoulders positioned to maintain grade and facilitate back filling. Head-Head Bolts are included with Box. Approximate dimensions and weight shown.

Oldcastle Ordering Code	Item	Approx. Shipping Weight	Description
B1730BOX	BOX	268 lbs.	B1730 Utility Box (17" x 30") H/20 Loading w/ Bolts - 6 per pallet
B1730-51JH	COVER	111 lbs.	Steel Checker Plate, H/20, Bolt Down
B1730-51JHG	COVER	221 lbs.	Galvanized Steel Checker Plate, H/20, Bolt Down (black in color)
B1730-51GH	COVER	112 lbs.	Steel Checker Plate, H/20 with 8" x 12" Reading Lid (silver in color)
B1730x12	EXTENSION	250 lbs.	12" Reinforced Concrete H/20 Loading - 6 per pallet
B36SL	SLAB	108 lbs.	Reinforced Concrete (20" x 34")

Galvanizing available on all steel covers.



Oldcastle Enclosure Solutions

Phone: (800) 735-5566 Fax: (800) 486 6806

Copyright © 2017 Oldcastle, Inc.

B1730 BOX

FILE NAME: B1730_...ISO

ISSUE DATE: January, 2011

OldcastleEnclosures.com

B1730 BOX H/20 LOADING

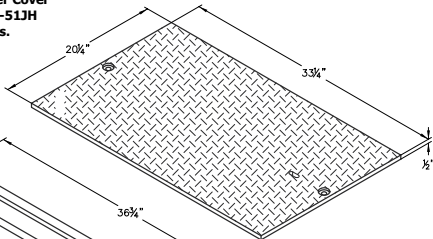
17" x 30"

CHRISTY

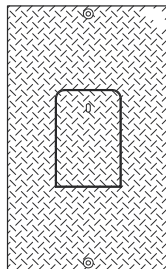
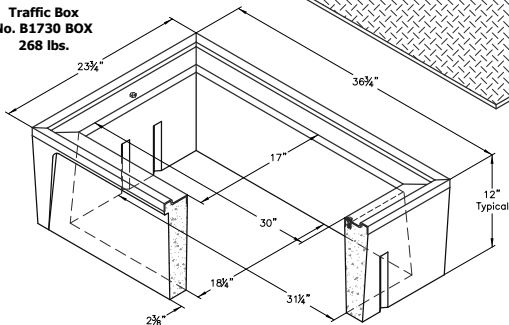
TRAFFIC UTILITY & TRAFFIC VALVE BOXES

Traffic Box
Caltrans No. 6T State Specs

**Steel Checker Cover
No. B1730-51JH
111 lbs.**



**Traffic Box
No. B1730 BOX
268 lbs.**



B1730-51GH

A high density reinforced concrete box with non-setting shoulders positioned to maintain grade and facilitate back filling. Head-Head Bolts are included with Box. Approximate dimensions and weight shown.

Oldcastle Ordering Code	Item	Approx. Shipping Weight	Description
B1730BOX	BOX	268 lbs.	B1730 Utility Box (17" x 30") H/20 Loading w/ Bolts - 6 per pallet
B1730-51JH	COVER	111 lbs.	Steel Checker Plate, H/20, Bolt Down
B1730-51JHG	COVER	221 lbs.	Galvanized Steel Checker Plate, H/20, Bolt Down (black in color)
B1730-51GH	COVER	112 lbs.	Steel Checker Plate, H/20 with 8" x 12" Reading Lid (silver in color)
B1730x12	EXTENSION	250 lbs.	12" Reinforced Concrete H/20 Loading - 6 per pallet
B36SL	SLAB	108 lbs.	Reinforced Concrete (20" x 34")

Galvanizing available on all steel covers.



Oldcastle Enclosure Solutions

Phone: (800) 735-5566 Fax: (800) 486 6806

Copyright © 2017 Oldcastle, Inc.

B1730 BOX

FILE NAME: B1730_...ISO

ISSUE DATE: January, 2011

OldcastleEnclosures.com

B1730 BOX H/20 LOADING

17" x 30"

CHRISTY