

FEATURES & SPECIFICATIONS

INTENDED USE

Provides maintenance-free general illumination for outdoor use in residential and commercial applications such as retail, education, multi-unit housing and storage. Ideal for lighting building facades, parking areas, walkways, garages, loading areas and any other outdoor space requiring reliable security lighting.

CONSTRUCTION

Sturdy weather-resistant aluminum housing with a dark bronze finish.

High performance LEDs are powered by an MVOLT driver providing 2720 and 3970 delivered lumens at 5000K. 100,000 hours LED lifespan based on IESNA LM-80-08 results and calculated per IESNA TM-21-11 methodology. Fixture is maintenance-free.

Rated for outdoor installations -40°C minimum ambient.

Adjustable Dusk-to-Dawn, photocell standard automatically turns light on at dusk and off at dawn for convenience and energy savings.

Photocell can be disabled by rotating the photocell cover.

OPTICS

Precision-molded acrylic lenses provide optimal luminaire spacing with Type 3 distribution.

Nighttime Friendly™ full cutoff above 90° angle, standard.

INSTALLATION

Wall or arm mount (mounting arm sold separately).

All mounting hardware included.

LISTINGS

UL Certified to US safety standards. C-UL Certified to Canadian safety standards. Wet location listed.

Tested in accordance with IESNA LM-79 and LM-80 standards. DLC qualified product.

WARRANTY

5-year limited warranty. Complete warranty terms located at

www.acuitybrands.com/CustomerResources/Terms_and_conditions.aspx

Actual performance may differ as a result of end-user environment and application.

All values are design or typical values, measured under laboratory conditions at 25 °C.

NOTE: Specifications are subject to change without notice.

Catalog Number
Notes
Type

Outdoor General Purpose

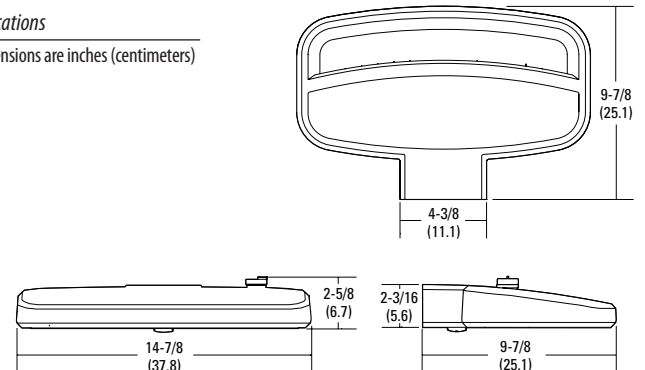
OLW

LED WALL PACK



Specifications

All dimensions are inches (centimeters)



ORDERING INFORMATION

For shortest lead times, configure products using **bolded options**.

Example: OLW 23

Series	Lumens / Color temperature (CCT)	Voltage	Features	Finish
OLW LED Wall Light	23 2720 delivered lumens / 5000K ¹ 31 3970 delivered lumens / 5000K ¹	(blank) MVOLT (120V-277V)	(blank) Photocell included	(blank) DDB Dark Bronze

Accessories: Order as separate catalog number.

OMA 18 DDB U 18" Steel mounting arm

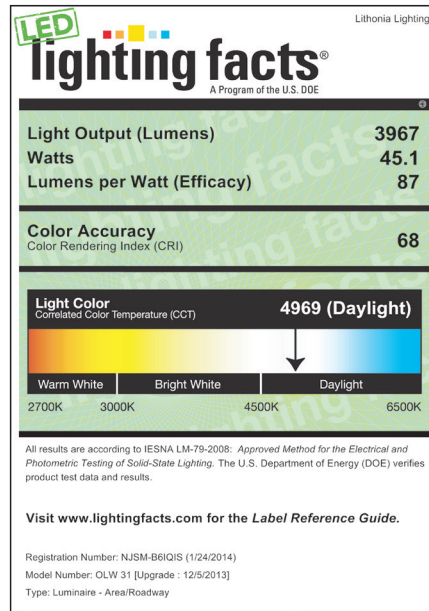
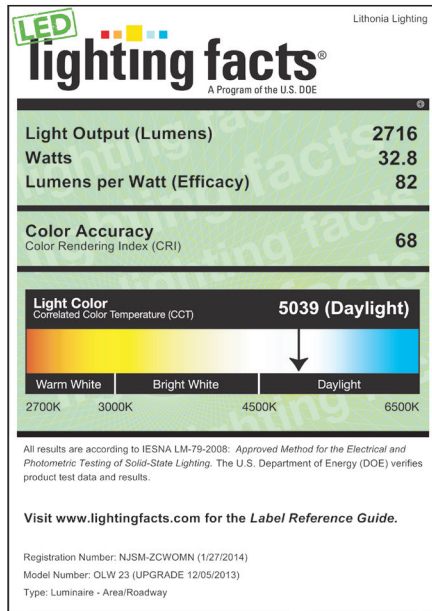
Notes

1 Correlated Color Temperature (CCT) shown is nominal per ANSI C78,377-2008.

OLW LED Wall Light

PHOTOMETRICS

Full photometric data report available within 2 weeks from request. Consult factory.
Tested in accordance with IESNA LM-79 and LM-80 standards.



FEATURES & SPECIFICATIONS

INTENDED USE

Provides maintenance-free general illumination for outdoor use in residential and commercial applications such as retail, education, multi-unit housing and storage. Ideal for lighting building facades, parking areas, walkways, garages, loading areas and any other outdoor space requiring reliable security lighting.

CONSTRUCTION

Sturdy weather-resistant aluminum housing with a dark bronze finish.

High performance LEDs are powered by an MVOLT driver providing 2720 and 3970 delivered lumens at 5000K. 100,000 hours LED lifespan based on IESNA LM-80-08 results and calculated per IESNA TM-21-11 methodology. Fixture is maintenance-free.

Rated for outdoor installations -40°C minimum ambient.

Adjustable Dusk-to-Dawn, photocell standard automatically turns light on at dusk and off at dawn for convenience and energy savings.

Photocell can be disabled by rotating the photocell cover.

OPTICS

Precision-molded acrylic lenses provide optimal luminaire spacing with Type 3 distribution.

Nighttime Friendly™ full cutoff above 90° angle, standard.

INSTALLATION

Wall or arm mount (mounting arm sold separately).

All mounting hardware included.

LISTINGS

UL Certified to US safety standards. C-UL Certified to Canadian safety standards. Wet location listed.

Tested in accordance with IESNA LM-79 and LM-80 standards. DLC qualified product.

WARRANTY

5-year limited warranty. Complete warranty terms located at

www.acuitybrands.com/CustomerResources/Terms_and_conditions.aspx

Actual performance may differ as a result of end-user environment and application.

All values are design or typical values, measured under laboratory conditions at 25 °C.

NOTE: Specifications are subject to change without notice.

Catalog Number
Notes
Type

Outdoor General Purpose

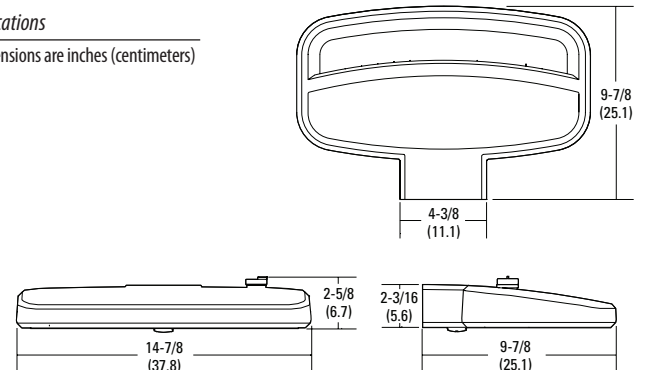
OLW

LED WALL PACK



Specifications

All dimensions are inches (centimeters)



ORDERING INFORMATION

For shortest lead times, configure products using **bolded options**.

Example: OLW 23

Series	Lumens / Color temperature (CCT)	Voltage	Features	Finish
OLW LED Wall Light	23 2720 delivered lumens / 5000K ¹ 31 3970 delivered lumens / 5000K ¹	(blank) MVOLT (120V-277V)	(blank) Photocell included	(blank) DDB Dark Bronze

Accessories: Order as separate catalog number.

OMA 18 DDB U 18" Steel mounting arm

Notes

1 Correlated Color Temperature (CCT) shown is nominal per ANSI C78,377-2008.

OLW LED Wall Light

PHOTOMETRICS

Full photometric data report available within 2 weeks from request. Consult factory.
Tested in accordance with IESNA LM-79 and LM-80 standards.

