

CSA, ULI

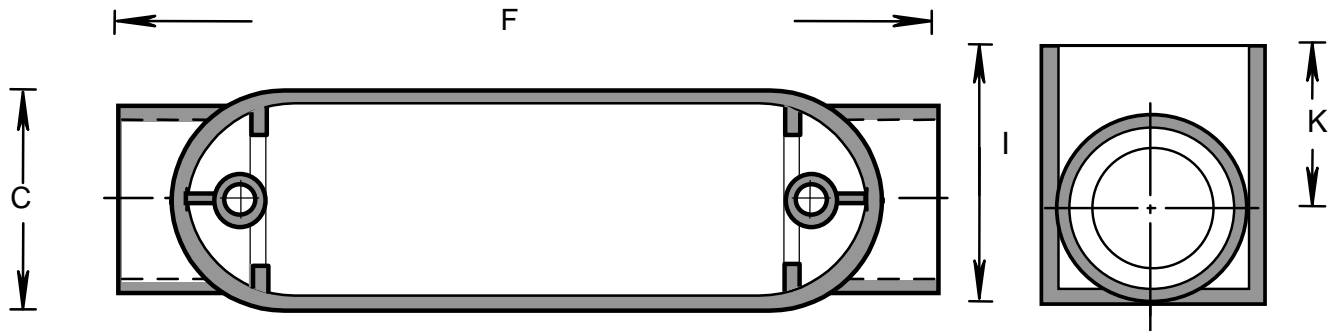
RIGID PVC CONDUIT FITTINGS - KRALOY

ISSUE DATE:  
DATE D'EMISSION: 2004 05 15

TYPE "C" ACCESS FITTINGS

SUPERCEDES:  
REPLACE: 2001 06 30

2



PRODUCT CODE	PART NUMBER	NOMINAL SIZE		C		F		I		K	
		(in)	(mm)	(in)	(mm)	(in)	(mm)	(in)	(mm)	(in)	(mm)
078116	C05	1/2	16	1.312	33	4.843	123	1.500	38	0.883	22
078117	C07	3/4	21	1.500	38	5.640	143	1.625	41	0.920	23
078118	C10	1	27	1.750	44	6.743	171	2.010	51	1.188	30
078119	C12	1 1/4	35	2.450	62	8.409	214	2.510	64	1.359	35
078120	C15	1 1/2	41	2.468	63	8.839	225	2.520	64	1.360	35
078121	C20	2	53	3.190	81	10.880	276	4.535	115	1.970	50
078122	C25	2 1/2	63	4.500	114	14.600	371	6.240	158	2.610	66
078123	C30	3	78	4.500	114	14.600	371	6.240	158	2.610	66
078124	C35	3 1/2	91	5.540	140	17.070	434	7.500	190	2.975	75
078125	C40	4	103	5.540	140	17.070	434	7.500	190	2.975	75
178148*	C10	1	27	1.750	44	6.743	171	2.010	51	1.188	30

PRODUCT CODE	PART NUMBER	NOMINAL SIZE		FILL VOLUME		INSERT CODE	SCREW CODE	REDUCER CODE	COVER CODE	GASKET CODE
		(in)	(mm)	(cu.in)	(cu.cm)					
078116	C05	1/2	16	4.1	67.2		072563		093106	072421
078117	C07	3/4	21	7.5	123.0		072564		093107	072422
078118	C10	1	27	13.0	213.2		072564		093108	072735
078119	C12	1 1/4	35	26.5	434.6		072564		093109	072736
078120	C15	1 1/2	41	38.9	638.0		072564		093110	072736
078121	C20	2	53	70.8	1161.2		072412		097966	097955
078122	C25	2 1/2	63	178.0	2919.2	072419	072420	097558	097957	097961
078123	C30	3	78	178.0	2919.2	072419	072420		097957	097961
078124	C35	3 1/2	91	338.4	5549.8	072419	072420	097991	097959	097963
078125	C40	4	103	338.4	5549.8	072419	072420		097959	097963
178148*	C10	1	27	13.0	213.2		072564		093108	072735

\* Bulk Packed for Pacific Circle

CSA, ULI

RIGID PVC CONDUIT FITTINGS - KRALOY

TYPE "C" ACCESS FITTINGS

ISSUE DATE:

DATE D'EMISSION: 2004 05 15

SUPERCEDES:

REPLACE: 2001 06 30

2

**MAXIMUM WIRE FILL**

<b>1/2" + 3/4" + 1"</b> <b>(12 + 21 + 27)</b>		<b>1 1/4"</b> <b>(35)</b>	<b>1 1/2"</b> <b>(41)</b>	<b>2"</b> <b>(53)</b>	<b>2 1/2"</b> <b>(63)</b>	<b>3"</b> <b>(78)</b>	<b>3 1/2"</b> <b>(91)</b>	<b>4"</b> <b>(103)</b>
MAX. WIRE FILL #6 AWG CONDUCTORS OR SMALLER FOR1": PULLING COMPOUND REQUIRED FOR #4 AWG	<b>U</b>	4.980" (126.5)	6.060" (153.9)	7.530" (191.3)	10.200" (259.1)	10.200" (259.1)	10.200" (259.1)	10.200" (259.1)
	<b>M</b>	#3	#1 /0	#2 /0	#250	#250	#250	#250
	<b>D</b>	5.375" (136.5)	6.125" (155.6)	8.125" (206.4)	10.500" (266.7)	10.441" (265.2)	11.875" (301.6)	11.875" (301.6)

U UL514 INVESTIGATION OF CONDUIT BODIES FOR THREE CONDUCTOR INSTALLATION WITH NO INVESTIGATION

M MAXIMUM WIRE FILL MARKED ON CONDUIT BODY

D DISTANCE BETWEEN HUBS ON CONDUIT BODY

Filename: KRALOY-04.doc  
Directory: \\Bersrvbdc\bergen\QC MANUAL  
Template: C:\Documents and Settings\joelau\Application  
Data\Microsoft\Templates\Normal.dot  
Title: SOCKET DIMENSION  
Subject:  
Author: joe lau  
Keywords:  
Comments:  
Creation Date: 12/22/2000 9:02 AM  
Change Number: 8  
Last Saved On: 5/9/2004 11:29 AM  
Last Saved By: Joe Lau  
Total Editing Time: 16 Minutes  
Last Printed On: 8/8/2005 12:38 PM  
As of Last Complete Printing  
Number of Pages: 2  
Number of Words: 333 (approx.)  
Number of Characters: 1,900 (approx.)

CSA, ULI

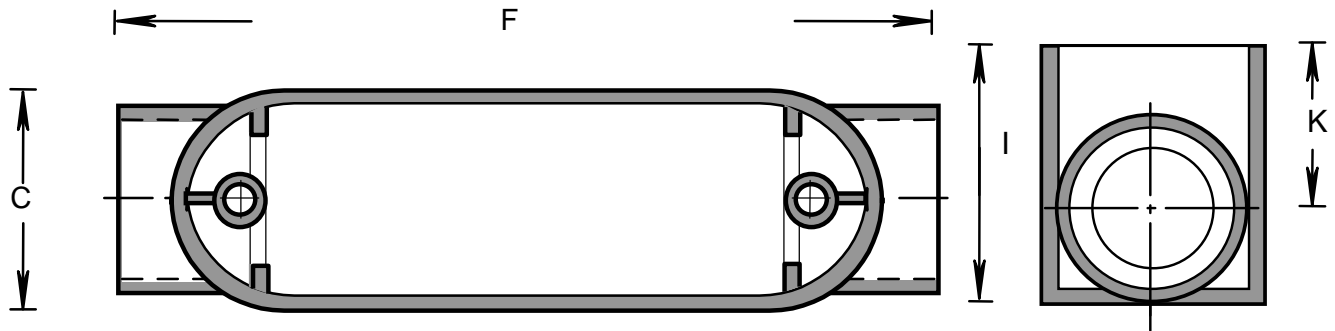
RIGID PVC CONDUIT FITTINGS - KRALOY

ISSUE DATE:  
DATE D'EMISSION: 2004 05 15

TYPE "C" ACCESS FITTINGS

SUPERCEDES:  
REPLACE: 2001 06 30

2



PRODUCT CODE	PART NUMBER	NOMINAL SIZE		C		F		I		K	
		(in)	(mm)	(in)	(mm)	(in)	(mm)	(in)	(mm)	(in)	(mm)
078116	C05	1/2	16	1.312	33	4.843	123	1.500	38	0.883	22
078117	C07	3/4	21	1.500	38	5.640	143	1.625	41	0.920	23
078118	C10	1	27	1.750	44	6.743	171	2.010	51	1.188	30
078119	C12	1 1/4	35	2.450	62	8.409	214	2.510	64	1.359	35
078120	C15	1 1/2	41	2.468	63	8.839	225	2.520	64	1.360	35
078121	C20	2	53	3.190	81	10.880	276	4.535	115	1.970	50
078122	C25	2 1/2	63	4.500	114	14.600	371	6.240	158	2.610	66
078123	C30	3	78	4.500	114	14.600	371	6.240	158	2.610	66
078124	C35	3 1/2	91	5.540	140	17.070	434	7.500	190	2.975	75
078125	C40	4	103	5.540	140	17.070	434	7.500	190	2.975	75
178148*	C10	1	27	1.750	44	6.743	171	2.010	51	1.188	30

PRODUCT CODE	PART NUMBER	NOMINAL SIZE		FILL VOLUME		INSERT CODE	SCREW CODE	REDUCER CODE	COVER CODE	GASKET CODE
		(in)	(mm)	(cu.in)	(cu.cm)					
078116	C05	1/2	16	4.1	67.2		072563		093106	072421
078117	C07	3/4	21	7.5	123.0		072564		093107	072422
078118	C10	1	27	13.0	213.2		072564		093108	072735
078119	C12	1 1/4	35	26.5	434.6		072564		093109	072736
078120	C15	1 1/2	41	38.9	638.0		072564		093110	072736
078121	C20	2	53	70.8	1161.2		072412		097966	097955
078122	C25	2 1/2	63	178.0	2919.2	072419	072420	097558	097957	097961
078123	C30	3	78	178.0	2919.2	072419	072420		097957	097961
078124	C35	3 1/2	91	338.4	5549.8	072419	072420	097991	097959	097963
078125	C40	4	103	338.4	5549.8	072419	072420		097959	097963
178148*	C10	1	27	13.0	213.2		072564		093108	072735

\* Bulk Packed for Pacific Circle

CSA, ULI

RIGID PVC CONDUIT FITTINGS - KRALOY

TYPE "C" ACCESS FITTINGS

ISSUE DATE:

DATE D'EMISSION: 2004 05 15

SUPERCEDES:

REPLACE: 2001 06 30

2

**MAXIMUM WIRE FILL**

<b>1/2" + 3/4" + 1"</b> <b>(12 + 21 + 27)</b>		<b>1 1/4"</b> <b>(35)</b>	<b>1 1/2"</b> <b>(41)</b>	<b>2"</b> <b>(53)</b>	<b>2 1/2"</b> <b>(63)</b>	<b>3"</b> <b>(78)</b>	<b>3 1/2"</b> <b>(91)</b>	<b>4"</b> <b>(103)</b>
MAX. WIRE FILL #6 AWG CONDUCTORS OR SMALLER FOR1": PULLING COMPOUND REQUIRED FOR #4 AWG	<b>U</b>	4.980" (126.5)	6.060" (153.9)	7.530" (191.3)	10.200" (259.1)	10.200" (259.1)	10.200" (259.1)	10.200" (259.1)
	<b>M</b>	#3	#1 /0	#2 /0	#250	#250	#250	#250
	<b>D</b>	5.375" (136.5)	6.125" (155.6)	8.125" (206.4)	10.500" (266.7)	10.441" (265.2)	11.875" (301.6)	11.875" (301.6)

U UL514 INVESTIGATION OF CONDUIT BODIES FOR THREE CONDUCTOR INSTALLATION WITH NO INVESTIGATION

M MAXIMUM WIRE FILL MARKED ON CONDUIT BODY

D DISTANCE BETWEEN HUBS ON CONDUIT BODY

Filename: KRALOY-04.doc  
Directory: \\Bersrvbdc\bergen\QC MANUAL  
Template: C:\Documents and Settings\joelau\Application  
Data\Microsoft\Templates\Normal.dot  
Title: SOCKET DIMENSION  
Subject:  
Author: joe lau  
Keywords:  
Comments:  
Creation Date: 12/22/2000 9:02 AM  
Change Number: 8  
Last Saved On: 5/9/2004 11:29 AM  
Last Saved By: Joe Lau  
Total Editing Time: 16 Minutes  
Last Printed On: 8/8/2005 12:38 PM  
As of Last Complete Printing  
Number of Pages: 2  
Number of Words: 333 (approx.)  
Number of Characters: 1,900 (approx.)