

DIMENSIONS SHOWN ARE FOR REFERENCE AND ARE SUBJECT TO CHANGE WITHOUT NOTICE

**Kraloy, a Division of Multi Fittings Corp.**  
under license

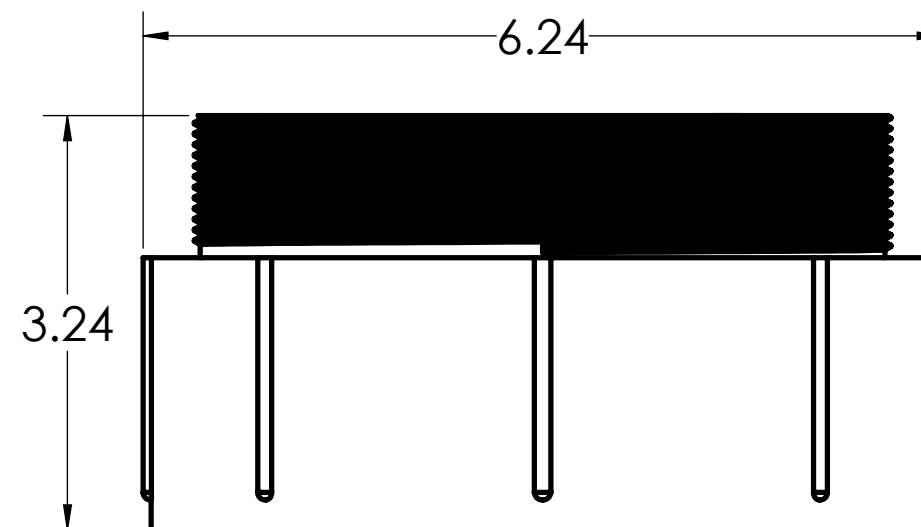
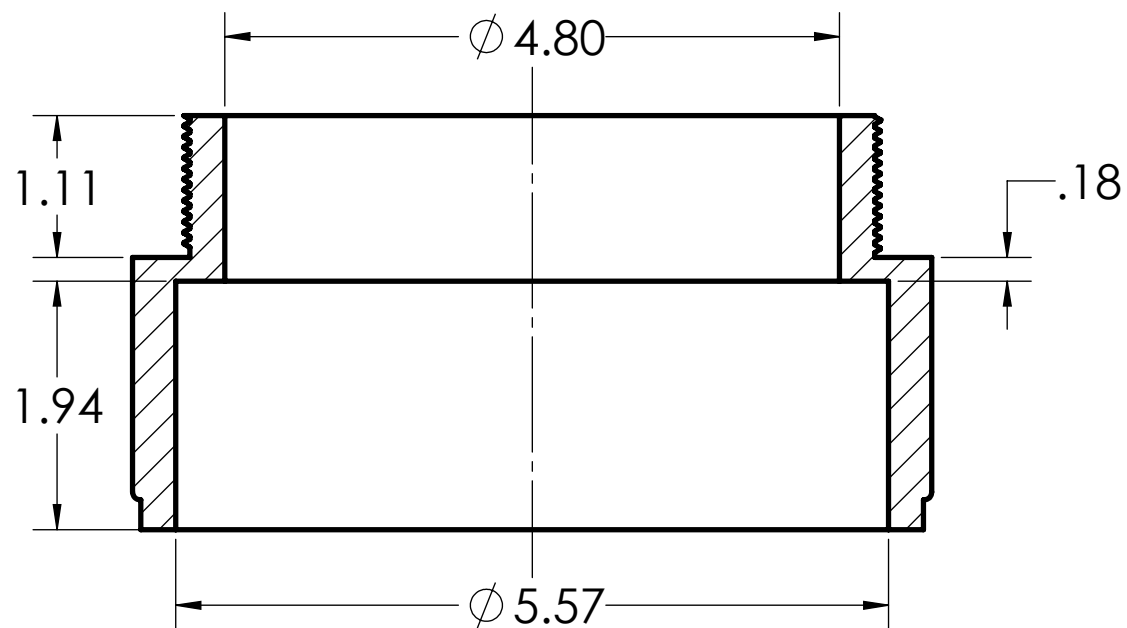
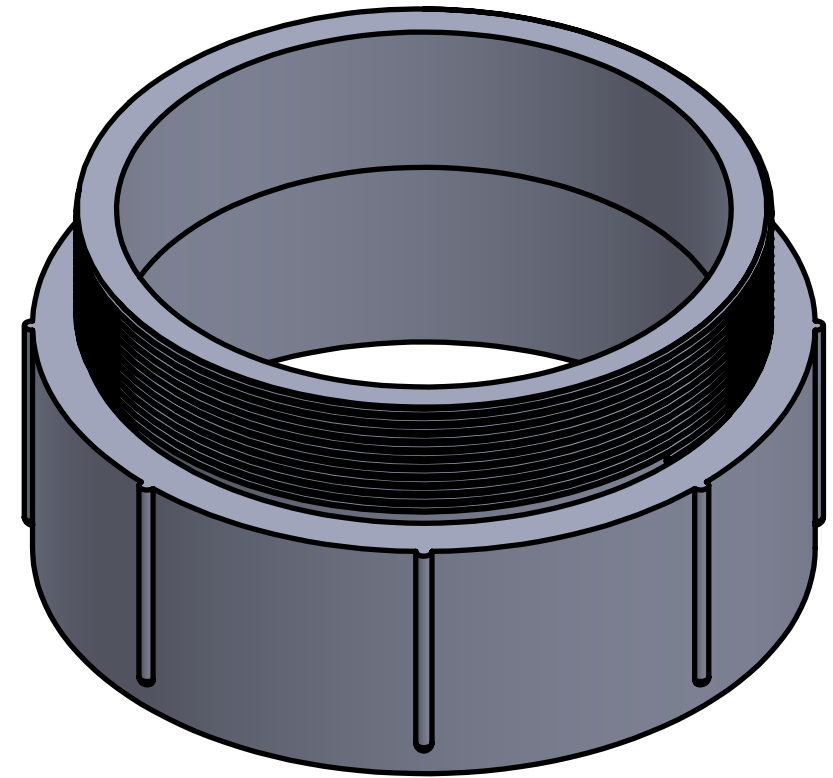
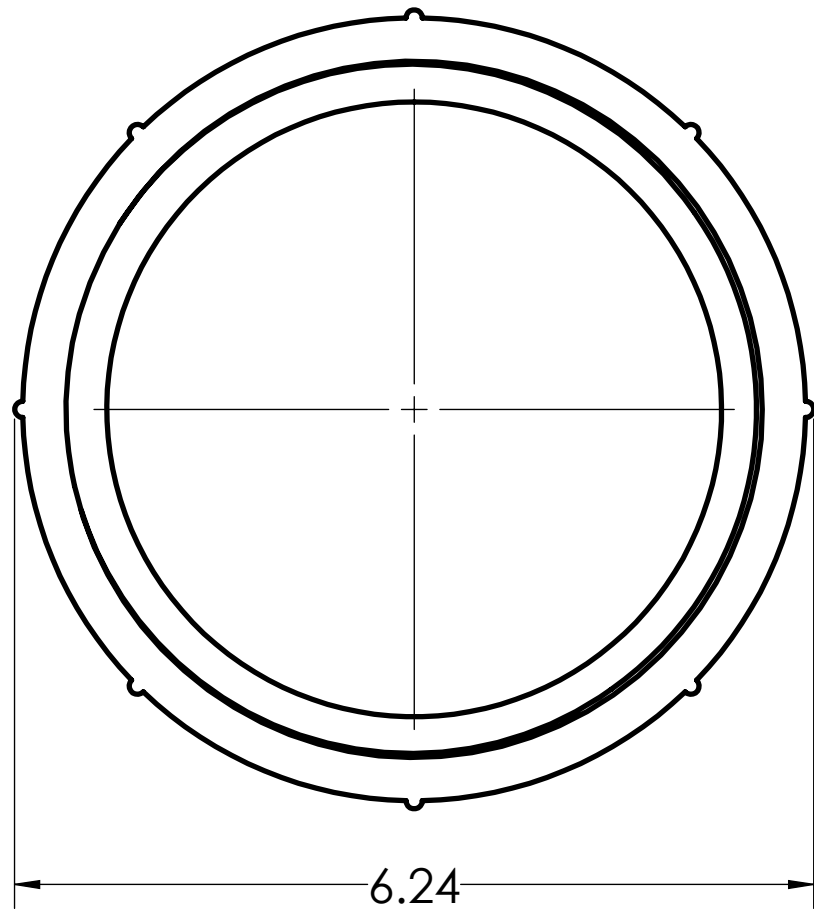
PART DESCRIPTION  
TA50 5" PVC TERMINAL ADPT KRALOY

PRODUCT CODE:  
078094

UNIT: INCHES UNLESS  
DUAL DIMENSION: INCH [METRIC]

SCALE:  
NTS

DRAWN: T.Q.



DIMENSIONS SHOWN ARE FOR REFERENCE AND ARE SUBJECT TO CHANGE WITHOUT NOTICE		
<b>Kraloy, a Division of Multi Fittings Corp.</b> under license		
PART DESCRIPTION TA50 5" PVC TERMINAL ADPT KRALOY		
PRODUCT CODE: 078094	UNIT: INCHES UNLESS DUAL DIMENSION: INCH [METRIC]	SCALE: NTS
DRAWN:	T.Q.	