

Bus Drop Support Grips

Single Eye, Universal Eye, Galvanized Steel.

IMPORTANT:

Read all breaking strength, safety and technical data relating to this product.

Refer to pages X-33 and X-34.



Safety Spring

Maximum Deflection Inches/Lbs (cm/N)	Approx. Breaking Strength Lbs.	Working Load Lbs.	Length* Inches (cm)	Diameter Inches (cm)	Model Lbs. (N)	Catalog Number
2¾" at 40 lbs. (6.98 at 178)	500	50	8.25" (20.95)	.75" (1.90)	40 lb. spring (178)	20302001
3½" at 80 lbs. (7.94 at 356)	850	85	8.25" (20.95)	1" (2.54)	80 lb. spring (356)	20302002

Note: Springs can be used with single eye grips by disassembling drawbar from coil, placing through eye and replacing drawbar.
*No load.



Single Eye, Wide Range

Cable Diameter Range Inches (cm)	Approx. Breaking Strength Lbs.	Working Load Lbs.	E Inches (cm)	M Inches (cm)	Catalog Number
.24"- .32" (.61-.81)	350	35	3" (7.62)	3.5" (8.89)	073041276**
.32"- .43" (.81-1.09)	450	45	4" (10.16)	4" (10.16)	073041277
.43"- .56" (1.09-1.42)	550	55	6" (15.24)	4.75" (12.06)	073041278
.56"- .73" (1.42-1.85)	1,000	100	7" (17.78)	6" (15.24)	073041279
.73"- .85" (1.85-2.16)	1,400	140	7" (17.78)	6.75" (17.14)	073041280
.85"-1.00" (2.16-2.54)	1,400	140	8" (20.32)	8" (20.32)	073041281
1.00"-1.25" (2.54-3.17)	1,500	150	9" (22.86)	9.5" (24.13)	073041282



Universal Eye, Wide Range

Cable Diameter Range Inches (cm)	Approx. Breaking Strength Lbs.	Working Load Lbs.	E Inches (cm)	M Inches (cm)	Catalog Number
.32"- .43" (.81-1.09)	450	45	10" (25.40)	4" (10.16)	073041284
.43"- .56" (1.09-1.42)	550	55	12" (30.48)	4.75" (12.06)	073041285
.56"- .73" (1.42-1.85)	1,000	100	13" (33.02)	6" (15.24)	073041286
.73"- .85" (1.85-2.16)	1,400	140	13" (33.02)	6.75" (17.14)	073041287
.85"-1.00" (2.16-2.54)	1,400	140	14" (35.56)	8" (20.32)	073041288
1.00"-1.25" (2.54-3.17)	1,500	150	15" (38.10)	9.5" (24.13)	073041289

Note: E-Eye length. M-Mesh length at nominal diameter.
**Item indicated is not UL listed.

Bus Drop Grips and Safety Springs

Kellems Bus Drop Grips are offered with either a single eye or universal bale attachment. The mesh is single weave galvanized steel with the patented wide range construction. They are suitable for indoor use only. Consult Technical Service for Stainless Steel Grips.

Application

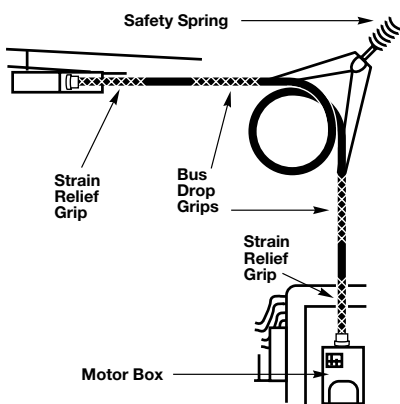
Bus Drop Grips provide a safe, easy and economical method to support flexible cord or bus drop cable at bus duct and other industrial areas.

Benefits

- Easily installed
- Absorb tension, vibration and pull with no cable damage
- Patented mesh construction

Safety Spring

Springs can be used with single eye grips by disassembling drawbar from coil, placing through eye and replacing drawbar.



Dimensions in Inches (mm)

Bus Drop Support Grips

Single Eye, Universal Eye, Galvanized Steel.

IMPORTANT:

Read all breaking strength, safety and technical data relating to this product.

Refer to pages X-33 and X-34.



Safety Spring

Maximum Deflection Inches/Lbs (cm/N)	Approx. Breaking Strength Lbs.	Working Load Lbs.	Length* Inches (cm)	Diameter Inches (cm)	Model Lbs. (N)	Catalog Number
2¾" at 40 lbs. (6.98 at 178)	500	50	8.25" (20.95)	.75" (1.90)	40 lb. spring (178)	20302001
3½" at 80 lbs. (7.94 at 356)	850	85	8.25" (20.95)	1" (2.54)	80 lb. spring (356)	20302002

Note: Springs can be used with single eye grips by disassembling drawbar from coil, placing through eye and replacing drawbar.
*No load.



Single Eye, Wide Range

Cable Diameter Range Inches (cm)	Approx. Breaking Strength Lbs.	Working Load Lbs.	E Inches (cm)	M Inches (cm)	Catalog Number
.24"- .32" (.61-.81)	350	35	3" (7.62)	3.5" (8.89)	073041276**
.32"- .43" (.81-1.09)	450	45	4" (10.16)	4" (10.16)	073041277
.43"- .56" (1.09-1.42)	550	55	6" (15.24)	4.75" (12.06)	073041278
.56"- .73" (1.42-1.85)	1,000	100	7" (17.78)	6" (15.24)	073041279
.73"- .85" (1.85-2.16)	1,400	140	7" (17.78)	6.75" (17.14)	073041280
.85"-1.00" (2.16-2.54)	1,400	140	8" (20.32)	8" (20.32)	073041281
1.00"-1.25" (2.54-3.17)	1,500	150	9" (22.86)	9.5" (24.13)	073041282



Universal Eye, Wide Range

Cable Diameter Range Inches (cm)	Approx. Breaking Strength Lbs.	Working Load Lbs.	E Inches (cm)	M Inches (cm)	Catalog Number
.32"- .43" (.81-1.09)	450	45	10" (25.40)	4" (10.16)	073041284
.43"- .56" (1.09-1.42)	550	55	12" (30.48)	4.75" (12.06)	073041285
.56"- .73" (1.42-1.85)	1,000	100	13" (33.02)	6" (15.24)	073041286
.73"- .85" (1.85-2.16)	1,400	140	13" (33.02)	6.75" (17.14)	073041287
.85"-1.00" (2.16-2.54)	1,400	140	14" (35.56)	8" (20.32)	073041288
1.00"-1.25" (2.54-3.17)	1,500	150	15" (38.10)	9.5" (24.13)	073041289

Note: E-Eye length. M-Mesh length at nominal diameter.
**Item indicated is not UL listed.

Bus Drop Grips and Safety Springs

Kellems Bus Drop Grips are offered with either a single eye or universal bale attachment. The mesh is single weave galvanized steel with the patented wide range construction. They are suitable for indoor use only. Consult Technical Service for Stainless Steel Grips.

Application

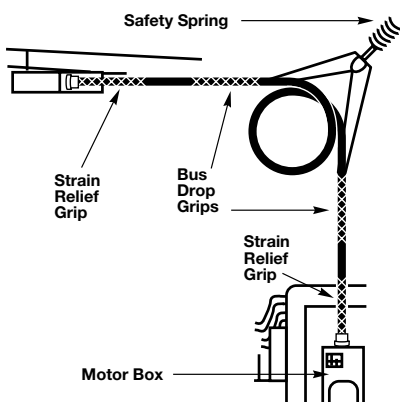
Bus Drop Grips provide a safe, easy and economical method to support flexible cord or bus drop cable at bus duct and other industrial areas.

Benefits

- Easily installed
- Absorb tension, vibration and pull with no cable damage
- Patented mesh construction

Safety Spring

Springs can be used with single eye grips by disassembling drawbar from coil, placing through eye and replacing drawbar.



Dimensions in Inches (mm)